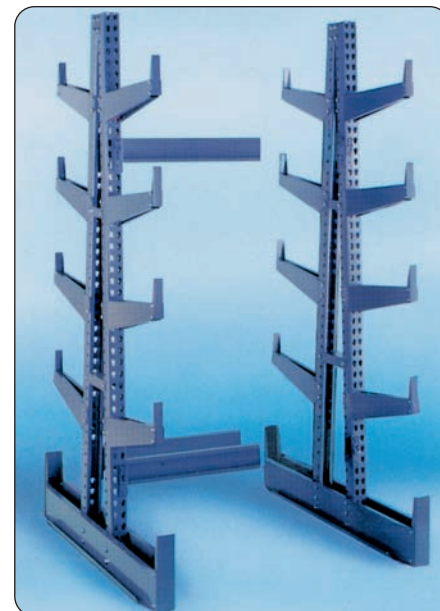
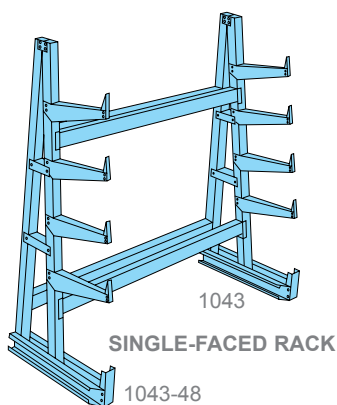


HEAVY DUTY BAR RACKS

THE INNOVATIVE, SPACE-SAVING ANSWER TO ORGANIZATION OF A WIDE RANGE OF LONG ITEMS, WITH A CAPACITY OF UP TO 12,000 LBS. PER UNIT! CHOOSE SINGLE OR DOUBLE-FACED DESIGNS IN 18 DIFFERENT SIZES FOR YOUR BEST APPLICATION. AVAILABLE IN THREE WIDTHS, THREE HEIGHTS AND TWO ARM LENGTHS - ALL ADJUSTABLE, AND DESIGNED FOR ECONOMICAL, COMMON UPRIGHT PERFORMANCE.

- IDEAL FOR LONG, DIFFICULT-TO-ORGANIZE ITEMS
- ORGANIZES AND PROTECTS VALUABLE BAR STOCK, PIPE, LUMBER, CONDUIT, STEEL ANGLE, TOOL STEEL AND MORE
- HIGH CAPACITY AND HIGH STRENGTH
- ADJUSTABLE ON 2" CENTERS
- 18" ARM HOLDS 1,000 LBS., 30" ARM HOLDS 500 LBS.,
- EACH FRAME UP TO 12,000 LBS.



NOTE: 8' HIGH UNITS HAVE 5 LEVELS; 10' AND 12' HIGH UNITS HAVE 6 AND 7 LEVELS RESPECTIVELY.

FOR ADDITIONAL ARMS, ORDER:

EXTRA 18" ARM: 1046-18

EXTRA 30" ARM: 1056-30

NOTE: BE SURE TO ORDER A RACK END TO FINISH EACH ROW.

HEAVY DUTY BAR RACKS

SINGLE-FACED 18" ARMS (UNIT DEPTH 36")				DOUBLE-FACED 18" ARMS (UNIT DEPTH 54")					
UNIT HEIGHT	WIDTH OF UNIT BAYS		RACK END	UNIT HEIGHT	WIDTH OF UNIT BAYS		RACK END		
	48"	72"	99"		48"	72"	99"		
8'-0"	1043-48	1043-72	1043-99	1043	8'-0"	1040-48	1040-72	1040-99	1040
10'-0"	1044-48	1044-72	1044-99	1044	10'-0"	1041-48	1041-72	1041-99	1041
12'-0"	1045-48	1045-72	1045-99	1045	12'-0"	1042-48	1042-72	1042-99	1042

SINGLE-FACED 30" ARMS (UNIT DEPTH 48")				DOUBLE-FACED 30" ARMS (UNIT DEPTH 78")					
UNIT HEIGHT	WIDTH OF UNIT BAYS		RACK END	UNIT HEIGHT	WIDTH OF UNIT BAYS		RACK END		
	48"	72"	99"		48"	72"	99"		
8'-0"	1053-48	1053-72	1053-99	1053	8'-0"	1050-48	1050-72	1050-99	1050
10'-0"	1054-48	1054-72	1054-99	1054	10'-0"	1051-48	1051-72	1051-99	1051
12'-0"	1055-48	1055-72	1055-99	1055	12'-0"	1052-48	1052-72	1052-99	1052

NOTE: BE SURE TO ORDER A RACK END TO FINISH EACH ROW.

NOTE: LIMIT 6 ARMS PER UPRIGHT. CAPACITY: 18" ARM-1,000 LBS. EACH; 30" ARM-500 LBS. EACH.



HAND LOADING AND RETRIEVAL IS FAST WITH EASY ACCESS FROM EITHER SIDE OF RACK.



POWER TRUCKS CAN LOAD HEAVIER ITEMS ON RACK WITH ACCESS FROM EITHER SIDE.

STANDARD COLOR - OFFICE GRAY. COLOR COORDINATING? REFER TO EQUIPTO COLOR CHART - INSIDE REAR COVER.