

# 218ASY

---

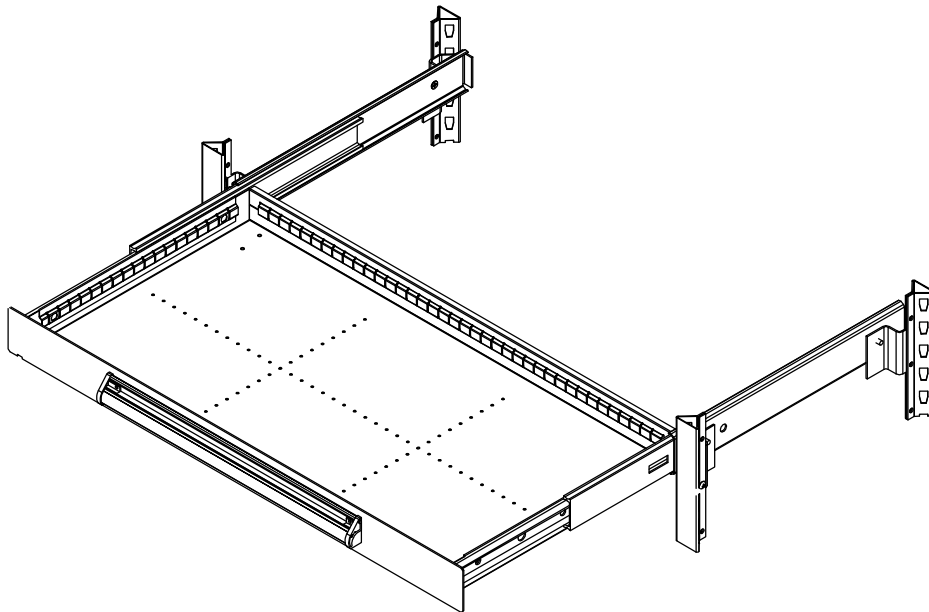
# EQUIPTO

---

NEW 'S' DESIGN  
36" / 48" SHELVING WIDE DRAWERS  
(200# & 400# CAPACITY)

## ASSEMBLY INSTRUCTIONS

READ INSTRUCTIONS BEFORE ASSEMBLING

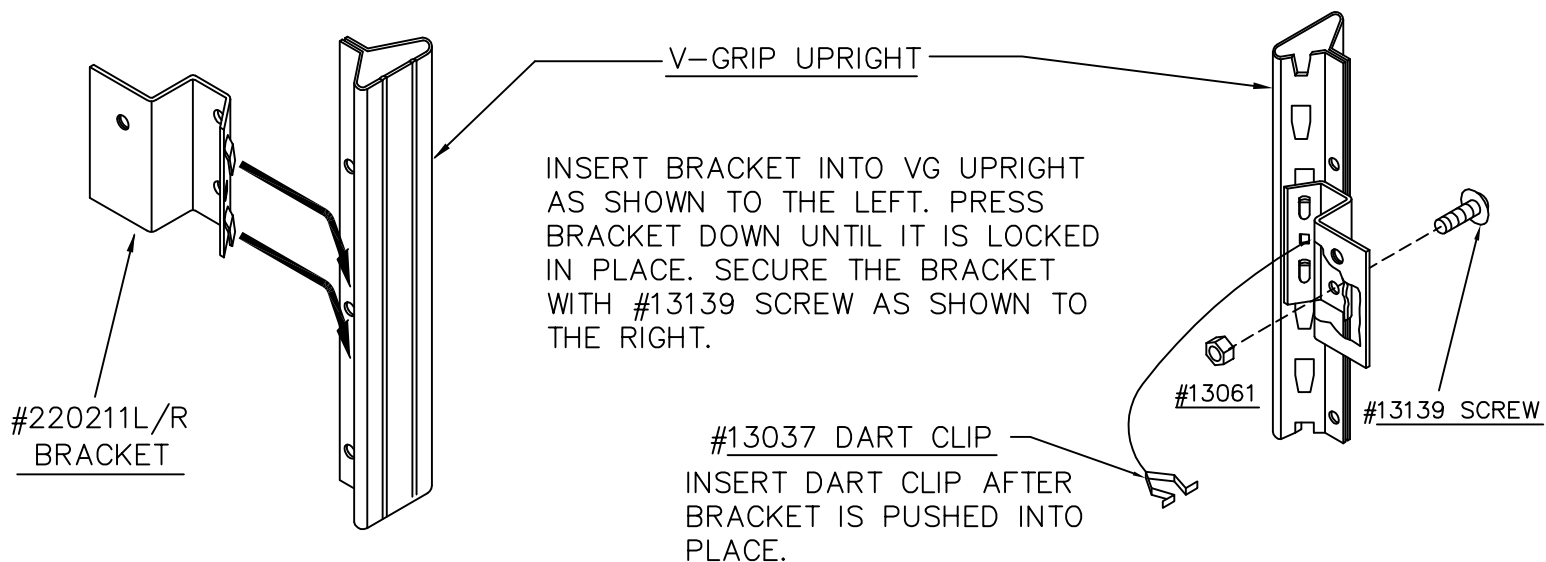


1

# POST AND BRACKET ASSEMBLY

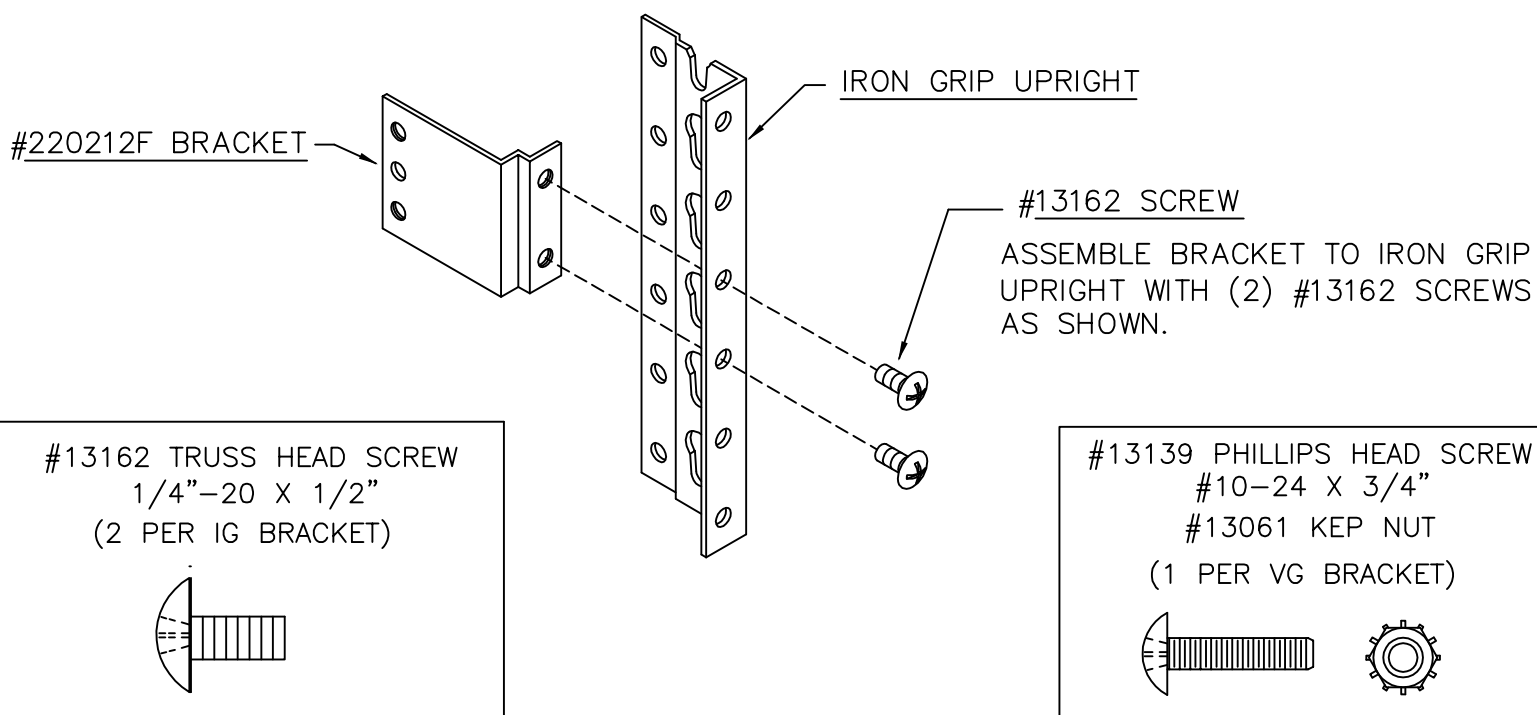
## A) V-GRIP POST BRACKET

INSERT 4 BRACKETS (2 LEFT-HAND, 2 RIGHT-HAND) ONTO UPRIGHTS AT SAME VERTICAL LOCATIONS SO THAT FLANGES ARE PARALLEL TO SHELVING ENDS.



## B) IRON GRIP POST BRACKET

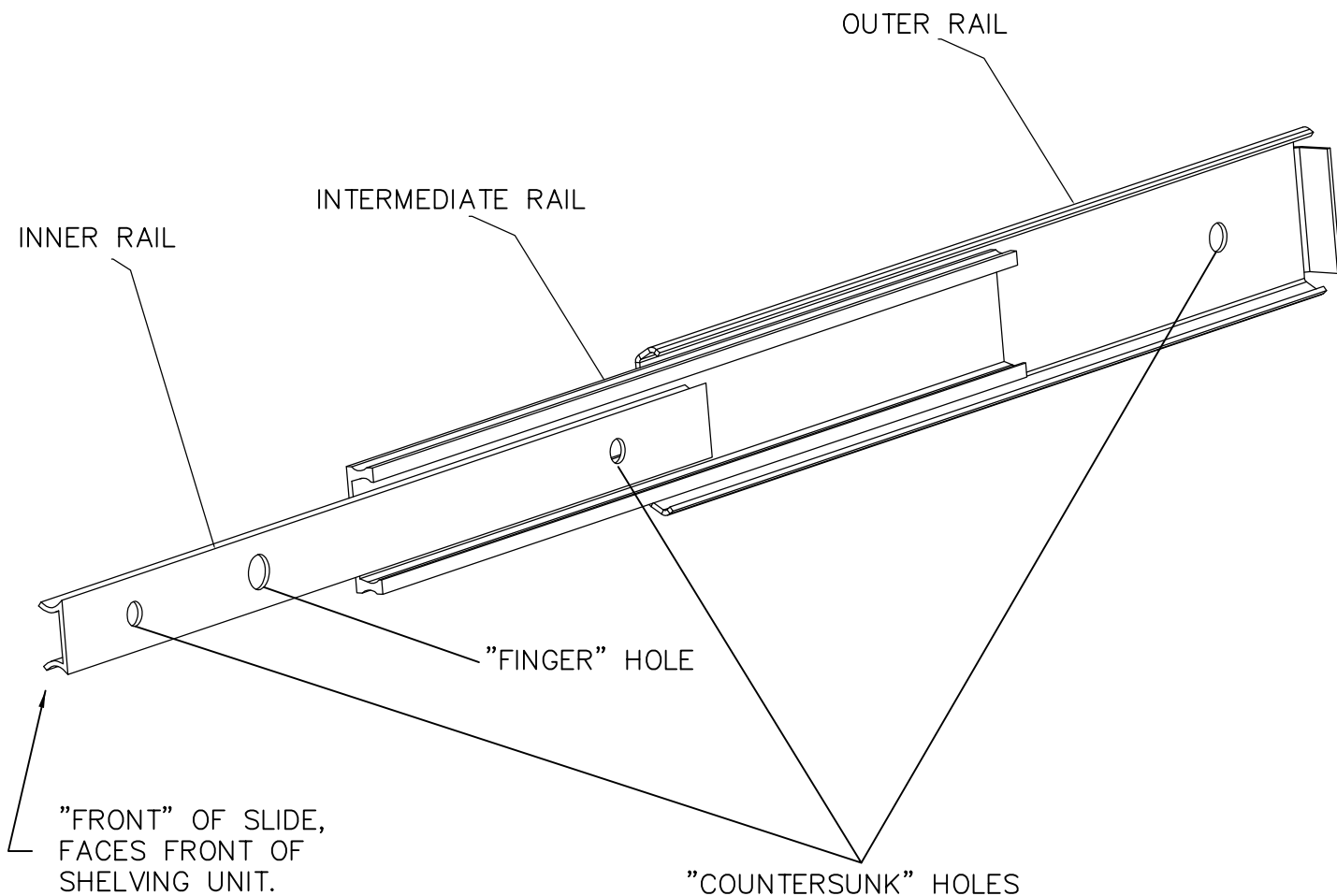
ASSEMBLE 4 BRACKETS ONTO UPRIGHTS AT SAME VERTICAL LOCATIONS SO THAT LONG FLANGES ARE PARALLEL TO SHELVING ENDS.



2

# ASSEMBLE SLIDE TO BRACKETS

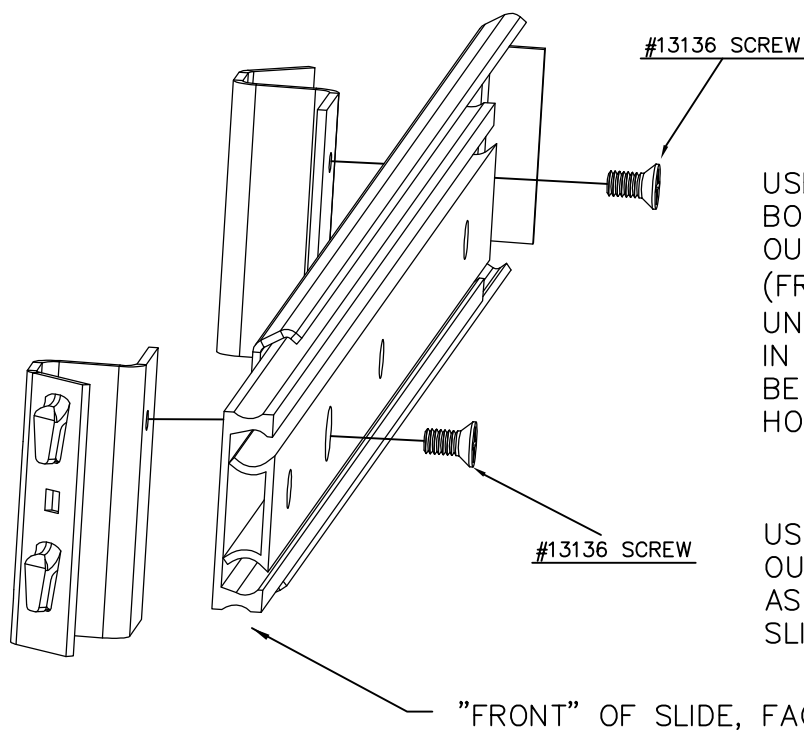
## A) SLIDE DETAIL AND COMPONENT IDENTIFICATION



200# CAPACITY SLIDES  
(2-1/4"H PROFILE)  
18"D - #18218  
24"D - #18224

400# CAPACITY SLIDES  
(2-3/4"H PROFILE)  
18"D - #18418  
24"D - #18424

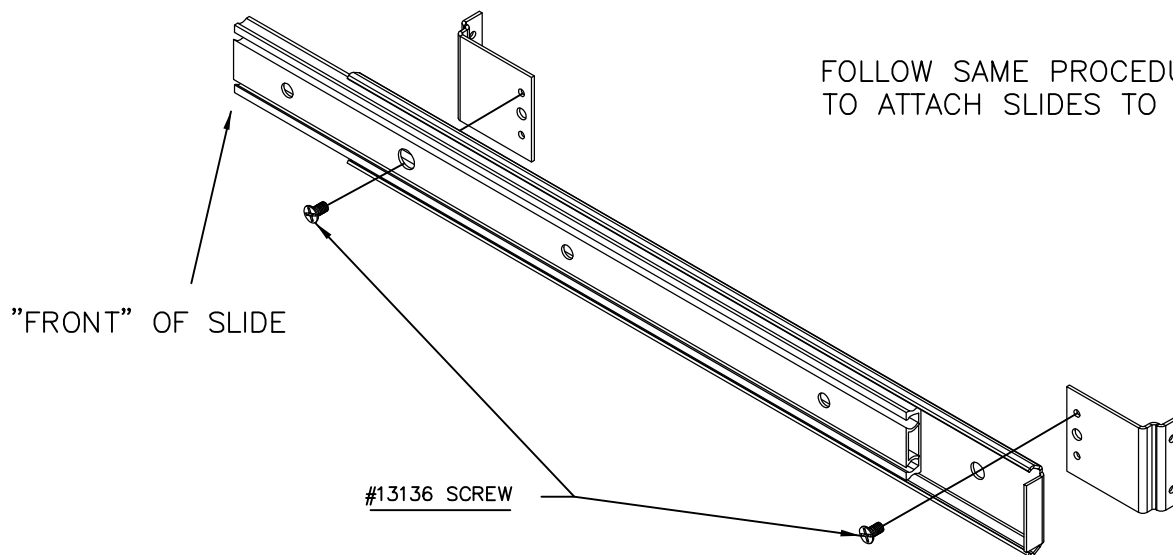
## B) V-GRIP ASSEMBLY



USE "FINGER" HOLE IN SLIDE TO PULL BOTH INNER AND INTERMEDIATE RAIL OUT A FEW INCHES TO HAVE ACCESS (FROM THE INSIDE OF THE SHELVING UNIT) TO THE COUNTERSUNK HOLES IN OUTER RAIL. THE FRONT HOLE WILL BE ACCESSED THROUGH THE FINGER HOLE.

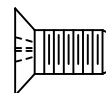
USING (2) #13136 SCREWS, FASTEN OUTER RAIL OF SLIDES TO BRACKETS AS SHOWN. REPEAT FOR OPPOSITE SLIDE.

## C) IRON GRIP ASSEMBLY



FOLLOW SAME PROCEDURE AS ABOVE TO ATTACH SLIDES TO BRACKETS.

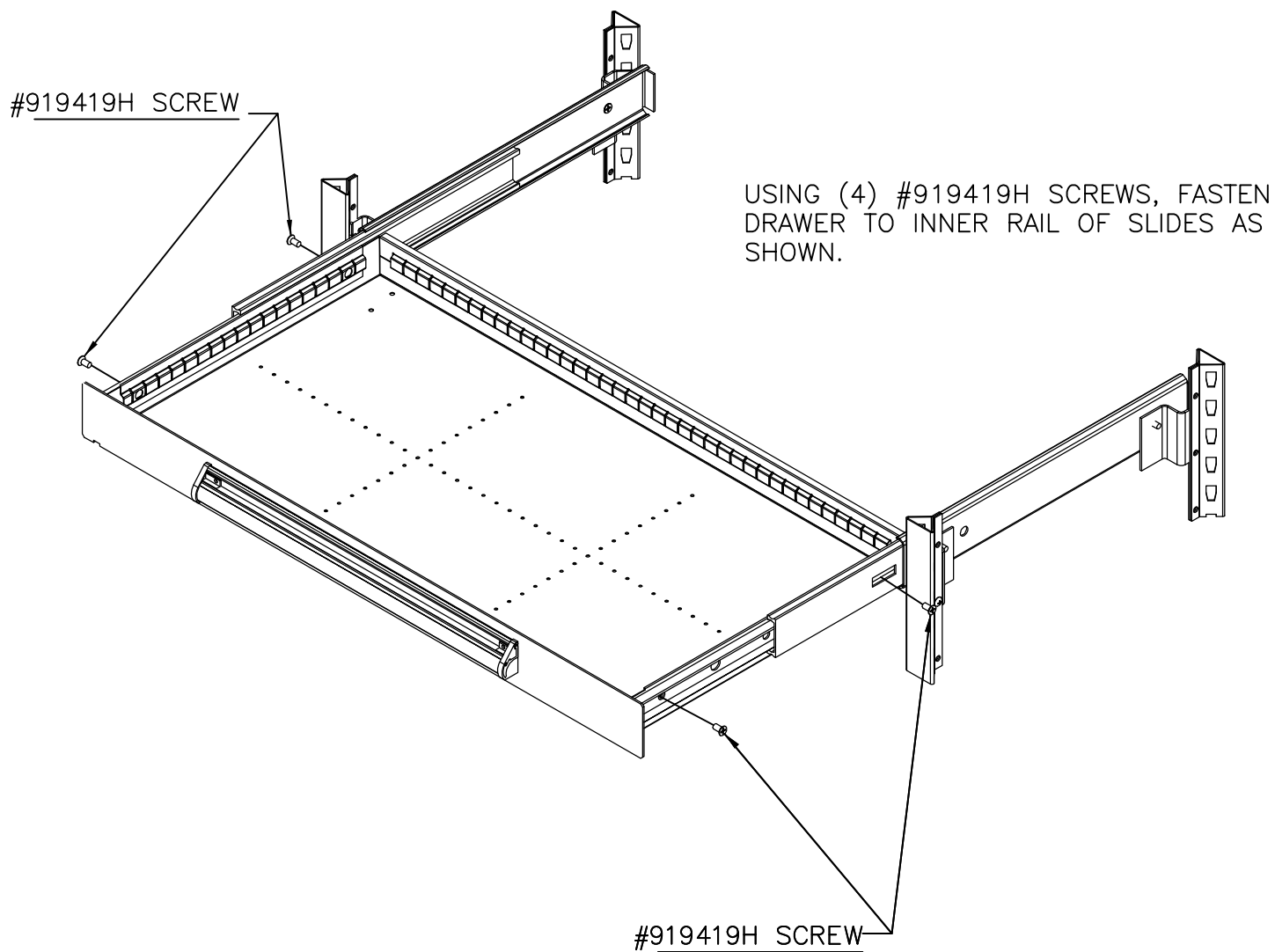
#13136 FLAT HEAD MACHINE SCREW  
1/4-20 x 1/2"  
(2 PER SLIDE)



3

# ASSEMBLE DRAWER TO SLIDES

USE "FINGER" HOLE TO PULL INNER RAIL COMPLETELY FORWARD TO HAVE ACCESS (FROM THE OUTSIDE OF THE SHELVING UNIT) TO THE COUNTERSUNK HOLES IN INNER RAIL. THE REAR COUNTERSUNK HOLE WILL BE ACCESSED THROUGH THE RECTANGULAR SLOT IN THE INTERMEDIATE RAIL.



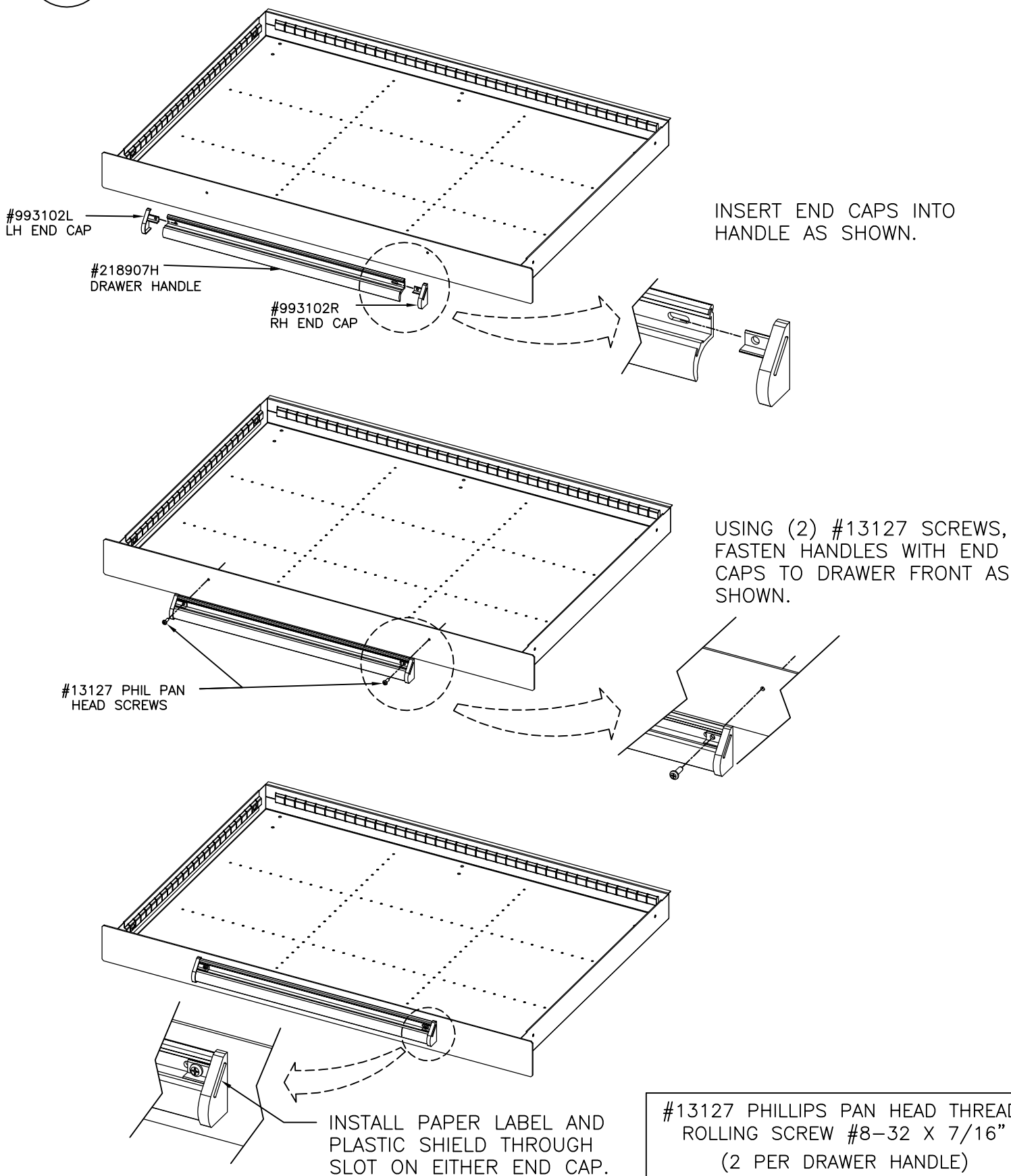
USING (4) #919419H SCREWS, FASTEN DRAWER TO INNER RAIL OF SLIDES AS SHOWN.

#919419H FLAT HEAD MACHINE SCREW  
10-24 X 3/8"  
(4 PER DRAWER)

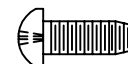


4

# DRAWER HANDLE ASSEMBLY



#13127 PHILLIPS PAN HEAD THREAD  
ROLLING SCREW #8-32 X 7/16"  
(2 PER DRAWER HANDLE)



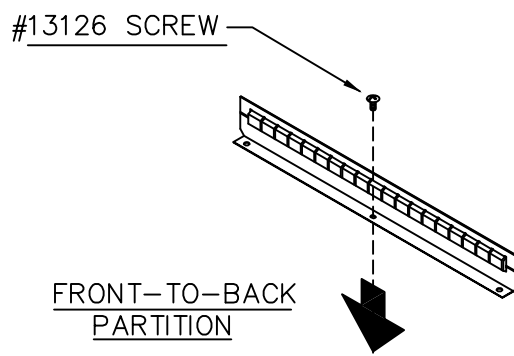
5

# PARTITION AND DIVIDER ASSEMBLY

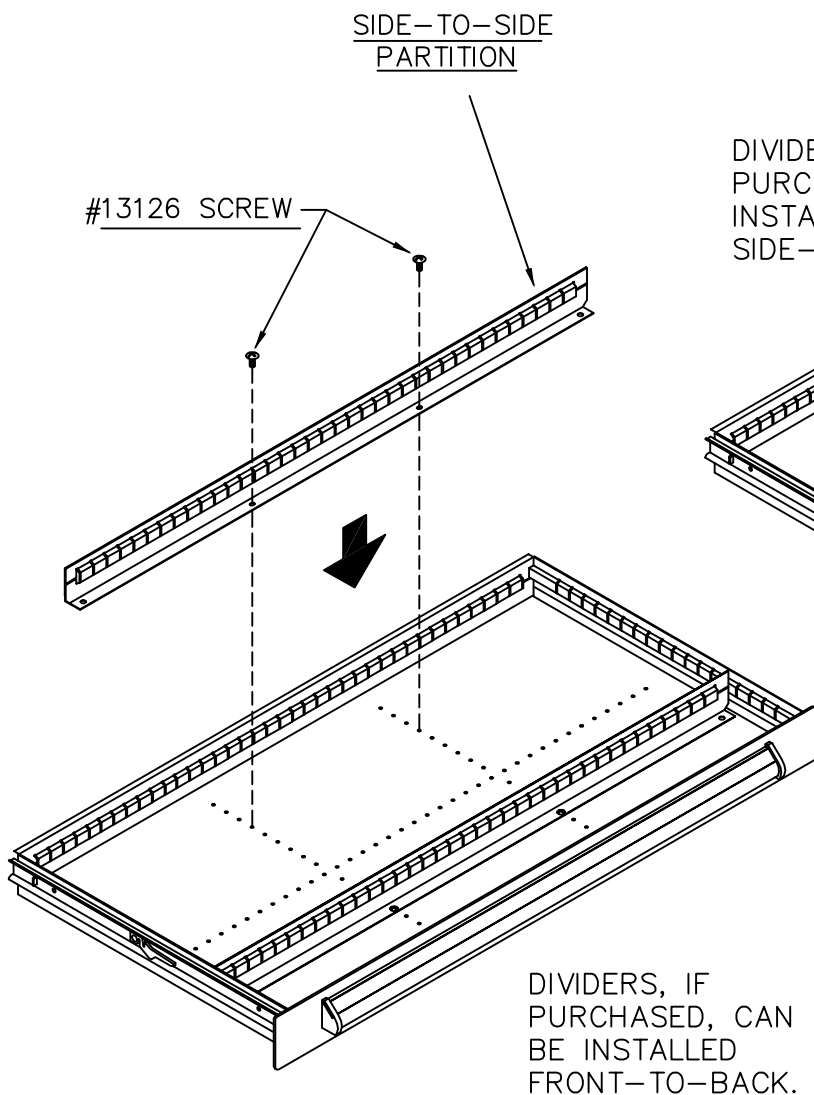
NOTE: OPTIONAL, INCLUDED WHEN DIVIDER SET IS PURCHASED WITH DRAWER

DRAWER DEPTH	PARTITION HEIGHT					
	FRONT-TO-BACK PARTITION			SIDE-TO-SIDE PARTITION(36W)		
	2"	3"	4-1/2"	2"	3"	4-1/2"
18" DEEP	8780N	8781N	8782N	8770	8771	8772
24" DEEP	8790N	8791N	8792N	8770	8771	8772

NOTE: CHOOSE PARTITION LOCATIONS BASED ON WIDTHS OF DIVIDERS PURCHASED. DIVIDERS SLIDE INTO SLOTS IN PARTITIONS AND DRAWER FRAME.



DIVIDERS, IF PURCHASED, ARE INSTALLED SIDE-TO-SIDE.



NOTE: SEE PARTITION AND DIVIDER "SETS" AND DIVIDER SIZES AND PART NUMBERS ON PAGE 8.

#13126 PHILLIPS PAN HEAD THREAD ROLLING SCREW #8-32 X 1/4"  
(2 PER SIDE-TO-SIDE PARTITION;  
1 PER FRONT-TO-BACK PARTITION)



NOTE: DIVIDER "SETS" INCLUDE PARTITIONS AND DIVIDERS. DIVIDER WIDTH IS GIVEN IN INCHES AND SLOT "SPACES"; SLOT SPACING IS APPROX. 3/4".

## DIVIDER "SETS" AVAILABLE FOR 36W AND 48W DRAWERS

DRAWER Width (in)		Divider Set Layout Type	Drawer Front Height (in)		
			3	4-1/2	6 & Up
36	18 D	D	4173D10	4174D15	4175D20
		E	4173E10	4174E15	4175E20
		F	4173F10	4174F15	4175F20
		H	4173H10	4174H15	4175H20
	24 D	D	4183D10	4184D15	4185D20
		E	4183E10	4184E15	4185E20
		F	4183F10	4184F15	4185F20
		H	4183H10	4184H15	4185H20
48	18 D	D	4176D10	4177D15	4178D20
		E	4176E10	4177E15	4178E20
		F	4176F10	4177F15	4178F20
		H	4176H10	4177H15	4178H20
	24 D	D	4186D10	4187D15	4188D20
		E	4186E10	4187E15	4188E20
		F	4186F10	4187F15	4188F20
		H	4186H10	4187H15	4188H20

## DIVIDER PART NUMBERS AND SIZES

Divider Width (in) (# "spaces")	Drawer Front Height (in)		
	3	4-1/2	6 & up
	Divider Height (in)		
	2	3	4-1/2
3.093 (4 spaces)	8834	8844	8854
3.890 (5 spaces)	8834W	8844W	8854W
4.687 (6 spaces)	8835	8845	8855
5.484 (7 spaces)	8835W	8845W	8855W
6.281 (8 spaces)	8836	8846	8856
7.875 (10 spaces)	8837	8847	8857
8.671 (11 spaces)	8837W	8847W	8857W
9.437 (12 spaces)	8838	8848	8858
12.687 (16 spaces)	8839	8849	8859