

59ASY

---

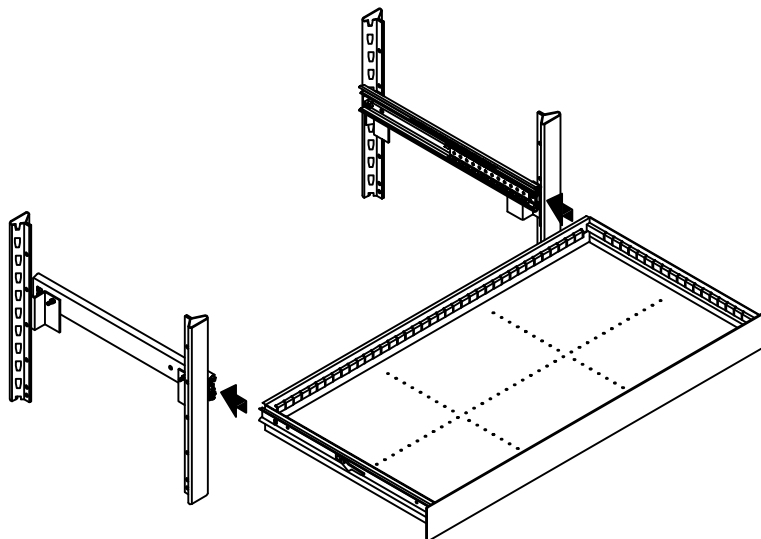
# EQUIPTO

---

ORIGINAL DESIGN  
36" / 48" SHELVING WIDE DRAWERS  
(200# CAPACITY)

## ASSEMBLY INSTRUCTIONS

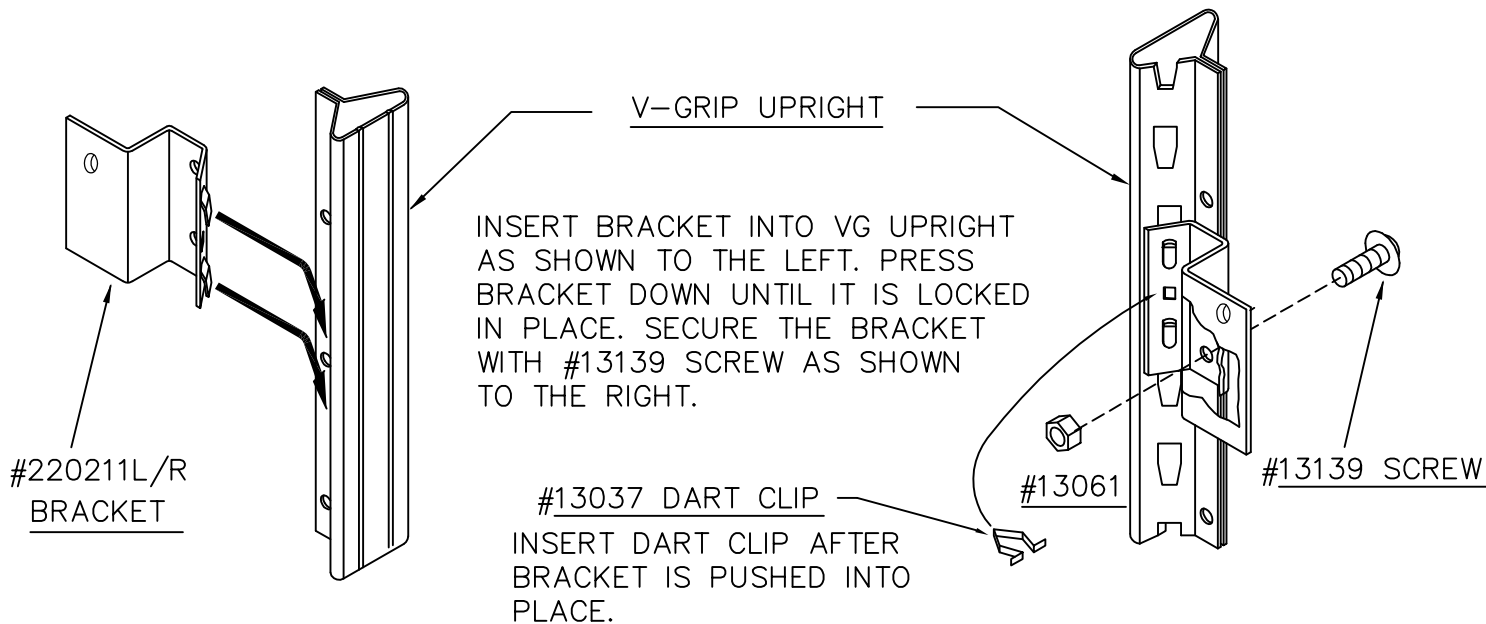
READ INSTRUCTIONS BEFORE ASSEMBLING



# 1 POST AND BRACKET ASSEMBLY

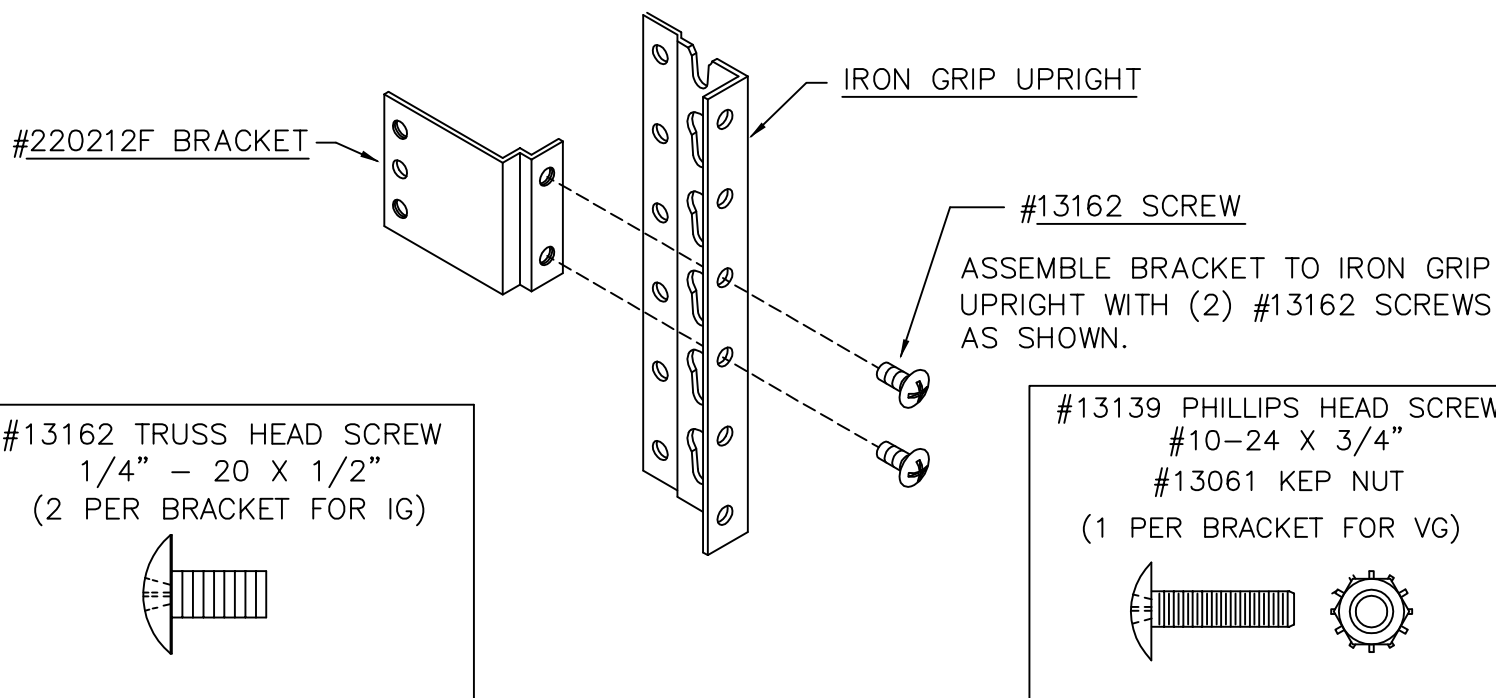
## A) V-GRIP POST BRACKET

INSERT 4 BRACKETS (2 LEFT-HAND, 2 RIGHT-HAND) ONTO UPRIGHTS AT SAME VERTICAL LOCATIONS SO THAT FLANGES ARE PARALLEL TO SHELVING ENDS.



## B) IRON GRIP POST BRACKET

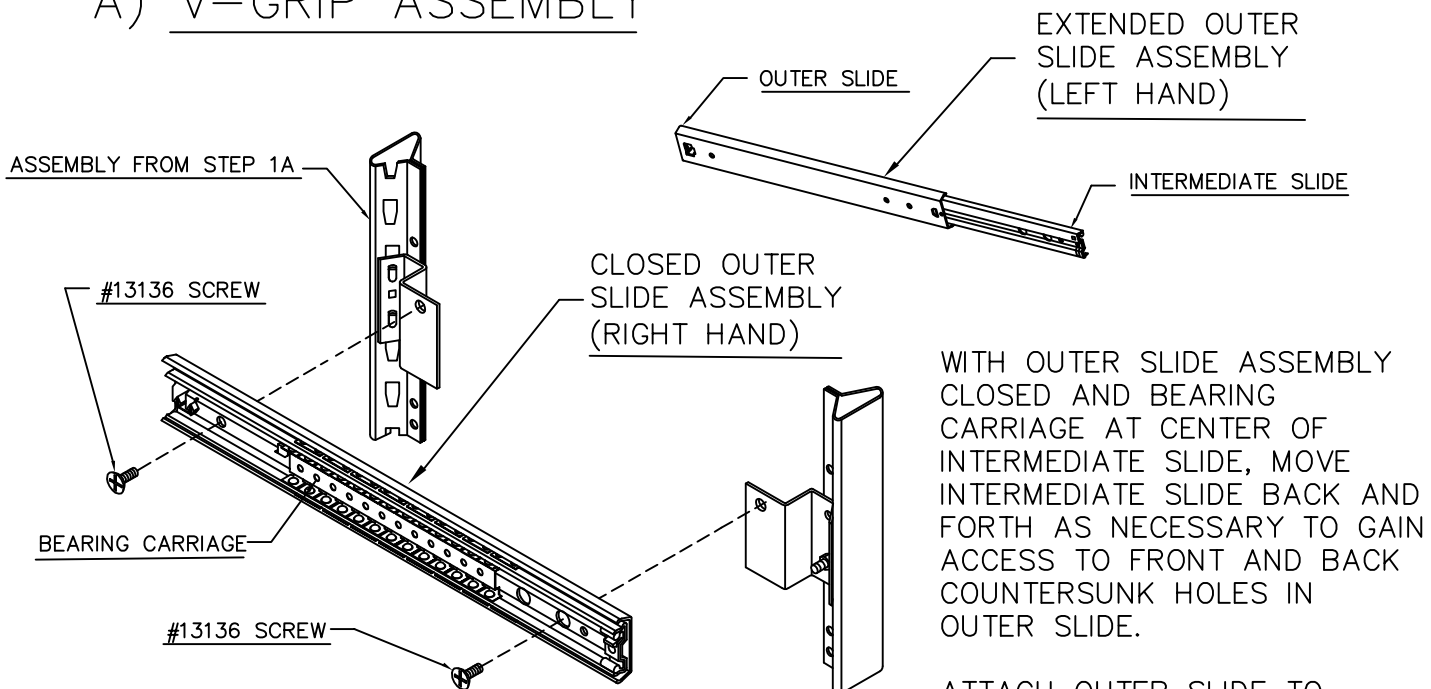
INSERT 4 BRACKETS ONTO UPRIGHTS AT SAME VERTICAL LOCATIONS SO THAT LONG FLANGES ARE PARALLEL TO SHELVING ENDS.



2

# ASSEMBLE OUTER SLIDE TO BRACKETS

## A) V-GRIP ASSEMBLY

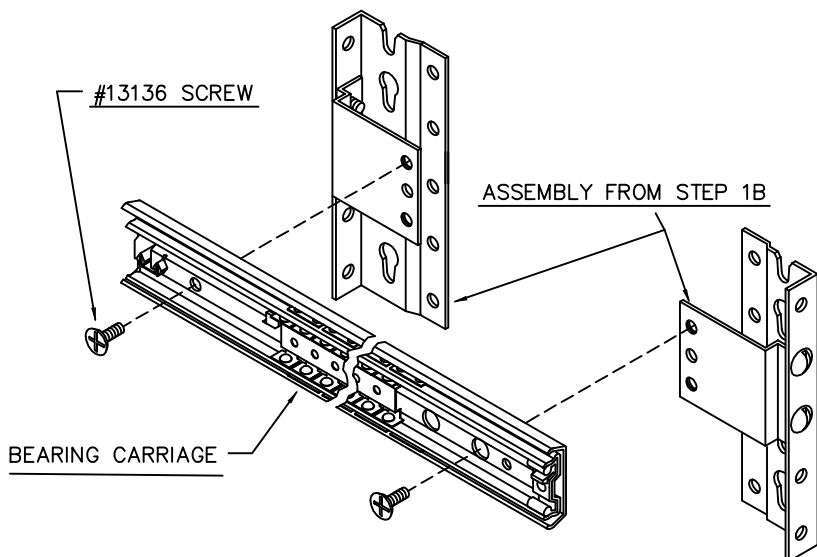


WITH OUTER SLIDE ASSEMBLY CLOSED AND BEARING CARRIAGE AT CENTER OF INTERMEDIATE SLIDE, MOVE INTERMEDIATE SLIDE BACK AND FORTH AS NECESSARY TO GAIN ACCESS TO FRONT AND BACK COUNTERSUNK HOLES IN OUTER SLIDE.

ATTACH OUTER SLIDE TO BRACKETS THROUGH COUNTERSUNK HOLES WITH #13136 SCREWS.

NOTE: OUTER SLIDES ARE UNIVERSAL FOR LEFT/RIGHT ASSEMBLY. MAKE SURE THE DIAMOND-SHAPED RUBBER STOPS ARE LOCATED AT THE BACK OF THE SLIDE (REAR OF SHELVING UNIT) WHEN ASSEMBLED.

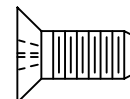
## B) IRON GRIP ASSEMBLY



FOLLOW INSTRUCTIONS ABOVE TO ATTACH OUTER SLIDE TO TOP THREADED HOLE IN BRACKETS AS INDICATED.

ATTACH OUTER SLIDE TO BRACKETS THROUGH COUNTERSUNK HOLES WITH #13136 SCREWS.

#13136 FLAT HEAD MACH SCREW  
1/4"-20 x 1/2"  
(2 PER SLIDE)

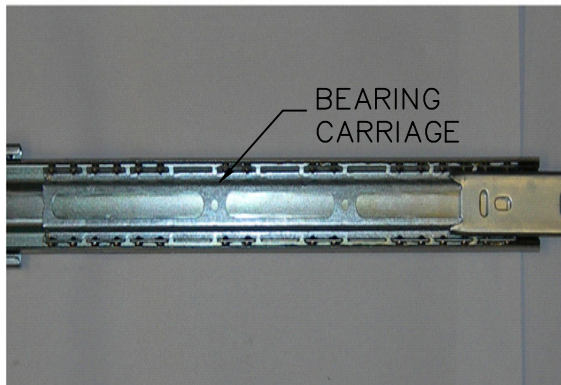
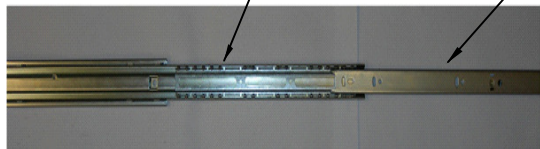


3

# DRAWER AND SLIDE ASSEMBLY

INTERMEDIATE SLIDE SHOWN FULLY EXTENDED,  
WITH BEARING CARRIAGE FULLY FORWARD

INNER SLIDE ATTACHED TO DRAWER  
(DRAWER NOT SHOWN FOR CLARITY)



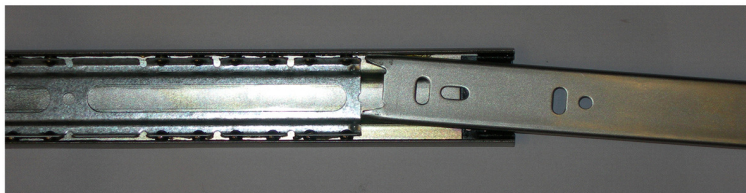
FULLY EXTEND INTERMEDIATE SLIDE AND BEARING CARRIAGE AS SHOWN. FAILURE TO SLIDE THE BEARING CARRIAGE FULLY FORWARD MAY RESULT IN BEARING DAMAGE.

WITH BOTH BEARING CARRIAGES EXTENDED FULLY FORWARD, INSERT THE DRAWER, BEING SURE TO ENGAGE BOTH RIGHT AND LEFT DRAWER SLIDES IN THE BEARING CARRIAGE AT THE SAME TIME.

NOTE: THE DRAWER MUST BE INSERTED STRAIGHT (PARALLEL TO THE SLIDES); TWO PEOPLE MAY BE REQUIRED FOR PROPER INSERTION OF LARGE DRAWERS.

KEEPING THE DRAWER STRAIGHT, APPLY A SERIES OF SHORT, UNIFORM PUSHES UNTIL THE DRAWER FULLY CLOSES. YOU MAY FEEL MORE RESISTANCE AT THE THREE-QUARTER CLOSED POSITION.

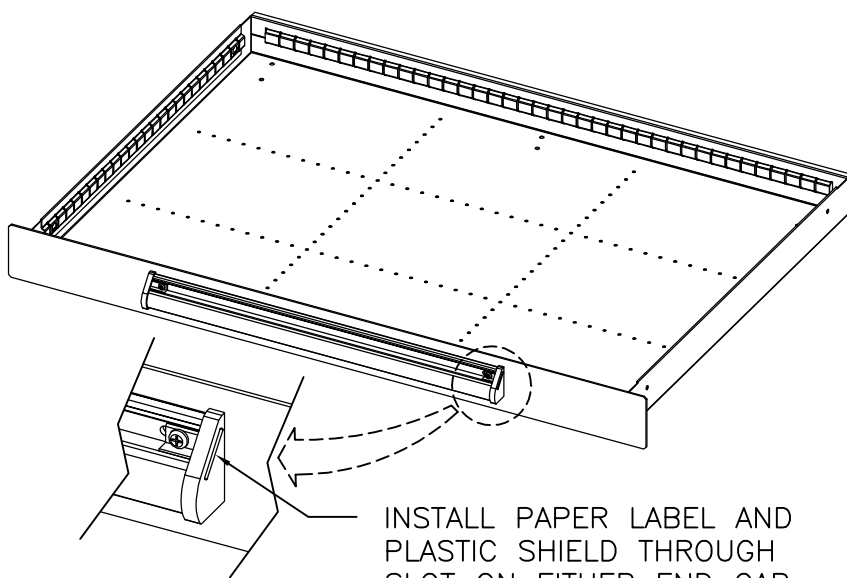
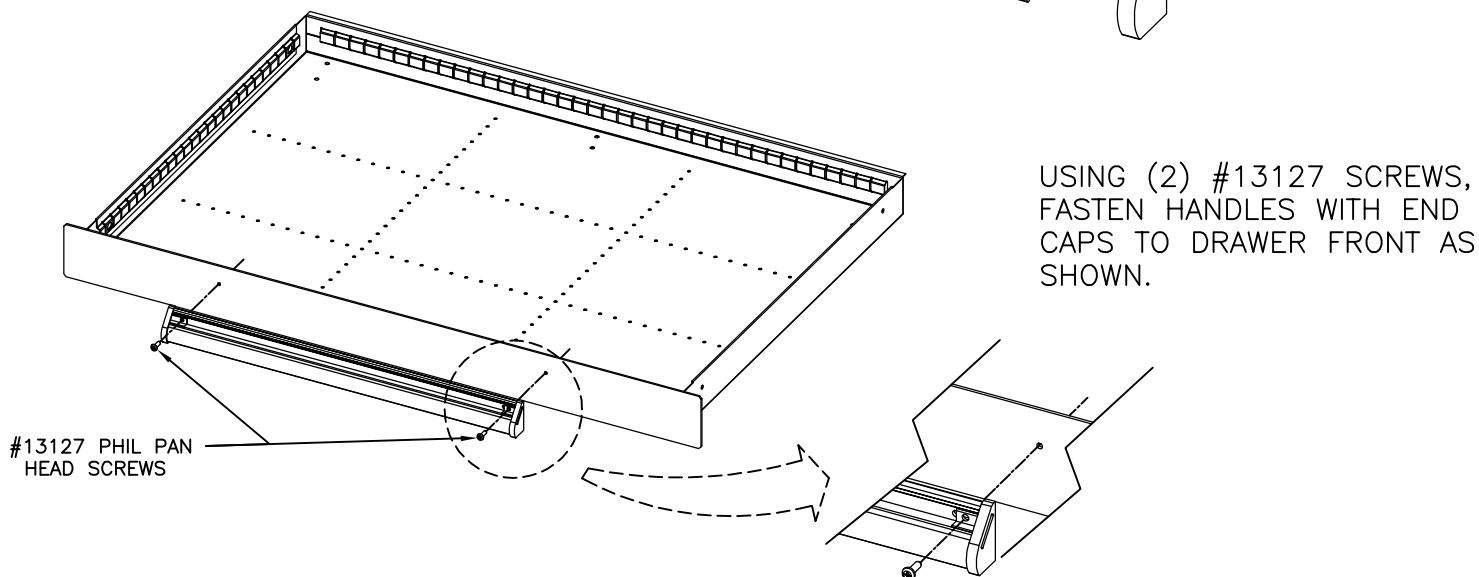
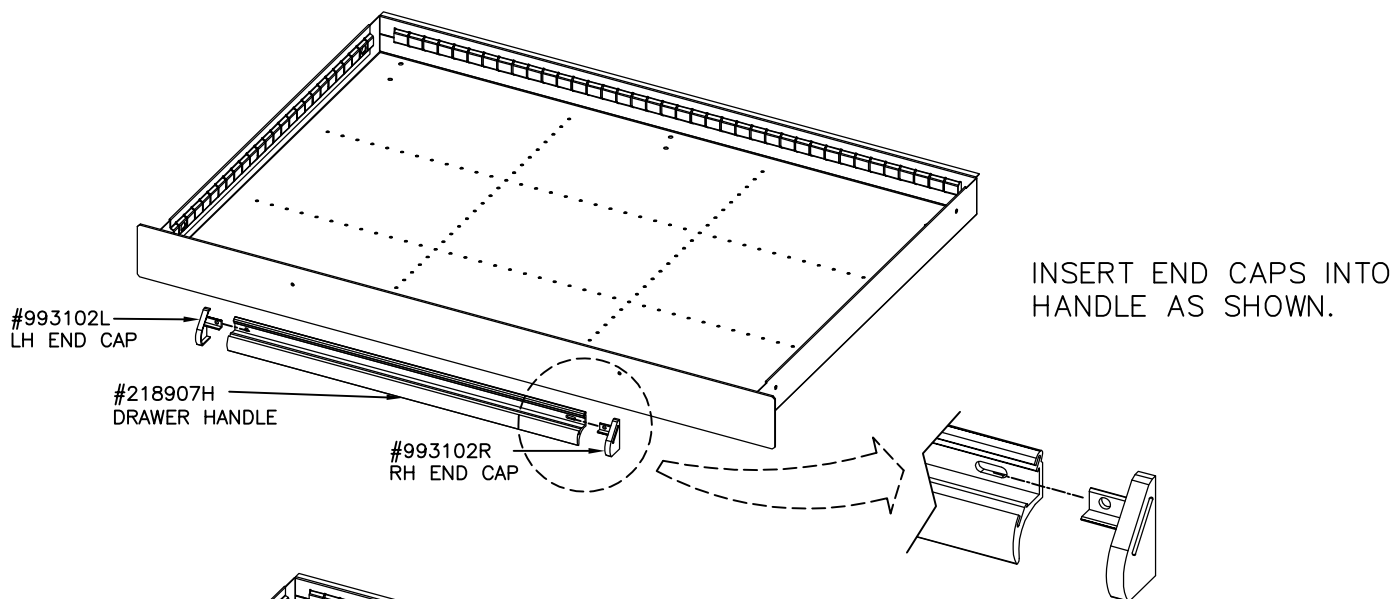
## INCORRECT DRAWER INSERTION:



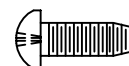
FOR REFERENCE, ILLUSTRATION ABOVE SHOWS BEARING CARRIAGE NOT FULLY EXTENDED FORWARD, AND DRAWER SLIDE BEING INSERTED AT AN ANGLE. THIS INCORRECT INSERTION MAY CAUSE DAMAGE TO THE CARRIAGE, A LOSS OF BALL BEARINGS, AND ROUGH DRAWER SLIDING ACTION.

4

# DRAWER HANDLE ASSEMBLY



#13127 PHIL PAN HEAD THREAD  
ROLLING SCREW #8-32 X 7/16"  
(2 PER DRAWER HANDLE)



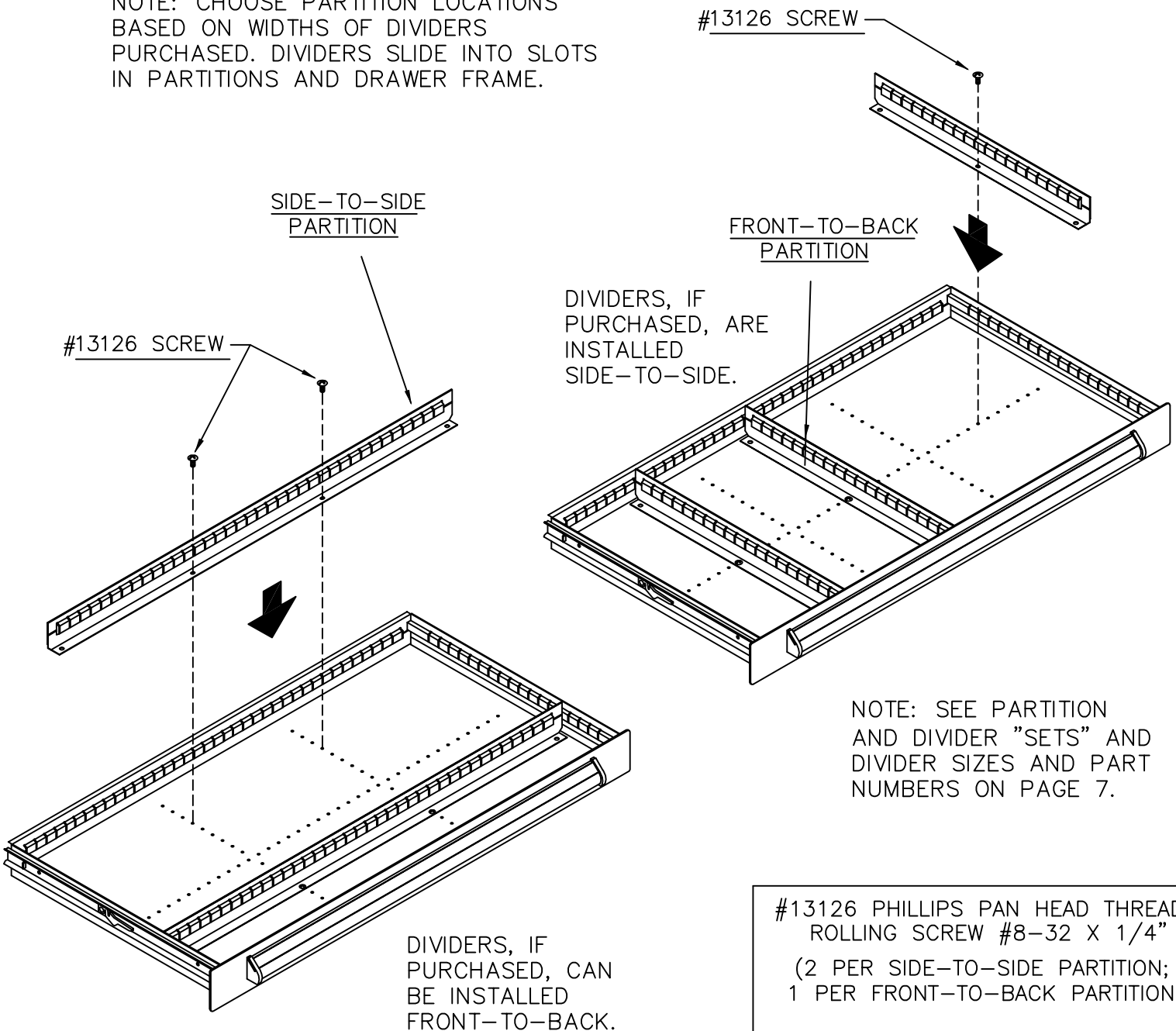
5

# PARTITION AND DIVIDER ASSEMBLY

NOTE: OPTIONAL, INCLUDED WHEN DIVIDER SET IS PURCHASED WITH DRAWER

| DRAWER DEPTH | PARTITION HEIGHT        |       |        |                             |      |        |
|--------------|-------------------------|-------|--------|-----------------------------|------|--------|
|              | FRONT-TO-BACK PARTITION |       |        | SIDE-TO-SIDE PARTITION(36W) |      |        |
|              | 2"                      | 3"    | 4-1/2" | 2"                          | 3"   | 4-1/2" |
| 18" DEEP     | 8780N                   | 8781N | 8782N  | 8770                        | 8771 | 8772   |
| 24" DEEP     | 8790N                   | 8791N | 8792N  | 8770                        | 8771 | 8772   |

NOTE: CHOOSE PARTITION LOCATIONS BASED ON WIDTHS OF DIVIDERS PURCHASED. DIVIDERS SLIDE INTO SLOTS IN PARTITIONS AND DRAWER FRAME.



#13126 PHILLIPS PAN HEAD THREAD ROLLING SCREW #8-32 X 1/4"  
(2 PER SIDE-TO-SIDE PARTITION;  
1 PER FRONT-TO-BACK PARTITION)



NOTE: DIVIDER "SETS" INCLUDE PARTITIONS AND DIVIDERS. DIVIDER WIDTH IS GIVEN IN INCHES AND SLOT "SPACES"; SLOT SPACING IS APPROX. 3/4".

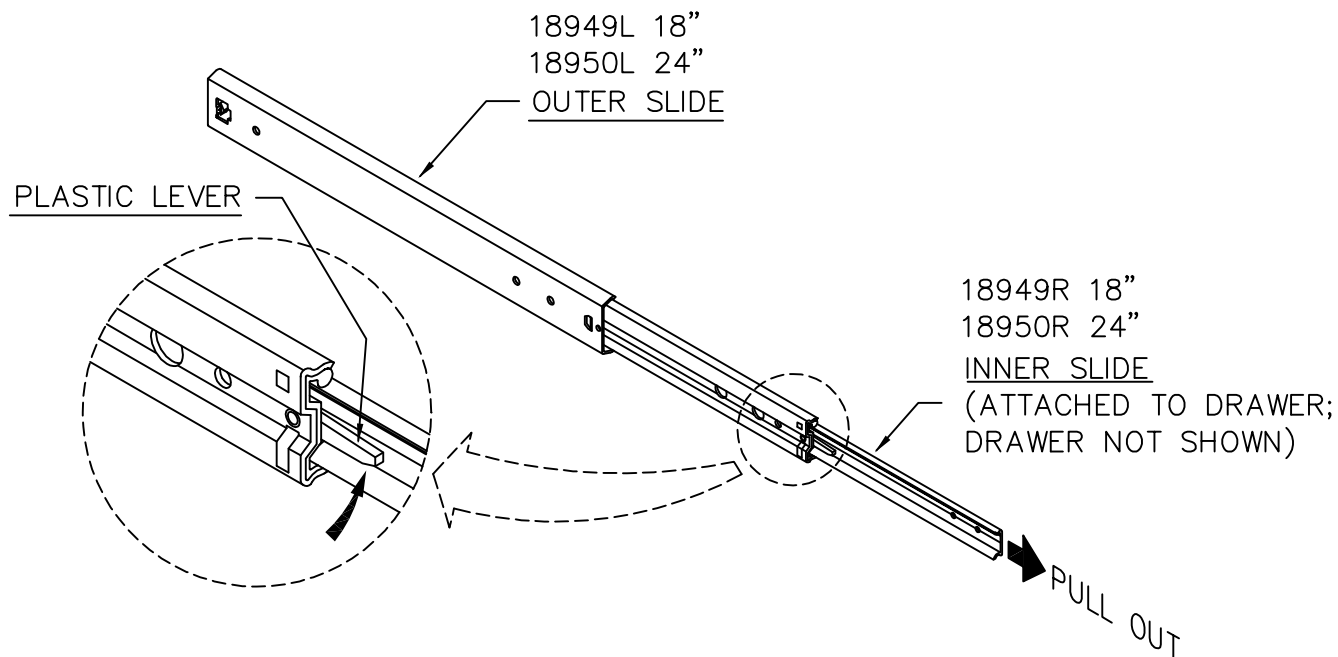
## DIVIDER "SETS" AVAILABLE FOR 36W AND 48W DRAWERS

| DRAWER Width (in) |      | Divider Set Layout Type | Drawer Front Height (in) |         |         |
|-------------------|------|-------------------------|--------------------------|---------|---------|
|                   |      |                         | 3                        | 4-1/2   | 6 & Up  |
| 36                | 18 D | D                       | 4173D10                  | 4174D15 | 4175D20 |
|                   |      | E                       | 4173E10                  | 4174E15 | 4175E20 |
|                   |      | F                       | 4173F10                  | 4174F15 | 4175F20 |
|                   |      | H                       | 4173H10                  | 4174H15 | 4175H20 |
|                   | 24 D | D                       | 4183D10                  | 4184D15 | 4185D20 |
|                   |      | E                       | 4183E10                  | 4184E15 | 4185E20 |
|                   |      | F                       | 4183F10                  | 4184F15 | 4185F20 |
|                   |      | H                       | 4183H10                  | 4184H15 | 4185H20 |
| 48                | 18 D | D                       | 4176D10                  | 4177D15 | 4178D20 |
|                   |      | E                       | 4176E10                  | 4177E15 | 4178E20 |
|                   |      | F                       | 4176F10                  | 4177F15 | 4178F20 |
|                   |      | H                       | 4176H10                  | 4177H15 | 4178H20 |
|                   | 24 D | D                       | 4186D10                  | 4187D15 | 4188D20 |
|                   |      | E                       | 4186E10                  | 4187E15 | 4188E20 |
|                   |      | F                       | 4186F10                  | 4187F15 | 4188F20 |
|                   |      | H                       | 4186H10                  | 4187H15 | 4188H20 |

## DIVIDER PART NUMBERS AND SIZES

| Divider Width (in)<br>(# "spaces") | Drawer Front Height (in) |       |        |
|------------------------------------|--------------------------|-------|--------|
|                                    | 3                        | 4-1/2 | 6 & up |
|                                    | Divider Height (in)      |       |        |
|                                    | 2                        | 3     | 4-1/2  |
| 3.093 (4 spaces)                   | 8834                     | 8844  | 8854   |
| 3.890 (5 spaces)                   | 8834W                    | 8844W | 8854W  |
| 4.687 (6 spaces)                   | 8835                     | 8845  | 8855   |
| 5.484 (7 spaces)                   | 8835W                    | 8845W | 8855W  |
| 6.281 (8 spaces)                   | 8836                     | 8846  | 8856   |
| 7.875 (10 spaces)                  | 8837                     | 8847  | 8857   |
| 8.671 (11 spaces)                  | 8837W                    | 8847W | 8857W  |
| 9.437 (12 spaces)                  | 8838                     | 8848  | 8858   |
| 12.687 (16 spaces)                 | 8839                     | 8849  | 8859   |

# DRAWER REMOVAL PROCEDURE



IF IT IS NECESSARY TO REMOVE A DRAWER, PULL THE DRAWER TO THE FULL OPEN POSITION, WHICH WILL EXTEND THE SLIDE FULLY. THERE IS A PLASTIC LEVER NOW VISIBLE WHERE THE INNER SLIDE MEETS THE INTERMEDIATE SLIDE.

FOR THE LEFT HAND SIDE, PULL THE PLASTIC LEVER UP, AND FOR THE RIGHT HAND SIDE, PUSH THE LEVER DOWN. THE INNER SLIDE THAT IS ATTACHED TO THE DRAWER CAN NOW BE PULLED OUT.