

51130ASY

THIS DRAWING IS THE PROPERTY OF

**EQUIPTO**

Toll-Free Tel: 800-323-0801

Toll-Free Fax: 888-859-2121

www.equipto.com

# BENCH AND DESK CABINET ASSEMBLY INSTRUCTIONS

## A. BENCH AND DESK CABINET COMBINATIONS

## B. ASSEMBLY PROCEDURE:

1. ATTACH CASTERS TO FRAME AS SHOWN IN STEP 1.  
TIGHTEN ALL FASTENERS SECURELY.
2. ASSEMBLE 30" WIDE CABINET FROM TWO 15" WIDE  
CABINETS AS SHOWN IN STEP 2.
3. MOBIL AND STATIONARY BASE INSTALLATION TO  
PEDESTAL UNIT AS SHOWN IN STEP 3.
4. FASTEN TOP IN PLACE.
  - a. AS SHOWN IN STEP 4 FOR STEEL TOP.
  - b. AS SHOWN IN STEP 5 FOR DESK TOP.
  - b. AS SHOWN IN STEP 6 FOR WOOD TOP.

## C. ADDITIONAL NOTES

- a. INSTALL PLUGS FOR HARDBOARD ON STEEL.
- b. REMOVING DRAWER FROM DRAWER FRAME.

# Step

# 6

## WOOD TOP ASSEMBLY

(SAME FOR ALL BENCH CABINET COMBINATIONS)

### NOTE

OPTIONAL END AND BACK RAILS MUST BE ATTACHED AT THIS POINT.

### NOTE

AFTER THE BACK RAIL IS IN POSITION AND FASTENED TO THE REAR FLANGES OF THE END RAILS, DRILL 3/16" DIA. X 1" DEEP PILOT HOLES IN THE REAR EDGE OF THE WOOD TOP.

### NOTE

TO GAIN ACCESS TO THE MOUNTING HOLES IN THE DRAWER PEDESTAL, REMOVE THE TWO TOP DRAWERS. SEE "ADDITIONAL NOTES" FOR DRAWER REMOVING INFORMATIONS.

### BACK RAILS

#7407 - 30"

#13154 SCREW

### END RAILS (16 GA.)

LEFT HAND	SIZE	RIGHT HAND
#7420L	30" WOOD	#7420R

### TOP MATERIALS

CONDUCTIVE 1-1/4" THICK

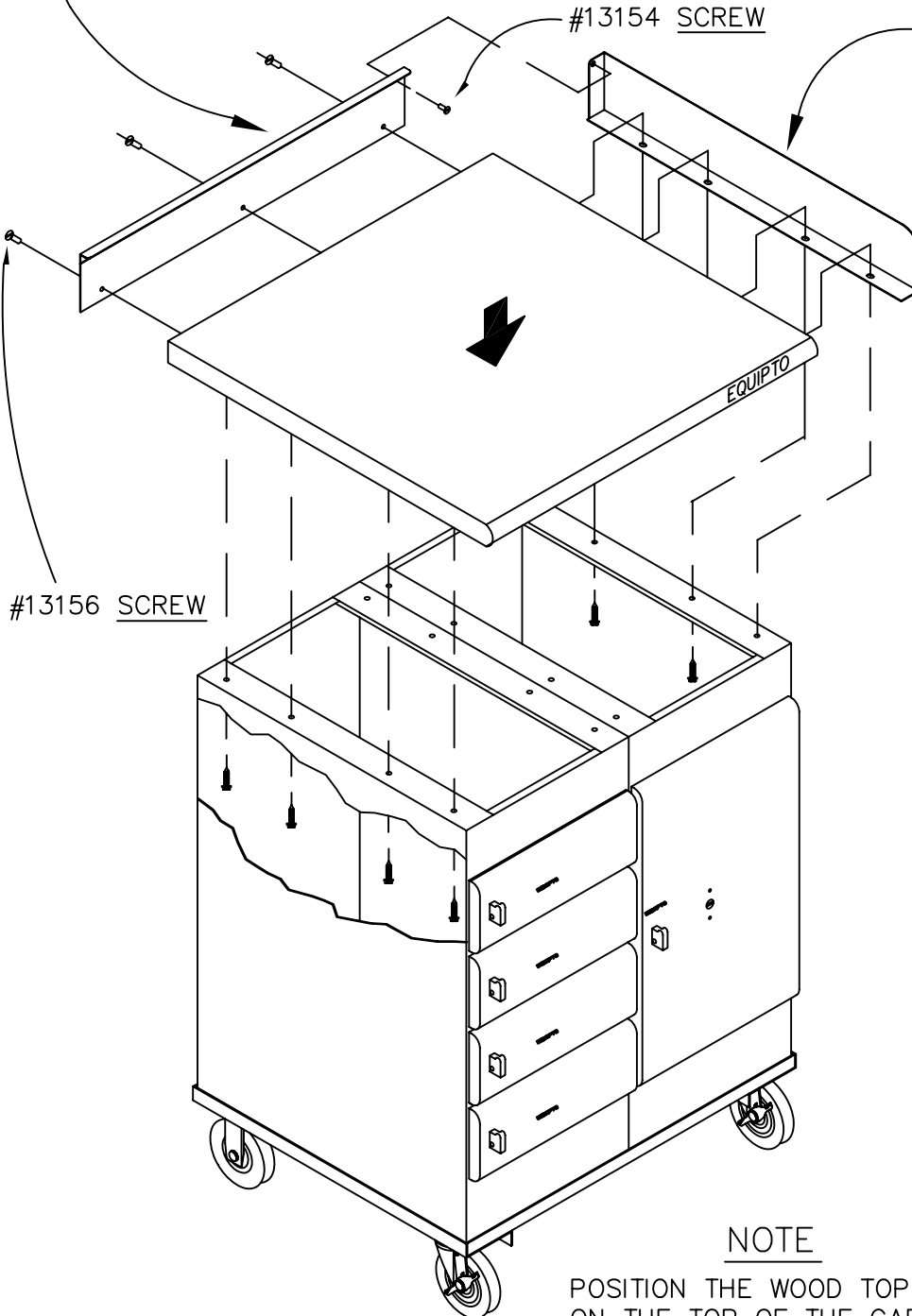
#12311 30" x 30"

BONDED WOOD 1-3/4" THICK

#12304 30" x 30"

LAMINATED MAPLE 1-3/4" THICK

#12302 30" x 30"



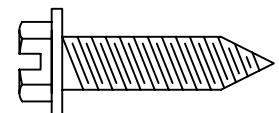
#13156 SCREW

### NOTE

POSITION THE WOOD TOP ON THE TOP OF THE CABINET WITH THE ROUNDED EDGE TO THE FRONT OF THE BENCH.

#13156 HEX WASHER HEAD TAPPING SCREW  
1/4" - 14 x 1"

(8 PER WOOD TOP)  
(3 PER BACK RAIL)

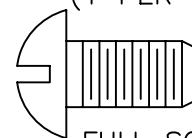


FULL SCALE

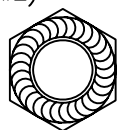
#13154 TRUSS HD MACH SCREW  
5/16" X 3/4"

#13051 TWIN WHIZZ LOCKNUT  
5/16" - 18

(1 PER END RAIL)



FULL SCALE



# Step

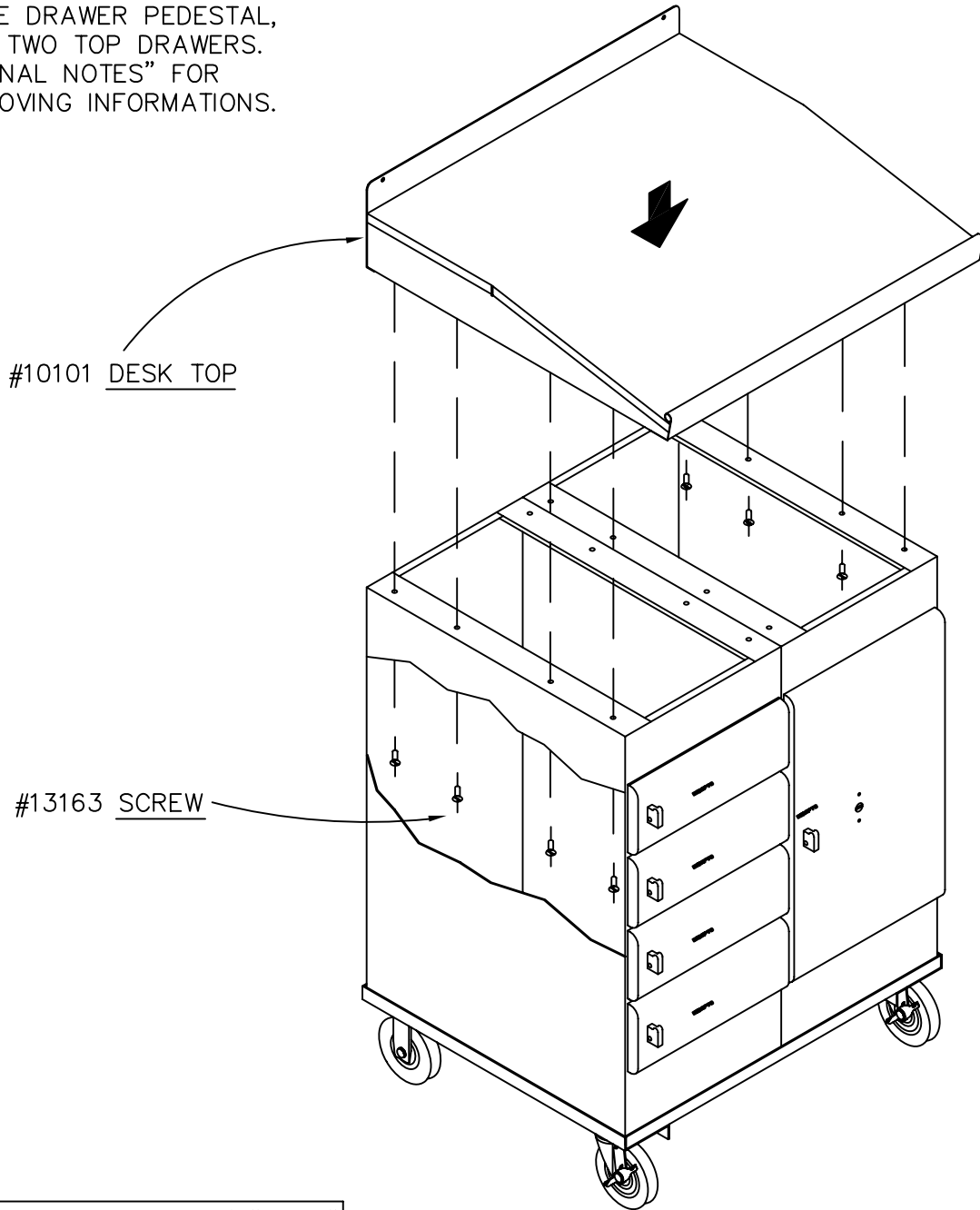
5

## DESK TOP ASSEMBLY

(SAME FOR ALL DESK CABINET COMBINATIONS)

### NOTE

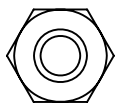
TO GAIN ACCESS TO THE MOUNTING HOLES IN THE DRAWER PEDESTAL, REMOVE THE TWO TOP DRAWERS. SEE "ADDITIONAL NOTES" FOR DRAWER REMOVING INFORMATIONS.



#13163 TRUSS HD MACH SCREW 1/4" X 1"

#13060 KEPS NUT 1/4" - 20

(8 PER TOP)



FULL SCALE

# Step

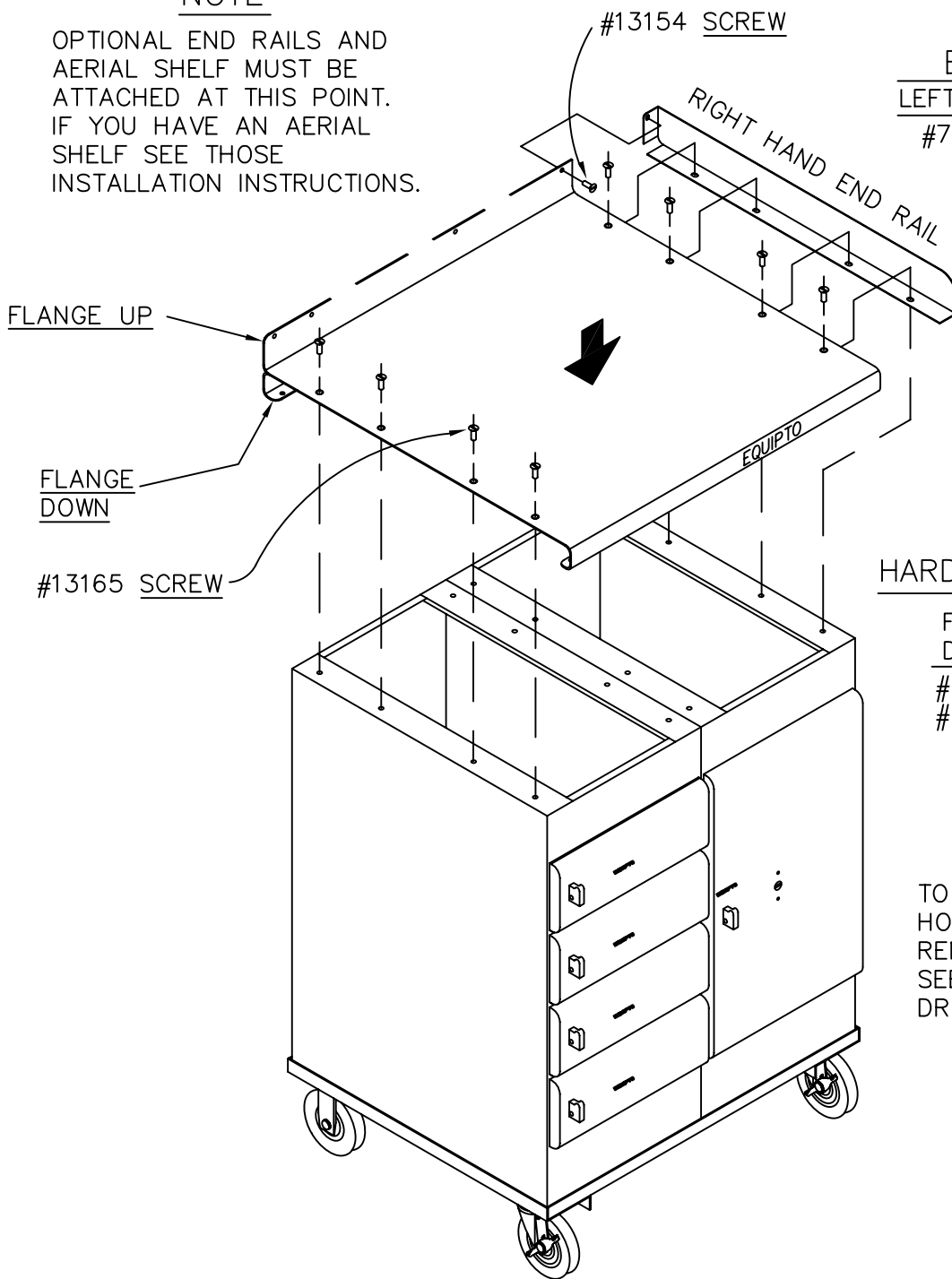
# 4

## STEEL TOP ASSEMBLY

(SAME FOR ALL BENCH CABINET COMBINATIONS)

### NOTE

OPTIONAL END RAILS AND AERIAL SHELF MUST BE ATTACHED AT THIS POINT. IF YOU HAVE AN AERIAL SHELF SEE THOSE INSTALLATION INSTRUCTIONS.



### END RAILS (16 GA.)

LEFT HAND	SIZE	RIGHT HAND
#7417L	30" STEEL	#7417R

### TOP MATERIALS

#### STEEL (12 GA.)

FLANGE DOWN	SIZE	FLANGE UP
#11477D	30" x 15"	#11477
#11478D	30" x 30"	#11478

#### HARDBOARD ON STEEL (12 GA.)

FLANGE DOWN	SIZE	FLANGE UP
#11495D	30" x 15"	#11495
#11496D	30" x 30"	#11496

### NOTE

TO GAIN ACCESS TO THE MOUNTING HOLES IN THE DRAWER PEDESTAL, REMOVE THE TWO TOP DRAWERS. SEE "ADDITIONAL NOTES" FOR DRAWER REMOVING INFORMATION.

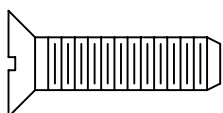
### NOTE

THE NAME "EQUIPTO" IS TO BE TOWARD THE FRONT OF THE BENCH.

#13165 FLAT HEAD BOLT 1/4" x 1"

#13060 KEPS NUT 1/4"

(8 PER TOP)

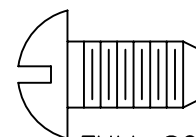


FULL SCALE

#13154 TRUSS HD MACH SCREW  
5/16" X 3/4"

#13051 TWIN WHIZZ LOCKNUT  
5/16" - 18

(1 PER END RAIL)



FULL SCALE

# Step

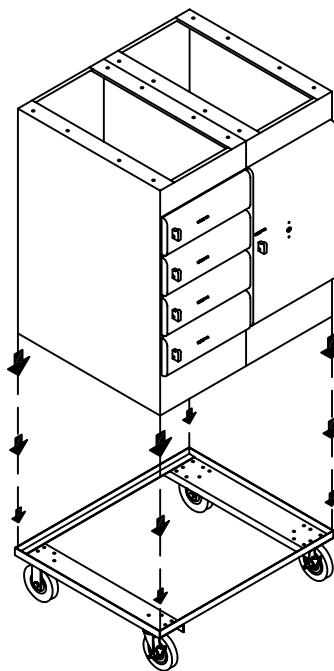
# 3

## BASE INSTALLATION

### a. MOBIL BASE INSTALLATION (SAME FOR ALL COMBINATIONS)

#### NOTE

SEAT PEDESTAL UNIT INTO THE DOLLY ASSEMBLY. NO BOLTS REQUIRED BETWEEN PEDESTAL UNIT AND DOLLY BASE.

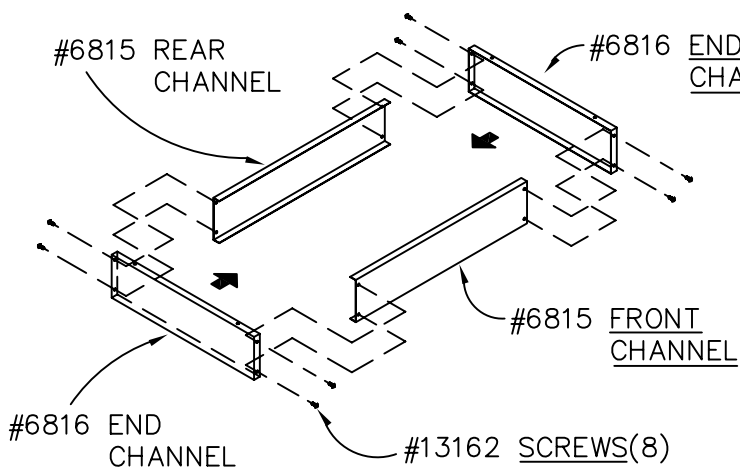


NOTE  
233LT CONSISTS OF:  
1-#10351 FRAME  
1-#11099A DOOR  
2-#16276 SHELF

237LT CONSISTS OF:  
1-#10352 FRAME  
4-#8625 DRAWERS  
2-#11801 DWR LINERS

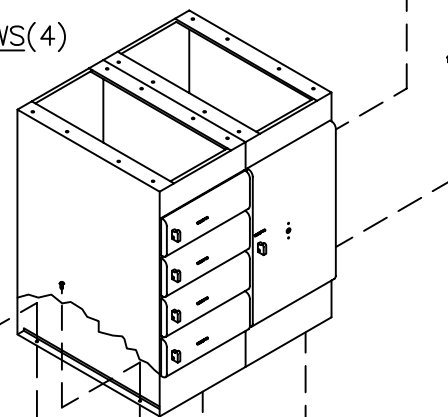
### b. STATIONARY BASE INSTALLATION (FOR DESK CABINET COMBINATIONS ONLY)

#### STATIONARY BASE ASSEMBLY

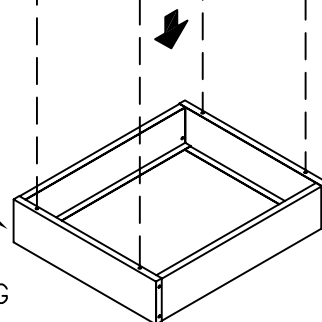


#### DESK CABINET ASSEMBLY

#13162 SCREWS(4)



#### BASE ASSEMBLY



#13162 TRUSS HD MACH SCREW  
1/4" X 1/2" - 20

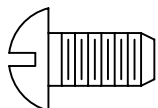
#13060 KEPS NUT

(8 PER BASE ASSEMBLY)

(4 PER DESK CABINET)

#### NOTE

TO GAIN ACCESS TO THE MOUNTING HOLES IN THE DRAWER PEDESTAL, REMOVE THE LAST TWO DRAWERS. SEE "ADDITIONAL NOTES" FOR DRAWER REMOVING INFORMATIONS.



FULL SCALE

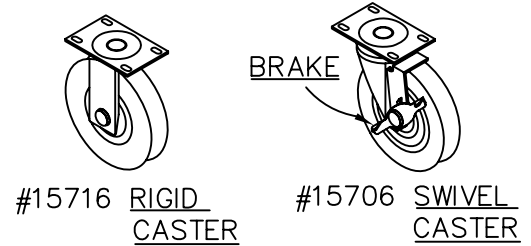
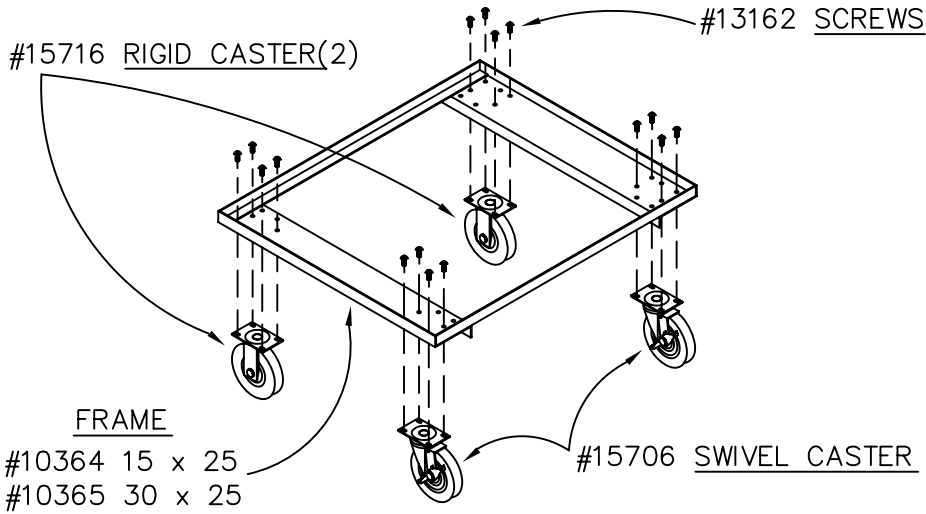


# B ASSEMBLY PROCEDURE

## Step

### 1 CASTERS INSTALLATION

#231 OR #232 DOLLY ASSEMBLY



#13162 TRUSS HD MACH SCREW  
1/4" X 1/2"

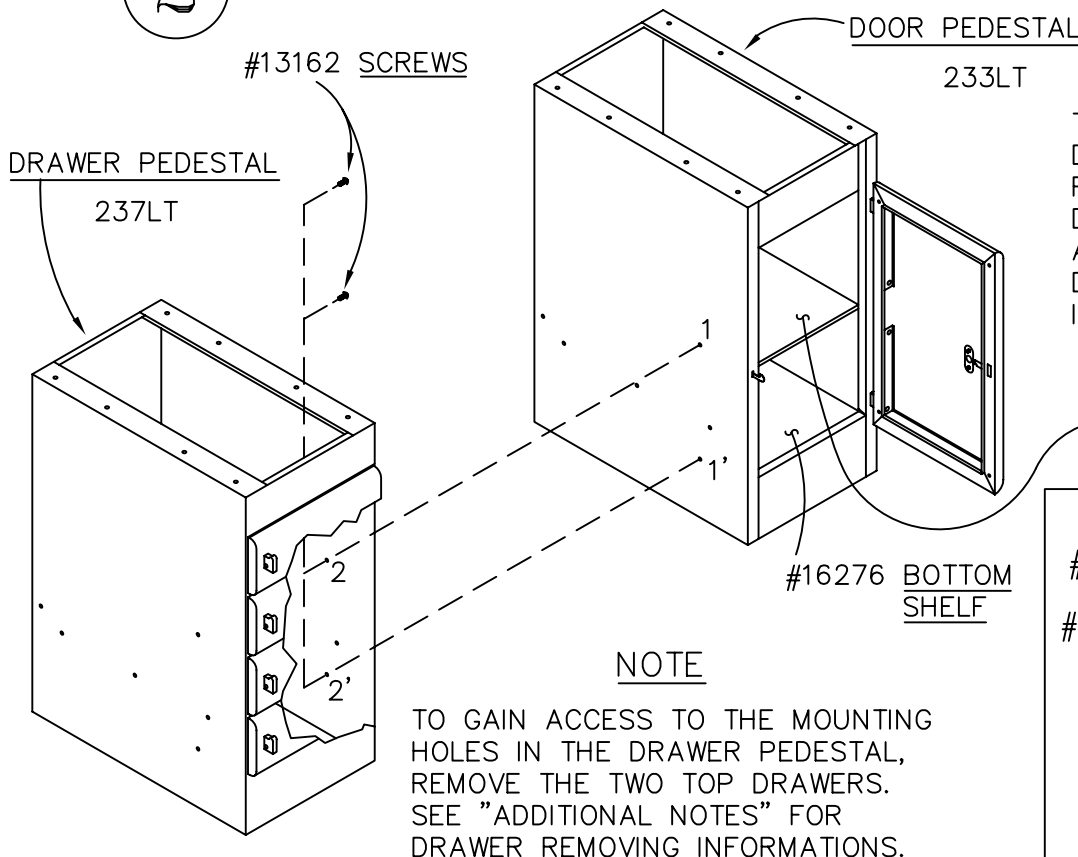
#13060 KEPS NUT

(4 PER CASTER)

FULL SCALE

## Step

### 2 30" WIDE CABINET ASSEMBLY



NOTE

TO BOLT DOOR PEDESTAL AND DRAWER PEDESTAL TOGETHER REMOVE #13162 SCREWS FROM DOOR PEDESTAL (HOLES 1-1') AND BOLT THEM THROUGH DRAWER PEDESTAL (HOLES 2-2') IN DOOR PEDESTAL (HOLES 1-1').

#16276 INTERMEDIATE SHELF

#16276 BOTTOM SHELF

#13162 TRUSS HD MACH SCREW  
1/4" X 1/2" - 20

#13060 KEPS NUT

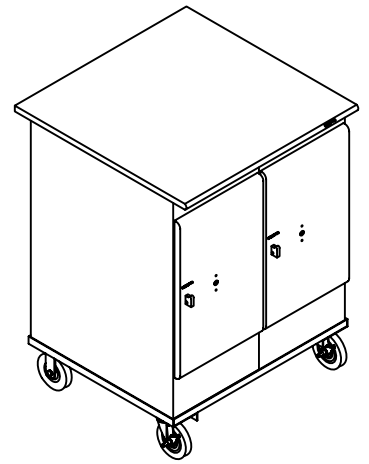
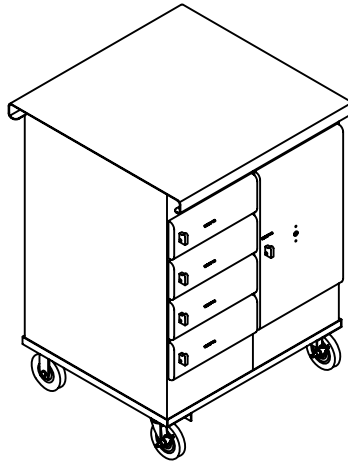
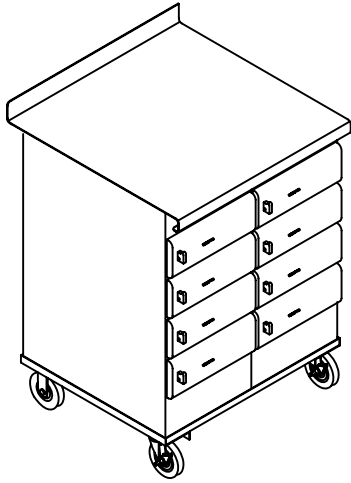
(2 PER ASSEMBLY)

FULL SCALE



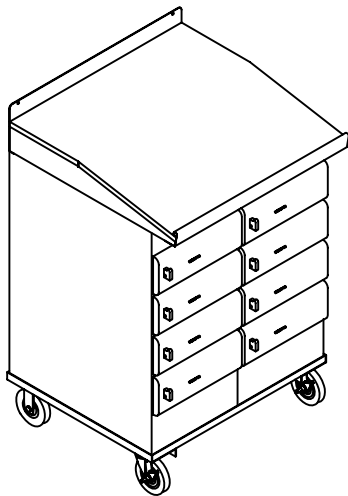
# BENCH AND DESK CABINET COMBINATIONS

## BENCH CABINETS – 30” WIDE

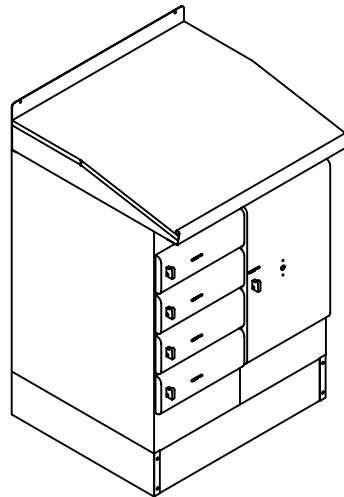


## DESK CABINETS

MOBIL

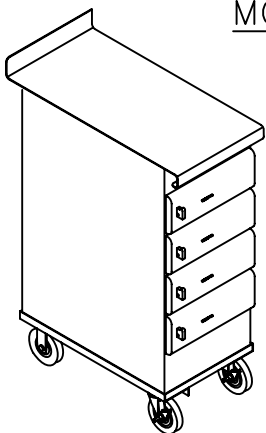


STATIONARY

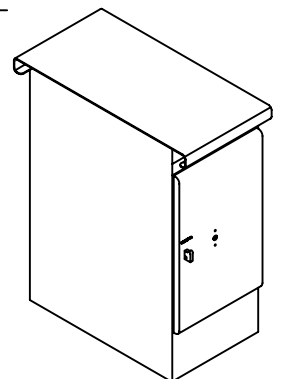
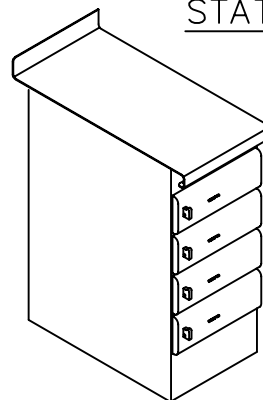
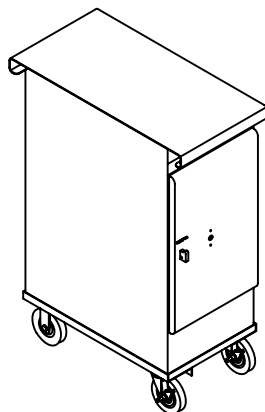


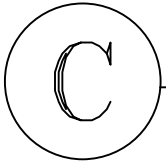
## BENCH CABINETS – 15” WIDE

MOBIL



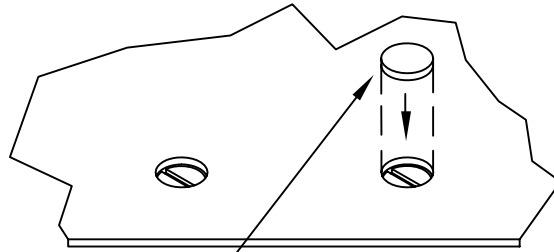
STATIONARY





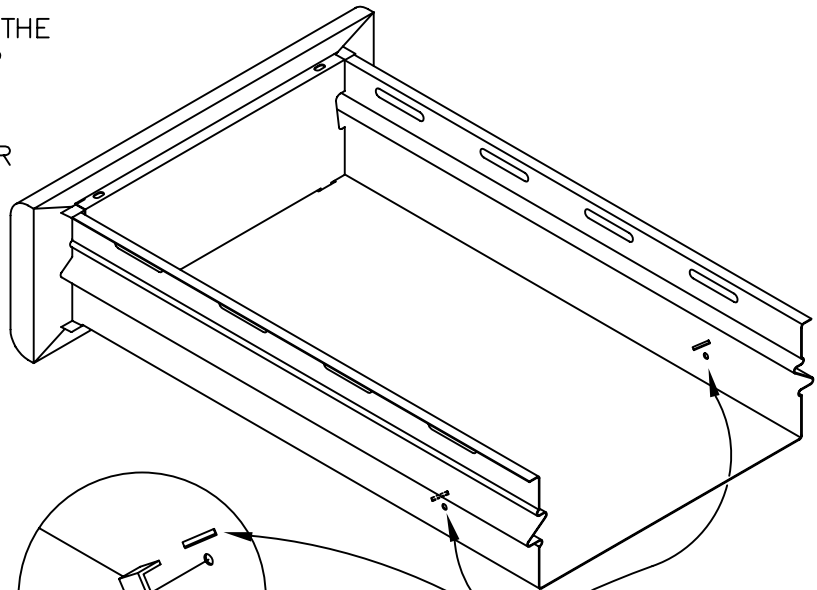
# ADDITIONAL NOTES

a. FOR HARDBOARD ON STEEL,  
AFTER TOP IS ATTACHED  
INSERT PLUGS AS SHOWN.

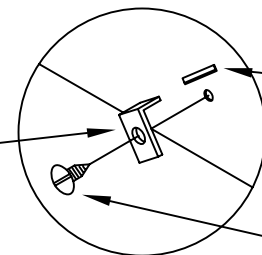


#10206-3/4" DIA. PLUG

b. TO REMOVE THE DRAWER FROM THE  
DRAWER FRAME TAKE THE STOP  
CLIPS OUT AS SHOWN.  
TO INSTALL THE DRAWER INTO  
FRAME INSERT REAR OF DRAWER  
INTO FRAME AND INSTALL  
DRAWER STOPS.



#10227 STOP CLIP



#13073 SCREW

DRAWER STOP SLOTS

## NOTE

SEE ADDITIONAL ACCESSORY INSTRUCTIONS AS FOLLOW :

- #42750-01 WORKBENCH DRAWERS
- #42227 AERIAL SHELF & PICK RACK KITS
- #42960A-B PRODUCTION BOOSTER AERIAL SHELF

#13073 PAN HD TYPE A  
SHT. MTL. SCREW  
1/4" X 3/8"  
(2 PER DRAWER)



FULL SCALE