

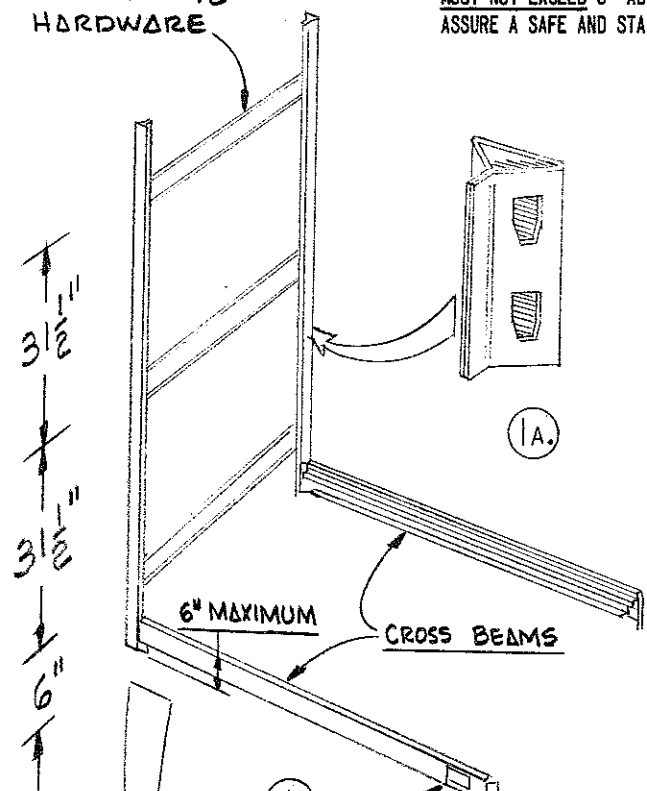
EQUIPTO

BULK STORAGE RACK

END BRACE PLATES
WITH
#10-24 x 3/8"
HARDWARE

CAUTION

ALL RACKS MUST HAVE A PAIR OF BEAMS AT FLOOR LEVEL. THE TOP OF THESE BEAMS MUST NOT EXCEED 6" ABOVE THE FLOOR TO ASSURE A SAFE AND STABLE UNIT.

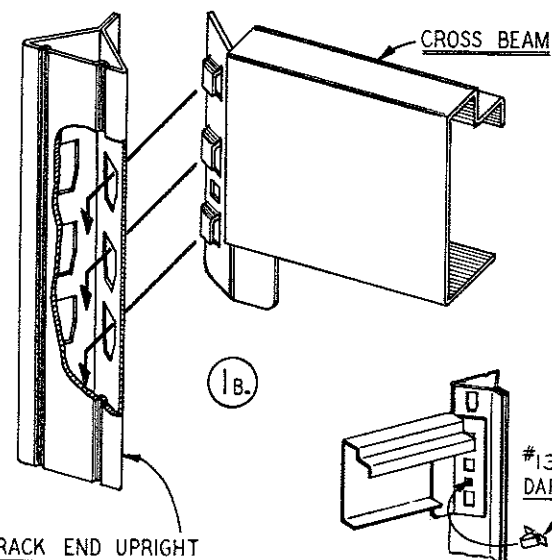


1A.

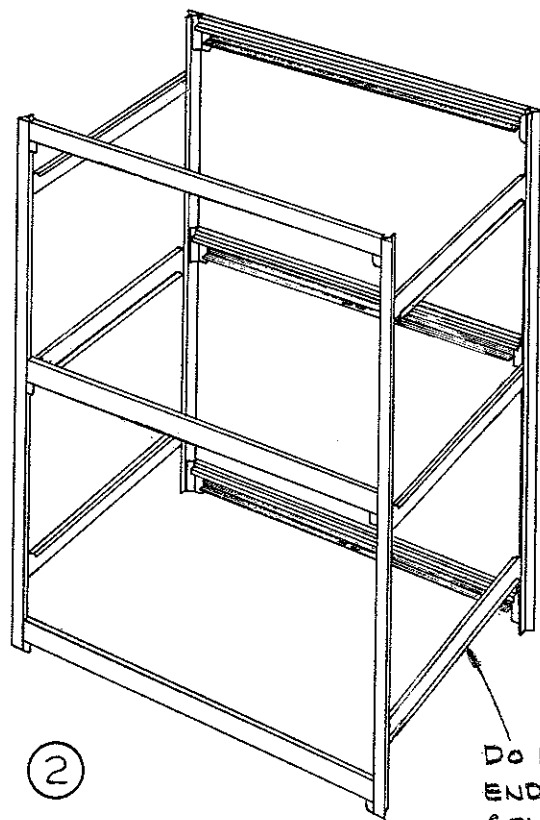
1

IMPORTANT

BEAM PART NUMBER & WEIGHT CAPACITY PER PAIR OF BEAMS IS STAMPED ON EACH BEAM. BEAMS PLACED OPPOSITE EACH OTHER IN RACK MUST HAVE THE SAME WEIGHT CARRYING CAPACITY.

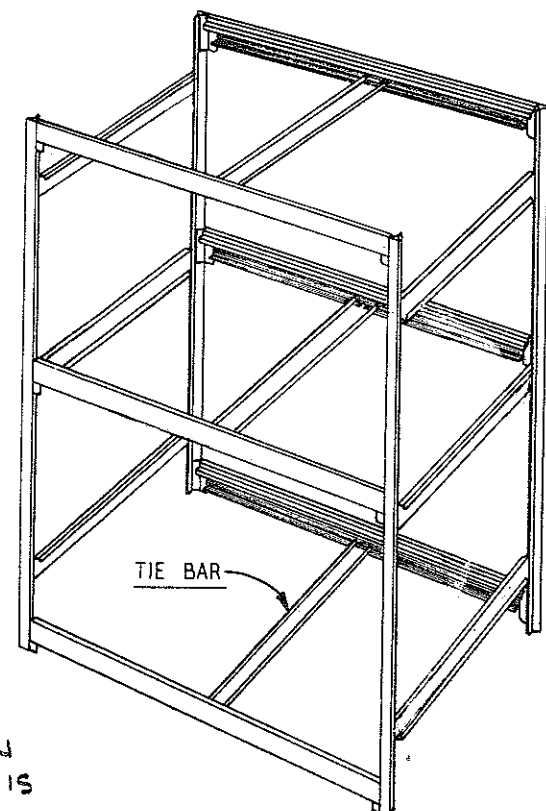


LOCKING BEAMS IN PLACE

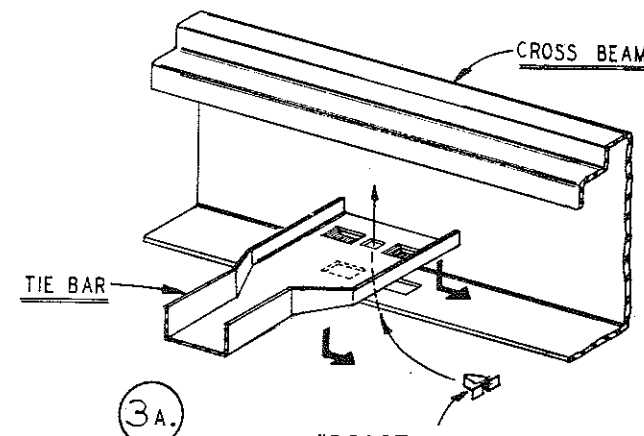


2

DO NOT TIGHTEN END UNTIL UNIT IS COMPLETE.



3



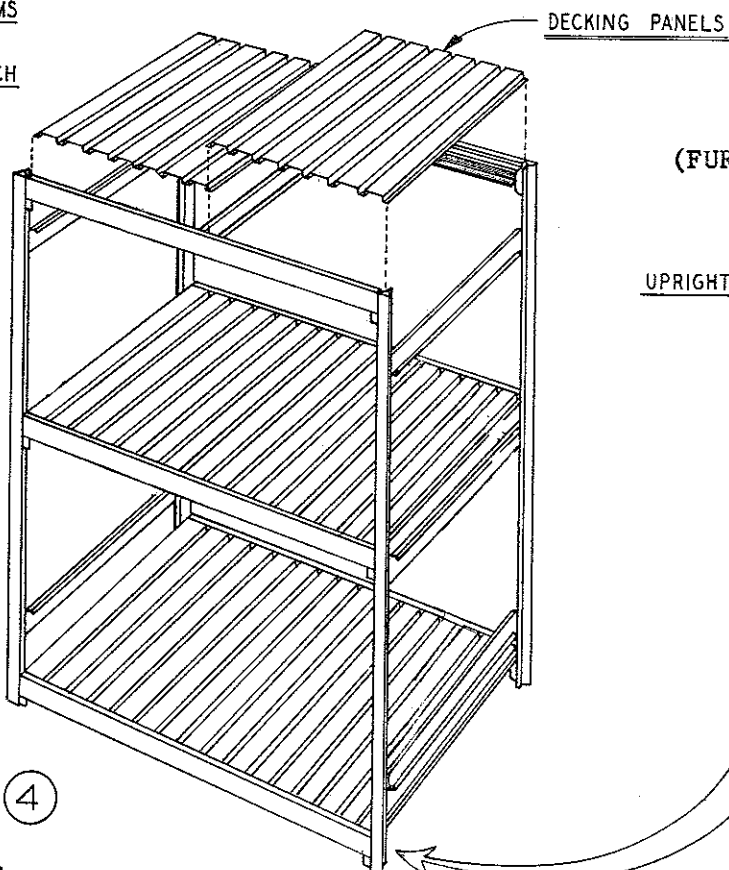
3A.

#13037 DART CLIP
CLIPS MUST BE INSTALLED TO LOCK TIE BARS IN PLACE.

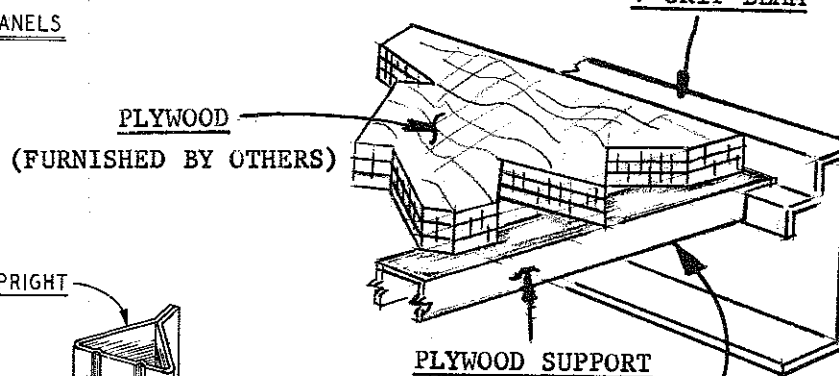
NOTE - TIE BARS MUST BE INSTALLED FOR MAXIMUM UNIT STRENGTH. ONE TIE BAR PER LEVEL FOR FOUR AND FIVE FOOT WIDTH. TWO TIE BARS PER LEVEL FOR SIX AND EIGHT FOOT WIDTH.

V[®] GRIP RACK ASSEMBLY INSTRUCTIONS

- STEP 1. STAND ONE RACK END VERTICALLY. NOTE THAT LARGER PORTION OF UPRIGHT SLOTS ARE TOWARD THE TOP. (SEE FIG. 1 & 1A.)
- STEP 2. INSERT HOOKS ON END OF ONE CROSS BEAM INTO SLOTS IN RACK END UPRIGHT AT LOWEST LEVEL AND PUSH DOWN. (SEE FIG. 1B.) REPEAT THIS SAME PROCEDURE WITH 2ND CROSS BEAM AT THE OPPOSITE UPRIGHT OF THE SAME RACK END. (SEE FIG. 1.) BE SURE CROSS BEAMS HAVE THE SAME WEIGHT CARRYING CAPACITY AND ARE INSTALLED AT THE SAME HEIGHT IN BOTH UPRIGHTS.
- STEP 3. STAND ANOTHER RACK END VERTICALLY BUT WITH THE DIAGONAL BRACING RUNNING IN THE OPPOSITE DIRECTION FROM THE FIRST RACK END. INSERT HOOKS ON THE OPPOSITE ENDS OF THE TWO PARTIALLY ASSEMBLED CROSS BEAMS INTO CORRESPONDING SLOTS IN THE 2ND RACK END. (SEE FIG. 2.)
- STEP 4. INSTALL REMAINING CROSS BEAMS INTO RACK BY HOOKING BOTH ENDS OF EACH CROSS BEAM INTO UPRIGHT SLOTS OF BOTH RACK ENDS. BE SURE EACH BEAM IS PARALLEL WITH THE FLOOR AND EACH PAIR OF BEAMS IS LOCATED AT THE SAME HEIGHT ON THE RACK ENDS. (SEE FIG. 2.)
- STEP 5. INSTALL TIE BARS AS SHOWN IN FIGS. 3 & 3A. ASSEMBLE TIE BAR BY INSERTING HOOKS ON EACH END OF THE TIE BAR INTO SLOTS IN BOTTOM FLANGE OF BOTH CROSS BEAMS. (SEE FIG. 3A.) NOTE - ALL 6' AND 8' WIDE UNITS MUST HAVE 2 TIE BARS INSTALLED FOR EACH PAIR OF CROSS BEAMS.

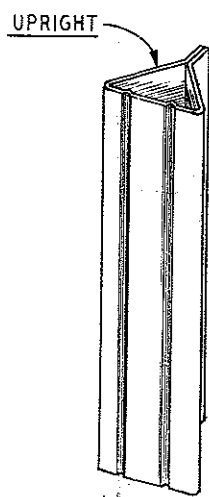


4



PLYWOOD SUPPORTS

Sizes of plywood required
5/8" Thick x 22-1/8", 34-1/8"
and 46-1/8" Deep.



5

FLOOR OR CEILING ANCHOR
R.H. & L.H. AVAILABLE

DECKING - STEEL DECKING PANELS ARE OPTIONAL EQUIPMENT. IF REQUIRED, INSTALL AS SHOWN IN FIG. 4. NOTE - DECKING PANELS MAY BE PLACED IN RACK WITH SMALLER RIBS FACING EITHER UP OR DOWN. IMPORTANT - RIBS IN DECKING PANELS MUST SPAN FROM ONE CROSS BEAM TO ANOTHER WHICH IS FROM FRONT TO REAR IN THE RACK.

ADDITIONAL DECKING STRENGTH - WHENEVER ADDITIONAL STRENGTH IS DESIRED ON DECKING, PLACE A 2ND LAYER OF DECKING PANELS ON TOP OF ORIGINAL LAYER OF PANELS AS SHOWN IN FIG. 6.

FLOOR & CEILING ANCHORS (OPTIONAL) - TO INSTALL, HOOK INTO RACK END UPRIGHT SLOTS SHOWN IN FIG. 5 AND FASTEN TO FLOOR OR CEILING.