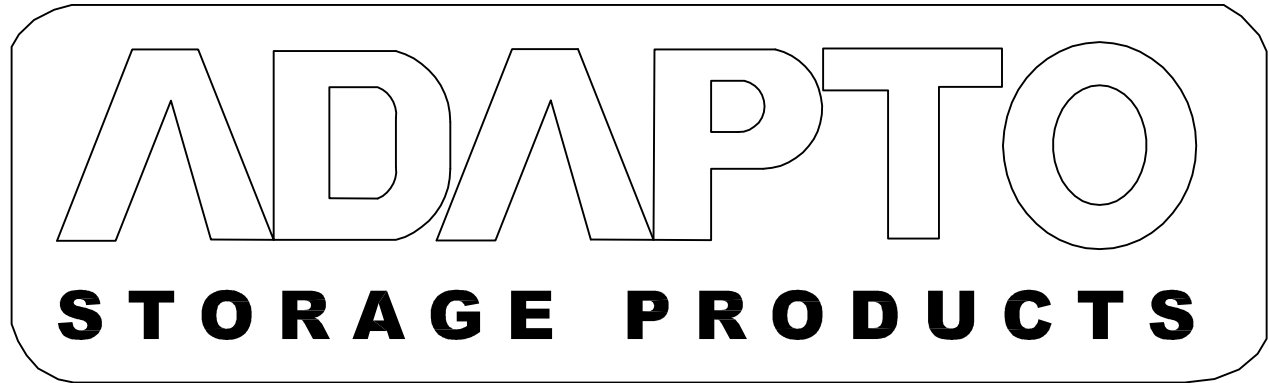


107ASY

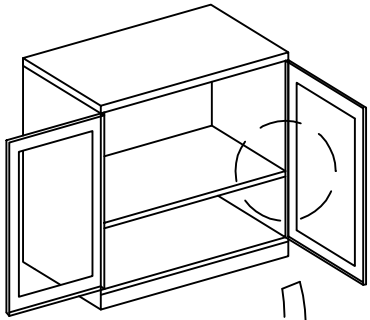


Wall Hung Cabinet
Assembly Instructions

READ INSTRUCTIONS BEFORE ASSEMBLING

WALL HUNG CABINET ASSEMBLY

DOOR HANDLE/SUPPORT CLIP

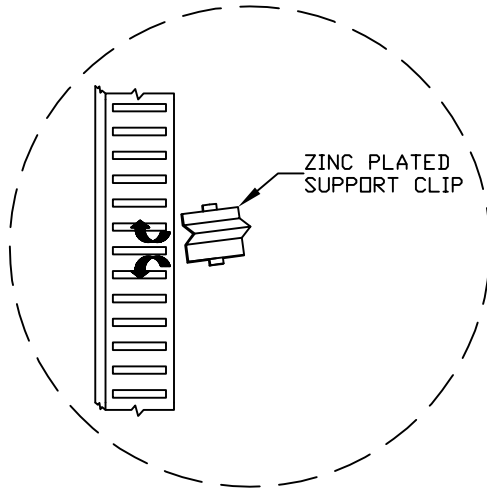


TO INSTALL, SUPPORT CLIP FIRMLY WITH THUMB AND FOREFINGER AND INSERT TOP LUG INTO DESIRED SLOT IN STRIP.

PINCH CLIP TIGHTLY AND PUSH BOTTOM INTO MATCH SLOT IN STRIP FIRMLY.

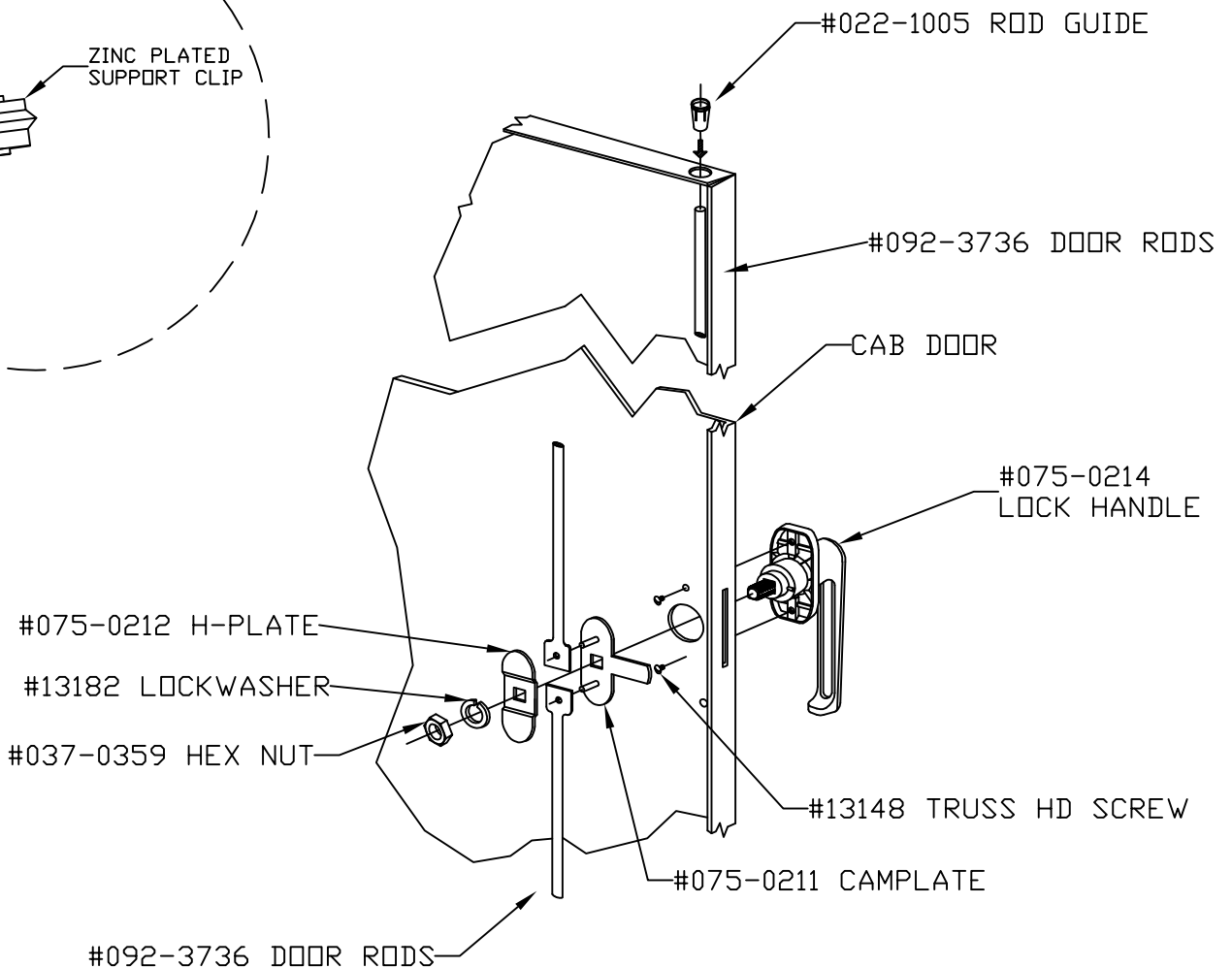
PLACE ROD GUIDES INTO THE HOLES AT THE TOP AND BOTTOM OF THE DOOR, TAP TO SEAT.

PLACE THE TOP DOOR ROD THROUGH THE TOP ROD GUIDE, THEN ATTACH THE FLAT END TO THE CAM PLATE.



ZINC PLATED SUPPORT CLIP

TOP OF DOOR SHOWN



PLACE THE BOTTOM DOOR ROD THROUGH THE BOTTOM ROD GUIDE, THEN ATTACH THE FLAT END TO THE CAM PLATE.