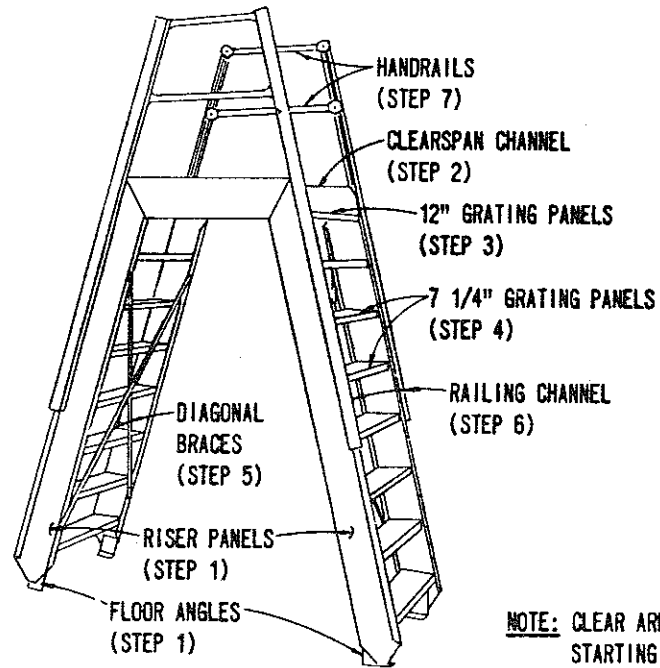
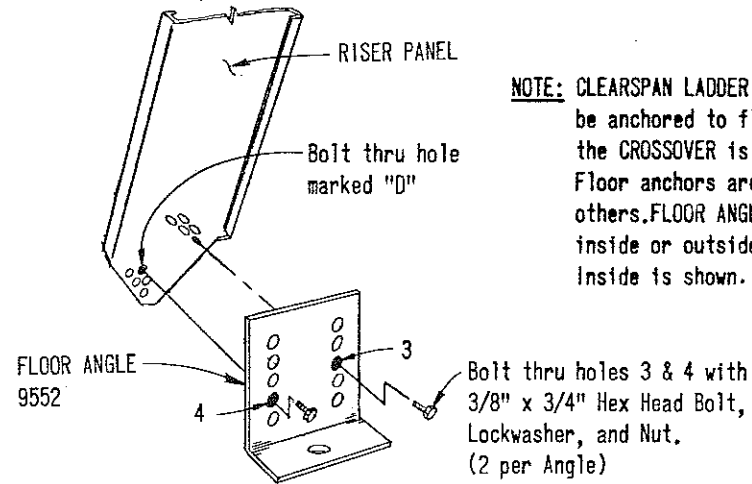
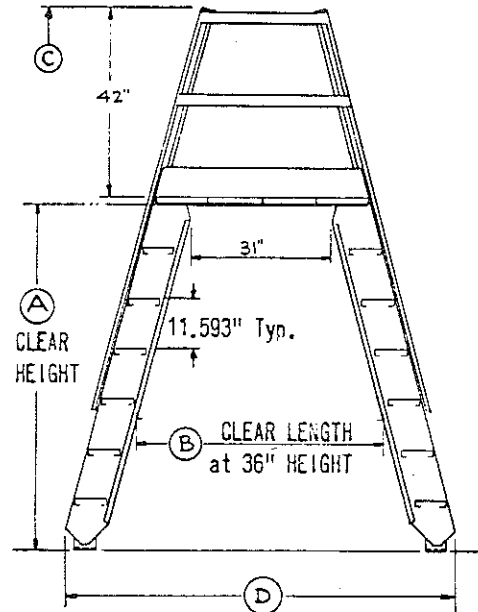


**ASSEMBLY INSTRUCTIONS**  
**FOR**  
**CLEARSPAN LADDER CROSSOVER**



**NOTE:** CLEAR AREA OF OBSTRUCTIONS BEFORE STARTING CROSSOVER ASSEMBLY.

- LADDER ASSEMBLY PROCEDURE**
- STEP 1. ASSEMBLE FLOOR ANGLES TO RISER PANELS.
  - STEP 2. ASSEMBLE CLEARSPAN CHANNEL TO RISER PANELS.
  - STEP 3. ASSEMBLE TREAD TO CLEARSPAN CHANNEL.
  - STEP 4. ASSEMBLE TREAD TO RISER PANELS.
  - STEP 5. ASSEMBLE DIAGONAL BRACES TO RISER PANELS.
  - STEP 6. ASSEMBLE RAILING TO RISER PANELS.
  - STEP 7. ASSEMBLE HANDRAILS TO RAILING CHANNELS.
- NOTE:** SEE OPPOSITE SIDE OF DRAWING FOR STEPS 5, 6, & 7.

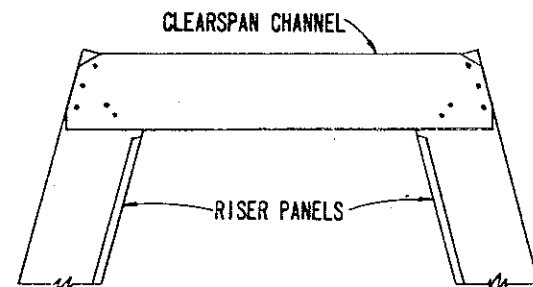


**NOTE:** CLEARSPAN LADDER CROSSOVER is to be anchored to floor but not until the CROSSOVER is completely assembled. Floor anchors are to be furnished by others. FLOOR ANGLES may be installed inside or outside of the RISER PANELS. Inside is shown.

**1 ASSEMBLING FLOOR ANGLES TO RISER PANELS**

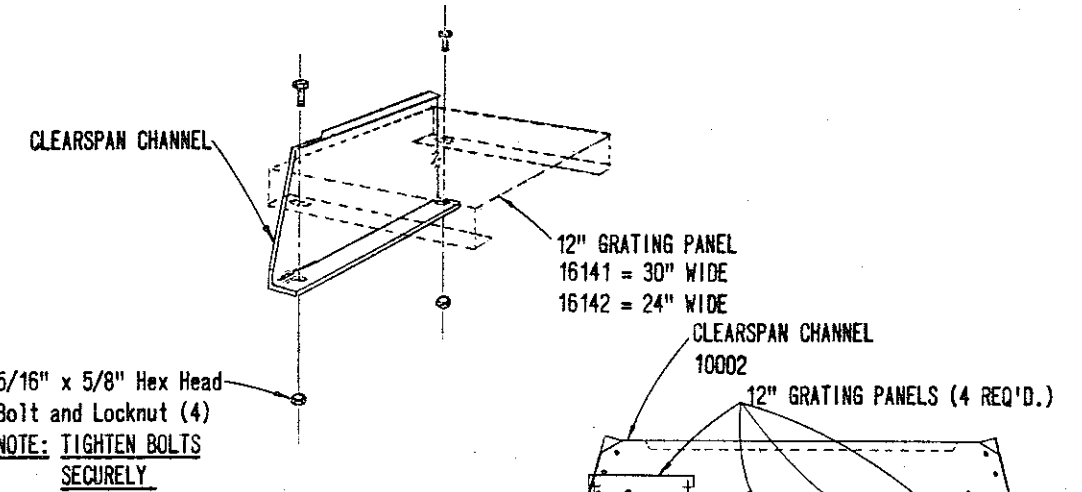
UNIT WIDTHS		'A'	'B'	'C'	'D'
24"	30"	HEIGHT	LENGTH	HEIGHT	LENGTH
924X04	930X04	42"	34"	7' 2"	5' 9"
924X05	930X05	54"	40"	8' 1"	6' 3"
924X06	930X06	65"	46"	9' 1"	6' 10"
924X07	930X07	77"	52"	10' 1"	7' 4"
924X08	930X08	88"	59"	11' 0"	7' 10"
924X09	930X09	100"	65"	12' 0"	8' 4"
924X10	930X10	112"	71"	12' 11"	8' 10"
924X11	930X11	123"	77"	13' 11"	9' 5"

#924 Ladder Treads are 23-3/4" wide and 7-1/4" deep.  
#930 Ladder Treads are 29-3/4" wide and 7-1/4" deep.  
Overall width of #924 Ladders is 29".  
Overall width of #930 Ladders is 35".  
Ladder inclines are at 75° to the horizontal plane.  
**NOTE - All Ladder feet must be anchored to the floor.**

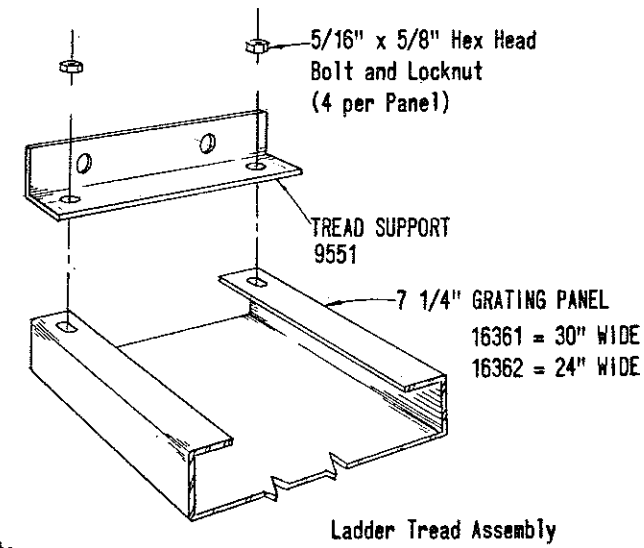


**2 ASSEMBLING CLEARSPAN CHANNEL TO RISER PANELS**

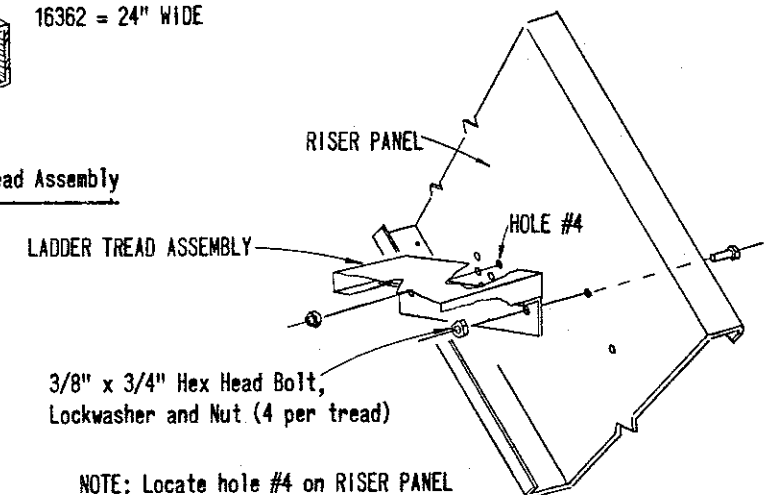
Attach CLEARSPAN CHANNEL to RISER PANELS with 3/8" x 3/4" Hex Head Bolt, Lockwasher and Nut (5 Bolts per end)  
**NOTE:** Assemble One (1) R.H. & One (1) L.H. unit as shown before going to STEP 3.



**3 ASSEMBLING TREAD TO CLEARSPAN CHANNEL**



**NOTE:** After Assembling 1 R.H. & 1 L.H. Upright unit attach all Four (4) 12" Grating Panels as shown above.



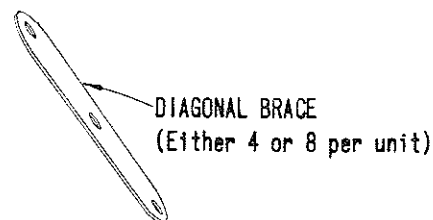
**NOTE:** Locate hole #4 on RISER PANEL level Tread Assembly and bolt.

**4 ASSEMBLING TREAD TO RISER PANELS**

**ASSEMBLY PRECAUTION**

DIAGONAL BRACES MUST BE ATTACHED TO LADDER TO PROVIDE STABILITY. FAILURE TO ATTACH THE BRACES WILL RESULT IN AN UNSAFE UNIT.

24" Wide Unit BRACES are  
33 23/32" long (6492)  
30" Wide Unit BRACES are  
38 1/8" long. (6493)

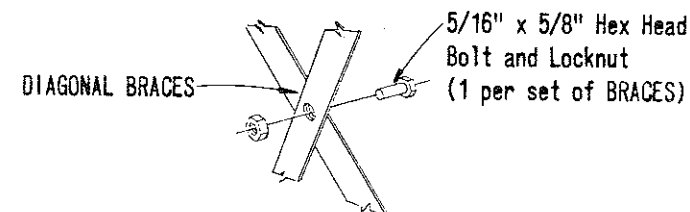


UNITS X04 THRU X06



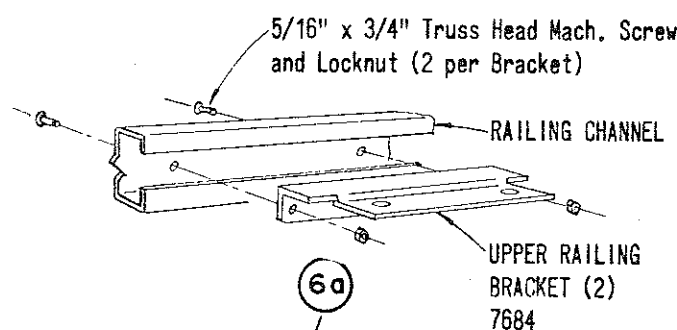
**BACK VIEW OF LADDER AND BRACING LAYOUT**

**NOTE:** Bolt DIAGONAL BRACES to RISER PANELS in holes at LADDER TREAD (12" C.C.) as shown above. Top tread shown above is a 12" GRATING PANEL.



**NOTE:** After DIAGONAL BRACES are bolted in place bolt BRACES in the middle as shown above.

## 5 ASSEMBLING DIAGONAL BRACES TO RISER PANELS



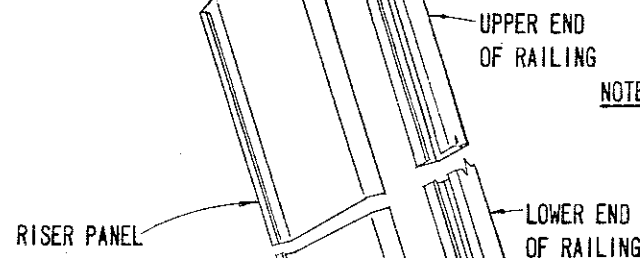
**NOTE:** Assemble railing to unit only after treads have been installed.

**RAILING ASSEMBLY PROCEDURE**

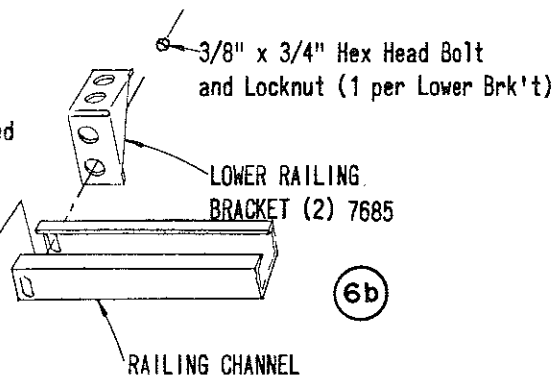
- STEP 1. FASTEN UPPER RAILING BRACKETS TO RAILING CHANNELS AS SHOWN ON DETAIL (6a)
- STEP 2. FASTEN LOWER RAILING BRACKETS TO RAILING CHANNEL AS SHOWN ON DETAIL (6b)
- STEP 3. ATTACH UPPER END OF THE RAILING CHANNEL TO THE RISER PANEL, BOLTING THROUGH THE UPPER RAILING BRACKET AND THE RISER. FASTEN THE LOWER END OF THE RAILING CHANNEL TO THE RISER PANEL, BOLTING THROUGH THE LOWER RAILING BRACKET AND THE RISER. SEE DETAIL (6c)

5/16" x 3/4" Truss Head Mach. Screw and Locknut (2)

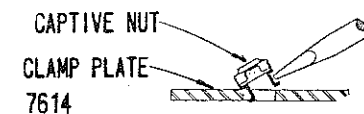
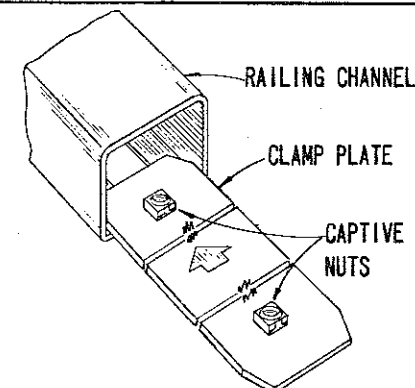
**NOTE:** ATTACH THE UPPER END OF THE RAILING BEFORE THE BOTTOM END.



**NOTE:** Some tread bolts will have to be removed and re installed when fastening lower railing to unit.

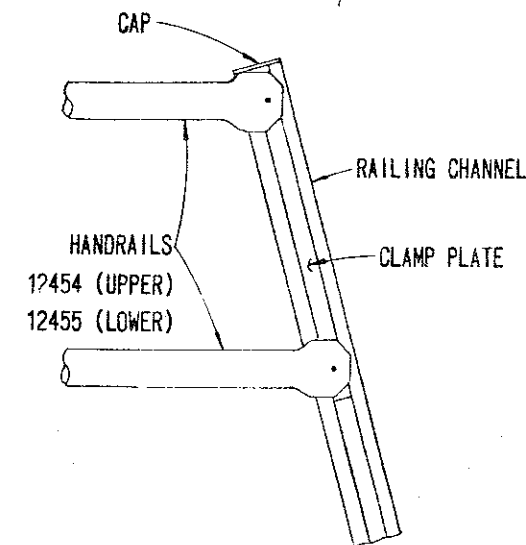


## 6 ASSEMBLING RAILING TO RISER PANELS



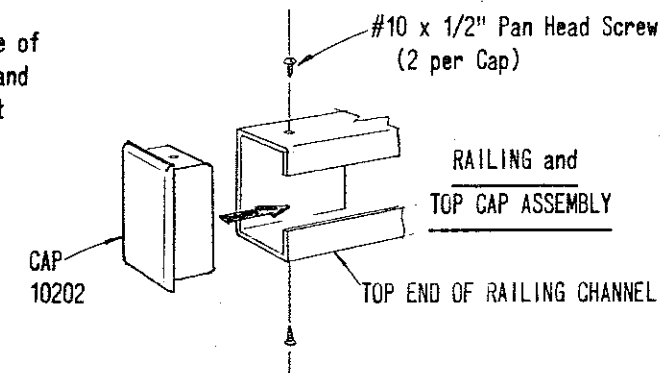
**CAPTIVE NUT ASSEMBLY**

Insert one lip of nut retainer into hole in plate. Insert blade of screwdriver into remaining lip and push in and down to complete nut assembly.



**Handrails and Railing Channel Assembly**

Insert CLAMP PLATE into RAILING as shown. Fasten HANDRAILS with 1/4" x 1 1/4" Truss Head Bolt and Captive Nut. After assembly attach CAP as shown.



## 7 ASSEMBLING HANDRAILS TO RAILING CHANNELS