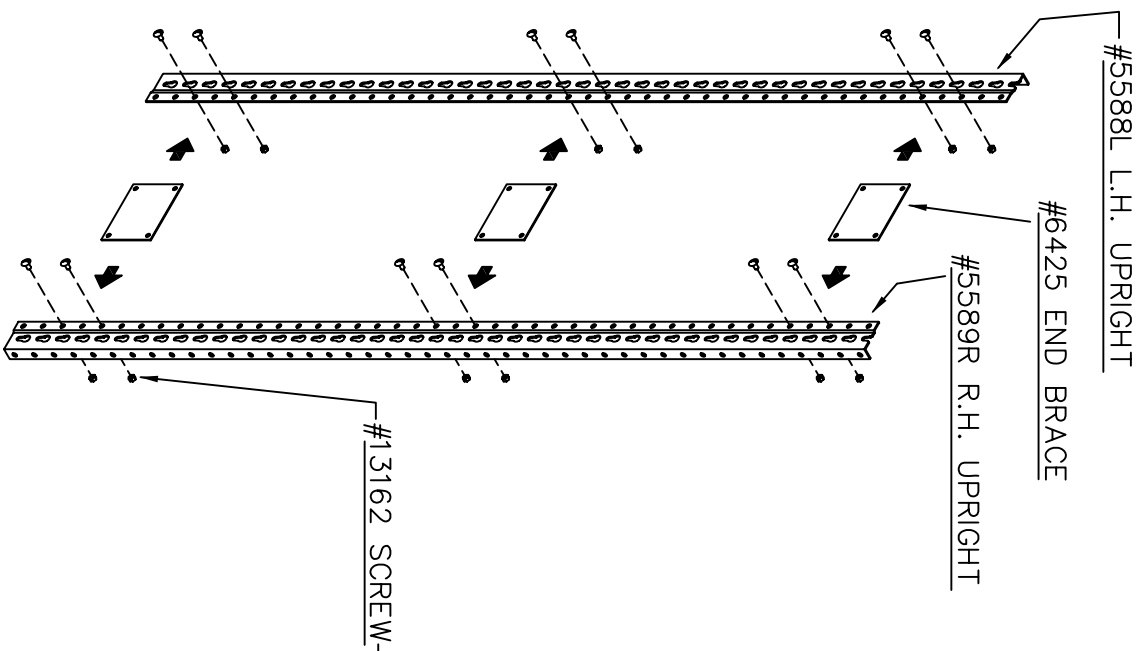


1. END FRAME ASS'Y

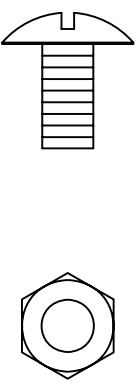


NOTE:

BOLT BRACE PLATE TO THE LONGEST FLANGE OF THE UPRIGHT AS SHOWN. MAKE TWO END ASSEMBLIES.

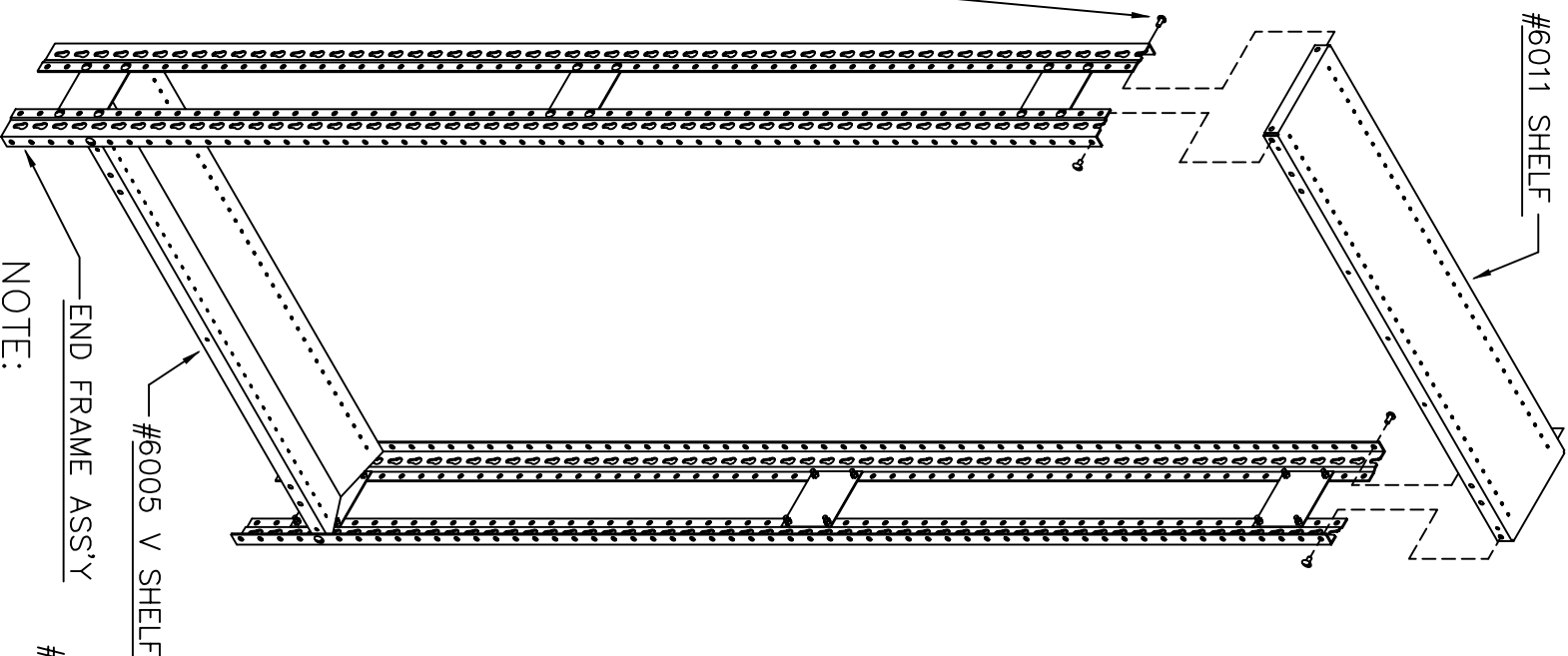
#13162 TRUSS HEAD SCREW
 1/4" - 20 X 1/2"
 #13060 KEPS NUT 1/4" - 20

(4 PER SHELF)
 (4 PER BRACE)



FULL SCALE

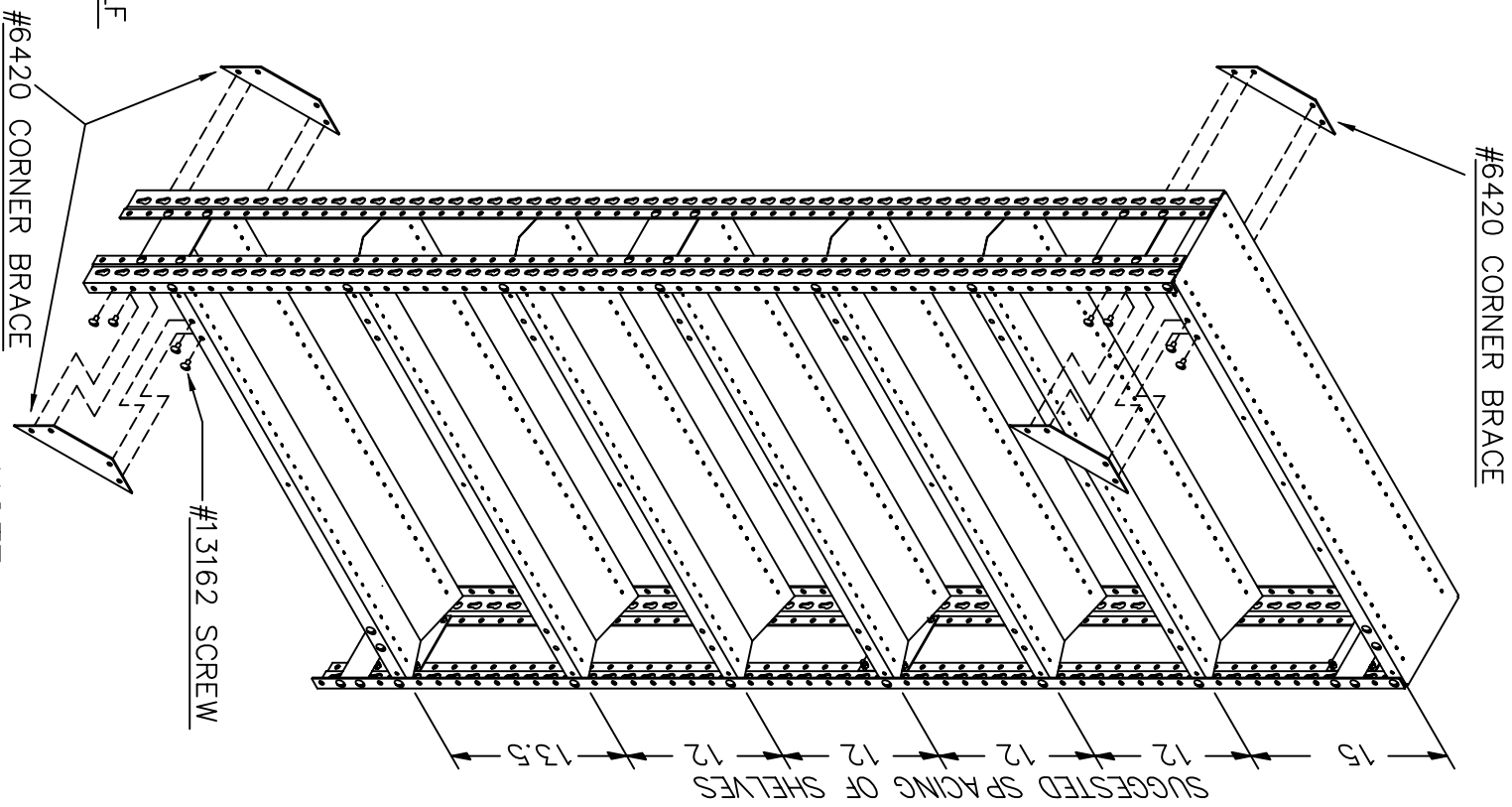
2. SHELVES ASSEMBLY



NOTE:

ASSEMBLE BOTTOM SHELF FIRST. AFTER ASSEMBLING THE TOP SHELF, BOLT THE REMAINING V SHELVES TO UPRIGHTS. NOTE TOP SHELF IS A REGULAR TYPE OF SHELF NOT A V SHELF.

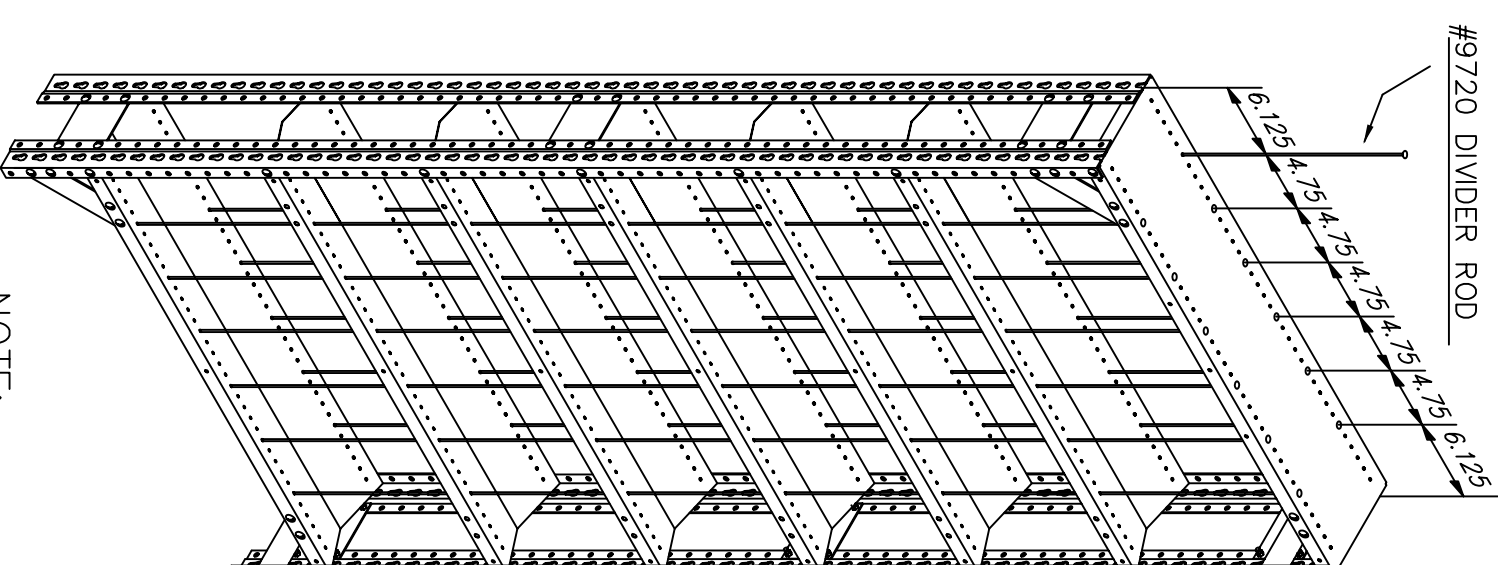
3. CORNER BRACE ASSEMBLY



NOTE:

ASSEMBLE 4 CORNER BRACES AT THE BOTTOM SHELF AND 4 CORNER BRACES AT THE TOP SHELF. ALL CORNER BRACES ARE BOLTED INSIDE THE UNIT.

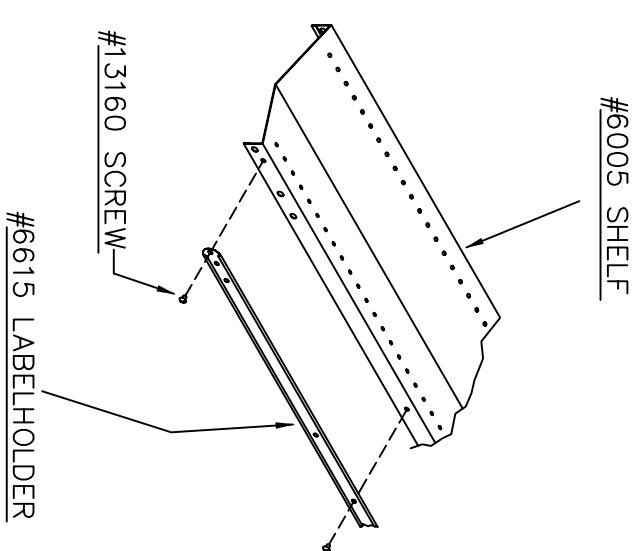
4. RODS INSTALLATION



NOTE:

LAY DOWN THE UNIT, INSERT THE HEADED DIVIDER RODS INTO HOLES IN TOP SHELF AND FEED THRU HOLES IN LOWER SHELVES. AFTER ALL RODS ARE INSTALLED STAND UP THE UNIT.

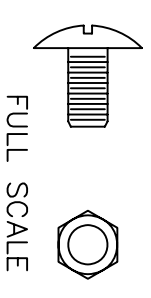
5. LABELHOLDER (OPTIONAL)



NOTE:

BOLT LABELHOLDERS TO FRONT OF SHELVES AS SHOWN.

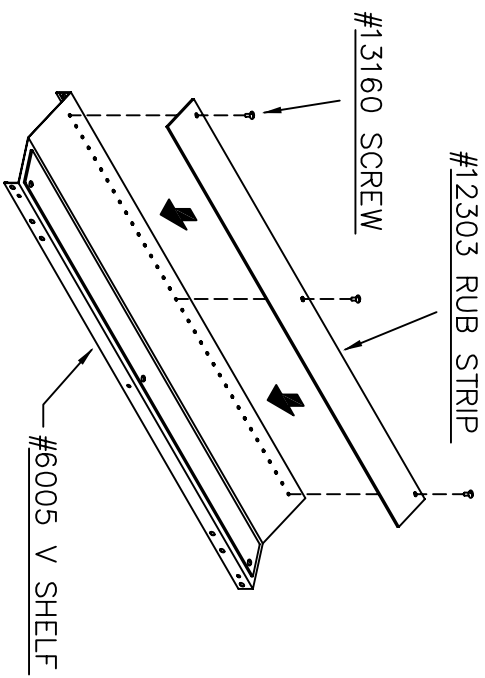
#13160 SLOTTED TRUSS SCREW
 #10-24 X 3/8"
 #13061 #10-24 KEPS NUT
 (3 PER LABELHOLDER)



FULL SCALE

(SEE OPPOSITE SIDE FOR 879-7 DISC STORAGE RACK)

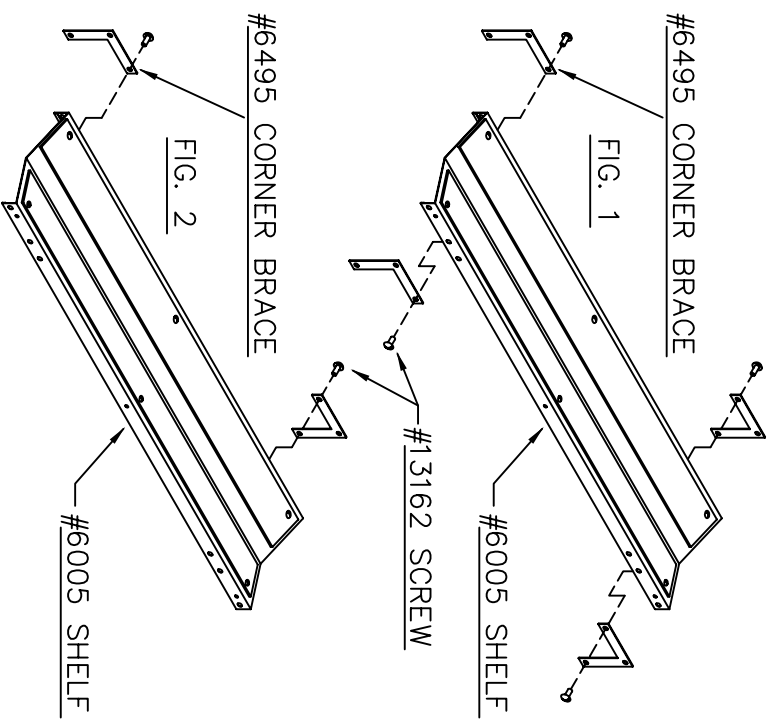
1. RUB STRIP ASS'Y



NOTE:

BOLT RUB STRIPS TO TOP SURFACE OF SHELVES. TIGHTEN ALL HARDWARE SECURELY.

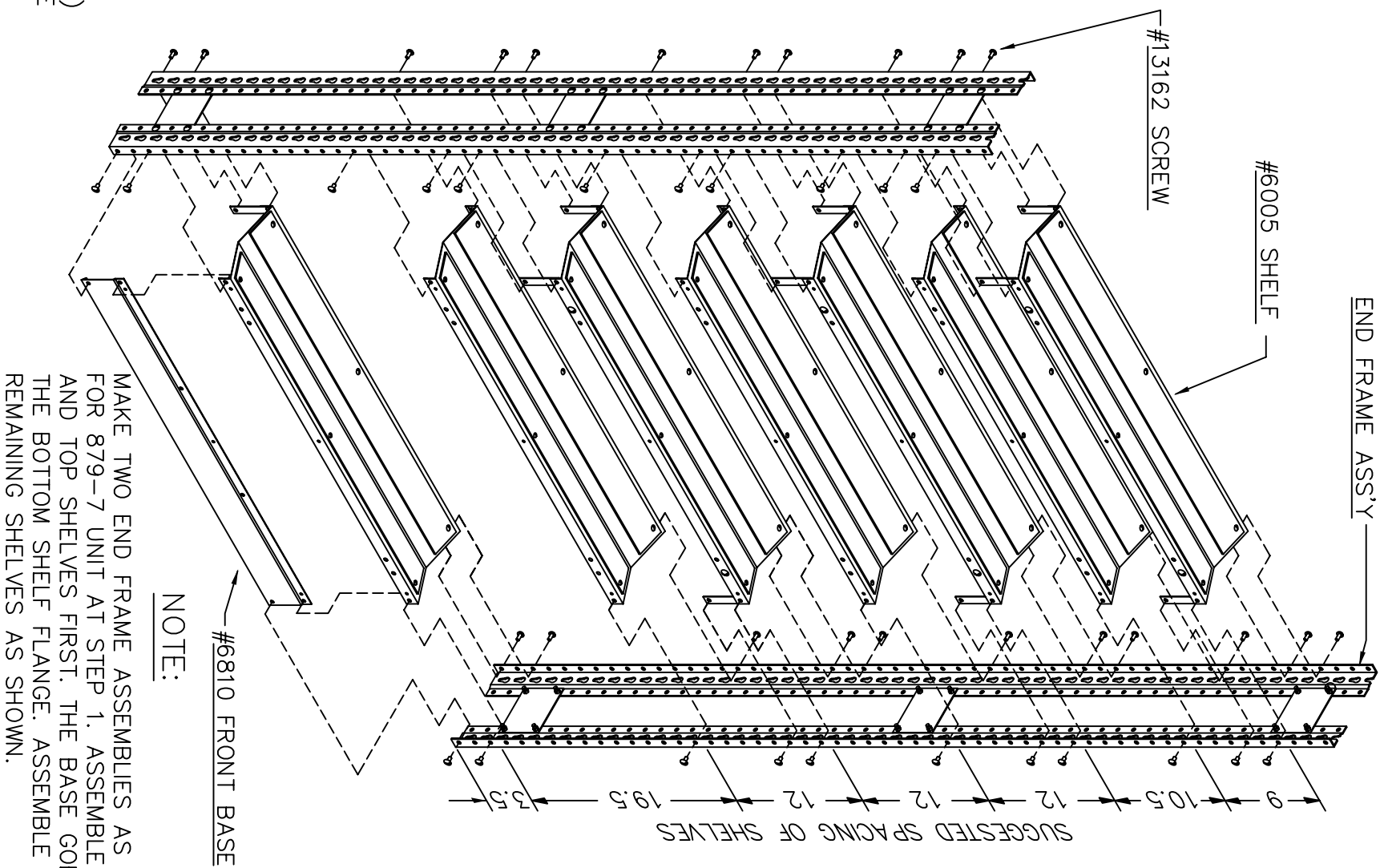
2. CORNER BRACE ASS'Y



NOTE:

ASSEMBLE CORNER BRACES TO THREE SHELVES, ONE BRACE FOR EACH CORNER OF EACH SHELF AS SHOWN IN FIG. 1. ASSEMBLE TWO BRACES AT THE REAR OF ANOTHER SHELF (BOTTOM SHELF) AS SHOWN IN FIG. 2. NOTE THAT ALL BRACES ARE BOLTED INSIDE THE SHELF.

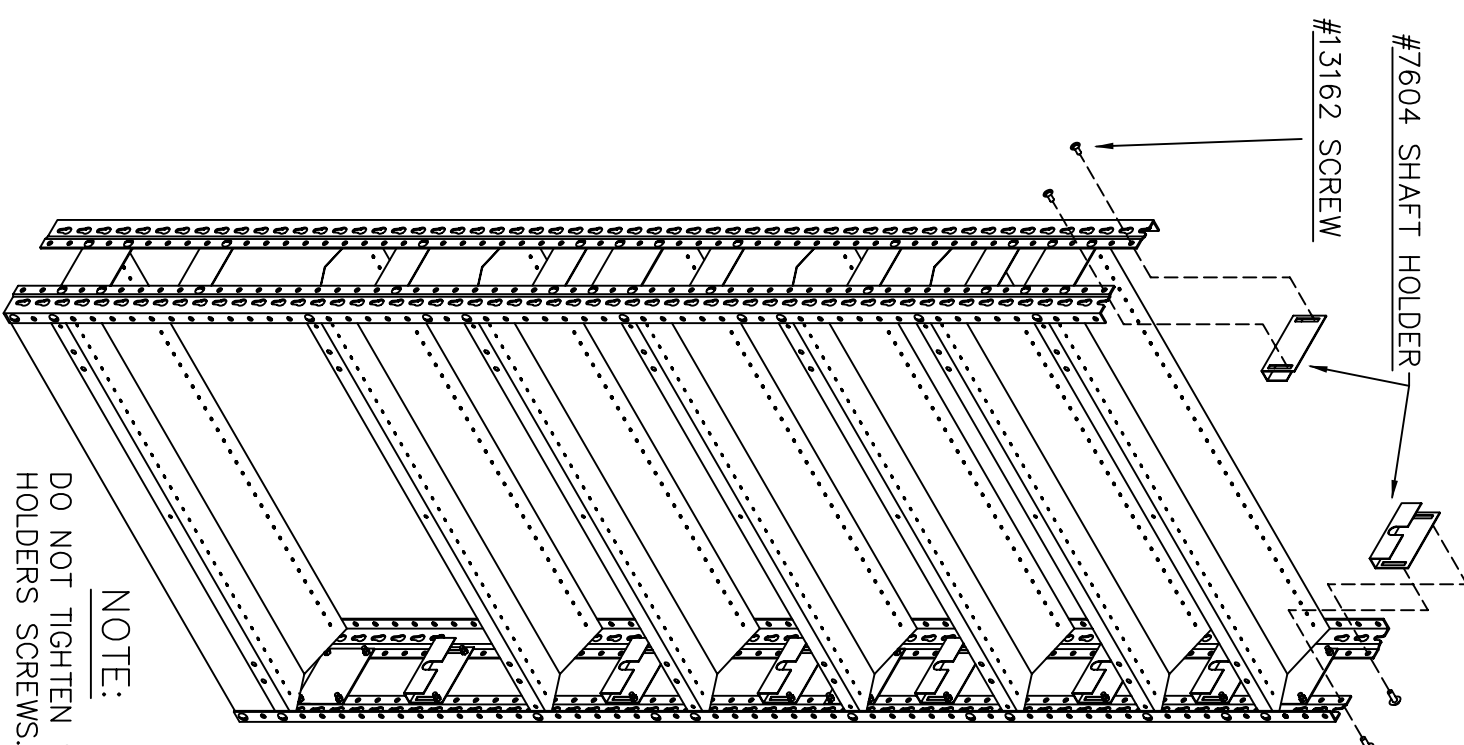
3. SHELVES ASSEMBLY



NOTE:

MAKE TWO END FRAME ASSEMBLIES AS SHOWN FOR 879-7 UNIT AT STEP 1. ASSEMBLE BOTTOM AND TOP SHELVES FIRST. THE BASE GOES UNDER THE BOTTOM SHELF FLANGE. ASSEMBLE THE REMAINING SHELVES AS SHOWN.

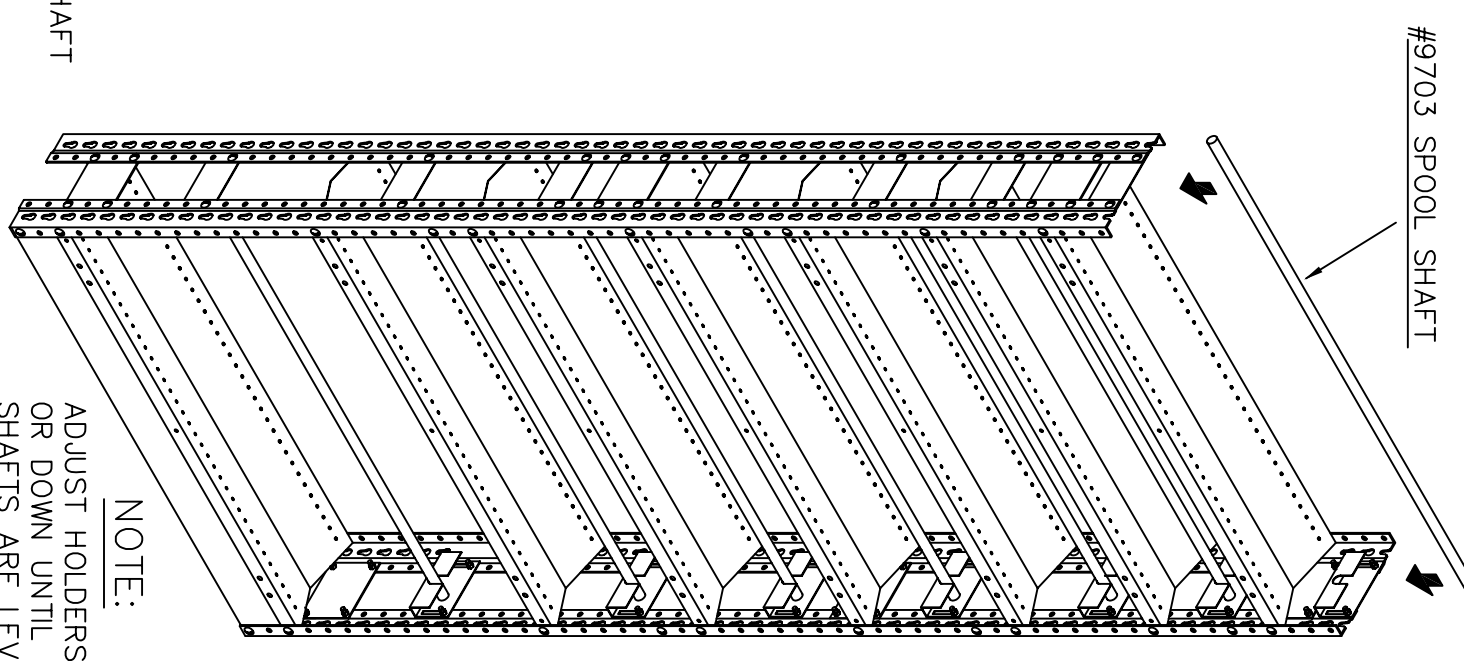
4. SHAFT HOLDER ASS'Y



NOTE:

DO NOT TIGHTEN SHAFT HOLDERS SCREWS.

5. SPOOL SHAFT



NOTE:

ADJUST HOLDERS UP OR DOWN UNTIL THE SHAFTS ARE LEVEL.

#13162 TRUSS HEAD SCREW 1/4"-20 X 1/2"	#13160 SLOT. TRUSS SCREW #10-24 X 3/8"	MINIMUM SHELF SPACING
#13060 KEPS 1/4"-20	#13061 #10-24 KEPS NUT	3.75" DIA. SPOOLS - 6"
FULL SCALE	FULL SCALE	5" DIA. SPOOLS - 7.5"
		5.25" DIA. SPOOLS - 7.5"
		6.5" DIA. SPOOLS - 9"
		15.5" DIA. SPOOLS - 19.5"