

41675

EQUIPTO

Generation **II** Mezzanine
Railing Assembly
Instructions

READ INSTRUCTIONS BEFORE ASSEMBLING

TABLE OF CONTENTS

A. Mounting Posts

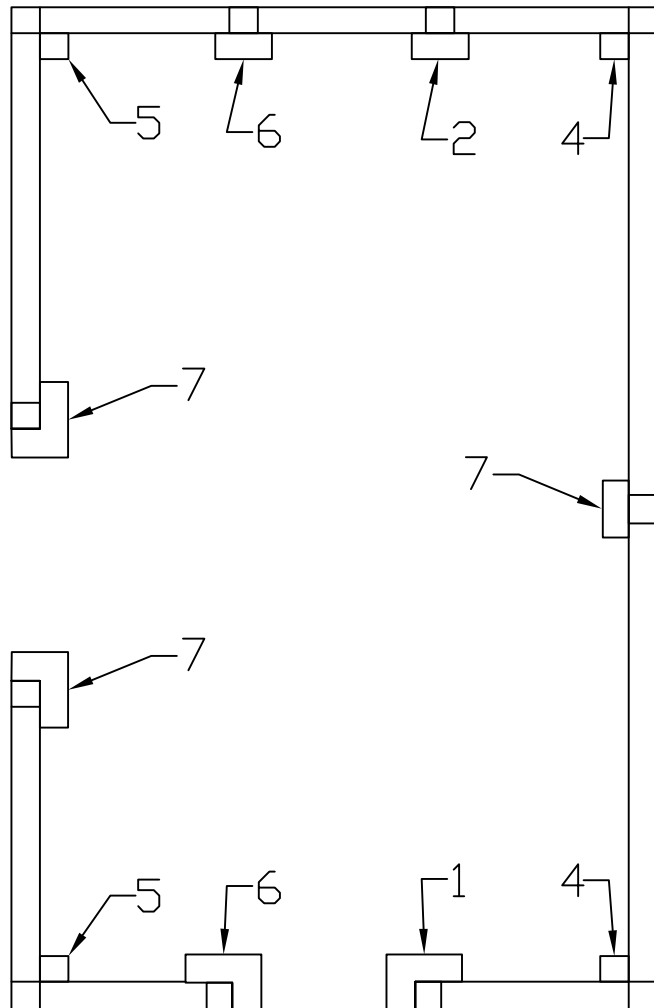
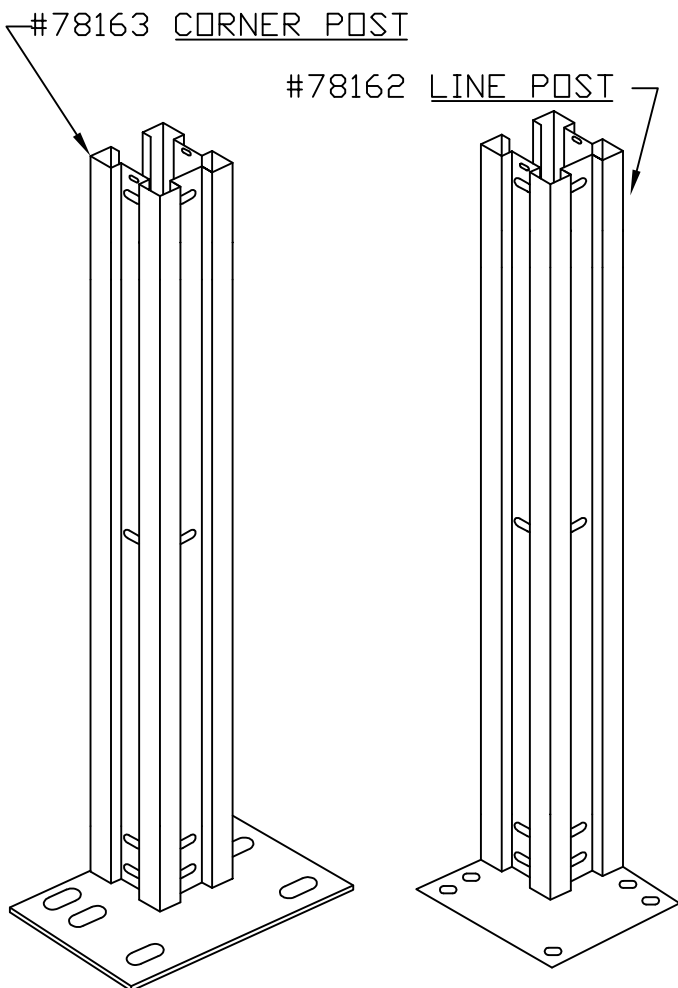
1. 80001 LINE POST, 9" PANEL CORNER.....	PAGE 3
2. 80002 LINE POST, 9" PANEL END.....	PAGE 4
3. 80003 LINE POST, ON FLANGE SIDE 9" PANEL.....	PAGE 5
4. 80004 CORNER POST ON 9" PANEL.....	PAGE 6
5. 80005 CORNER POST ON 12" PANEL.....	PAGE 7
6a. 80006 LINE POST, ON 12" PANEL END.....	PAGE 8
6b. 80006 LINE POST, ON 12" PANEL END.....	PAGE 9
7. 80007 LINE POST, ON FLANGE SIDE 12" PANEL.....	PAGE 10

B. MOUNTING RAILS

8. ASSEMBLE BRACKETS TO POST.....	PAGE 11
9. ASSEMBLE HANDRAIL.....	PAGE 12
10. ASSEMBLE KICKPLATE.....	PAGE 13
11. ASSEMBLE POST CAP.....	PAGE 14

LOCATION OF RAILING POSTS

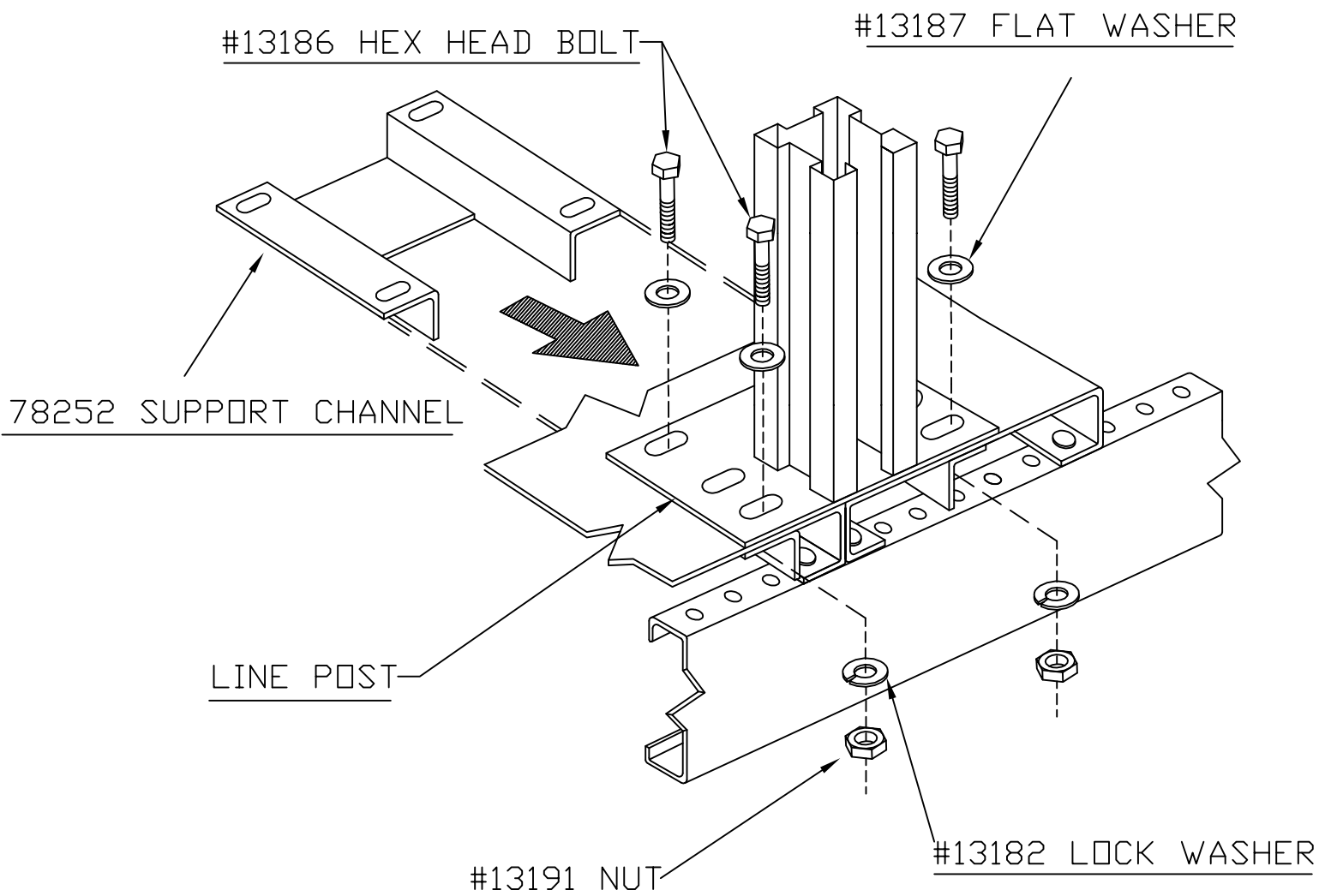
(BY STEP SEQUENCE)



A

MOUNTING POSTS

1. 80001 LINE POST ON 9" PANEL CORNER



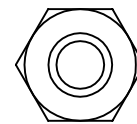
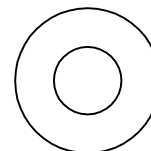
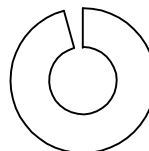
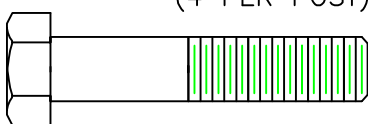
#13186 HEX HEAD BOLT 3/8-16 x 1 3/4"

#13191 NUT 3/8-18

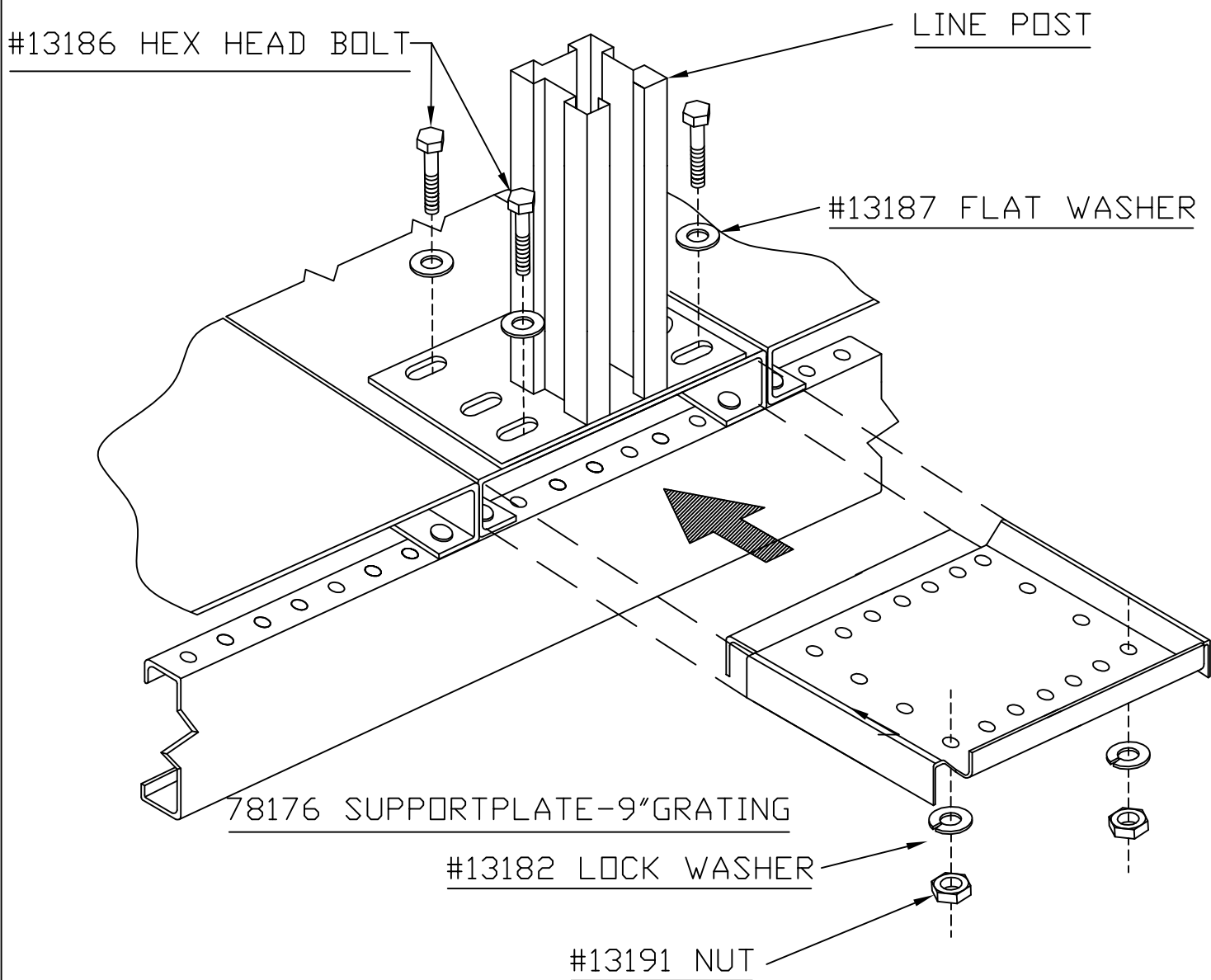
#13187 FLAT WASHER 3/8

#13182 LOCKWASHER

(4 PER POST)



2. 80002 LINE POST ON 9" PANEL END



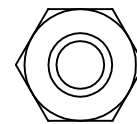
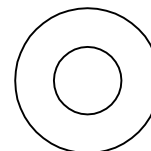
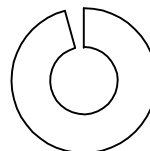
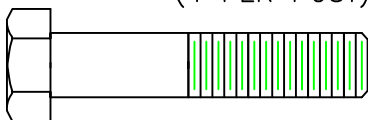
#13186 HEX HEAD BOLT 3/8-16 x 1 3/4"

#13191 NUT 3/8-18

#13187 FLAT WASHER 3/8

#13182 LOCKWASHER

(4 PER POST)



3. 80003 LINE POST ON 9" PANEL

#13186 HEX HEAD BOLT

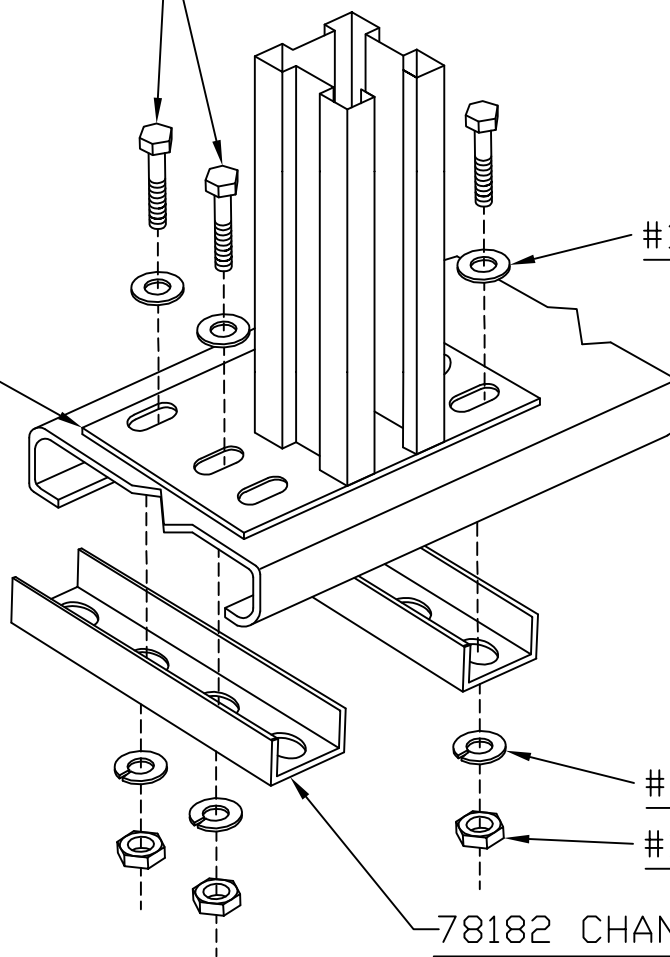
#13187 FLAT WASHER

LINE POST

#13182 LOCK WASHER

#13191 NUT

78182 CHANNEL SUPPORT-7"



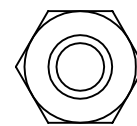
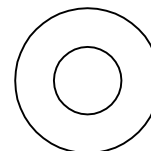
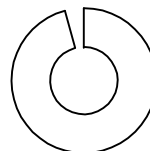
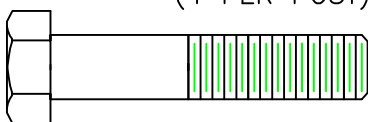
#13186 HEX HEAD BOLT 3/8-16 x 1 3/4"

#13191 NUT 3/8-18

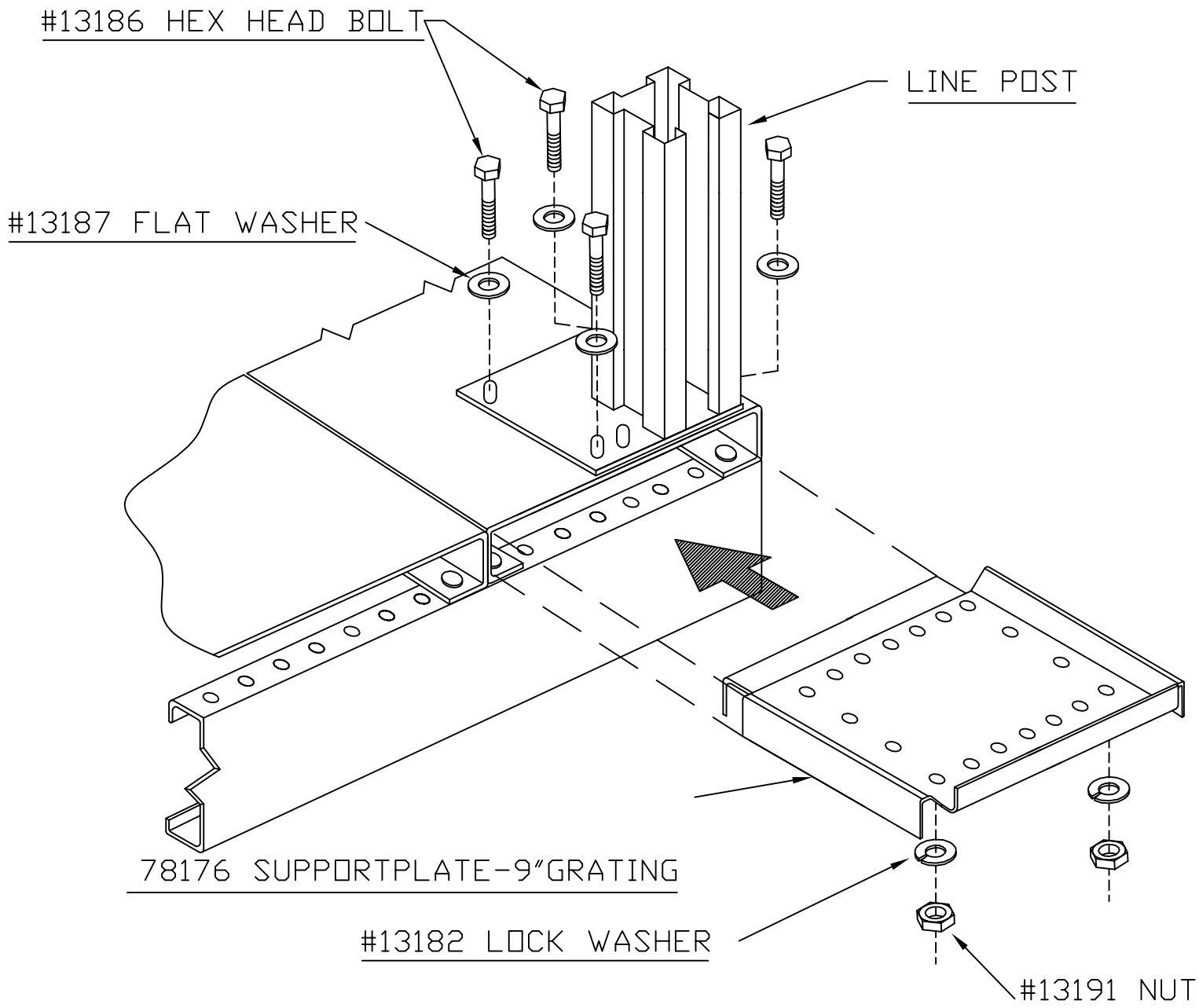
#13187 FLAT WASHER 3/8

#13182 LOCKWASHER

(4 PER POST)



4. 80004 CORNER POST ON 9" PANEL



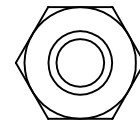
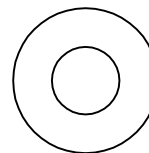
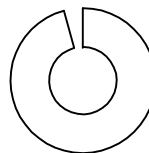
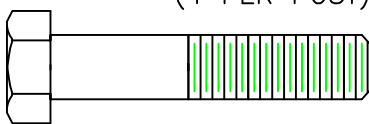
#13186 HEX HEAD BOLT 3/8-16 x 1 3/4"

#13191 NUT 3/8-18

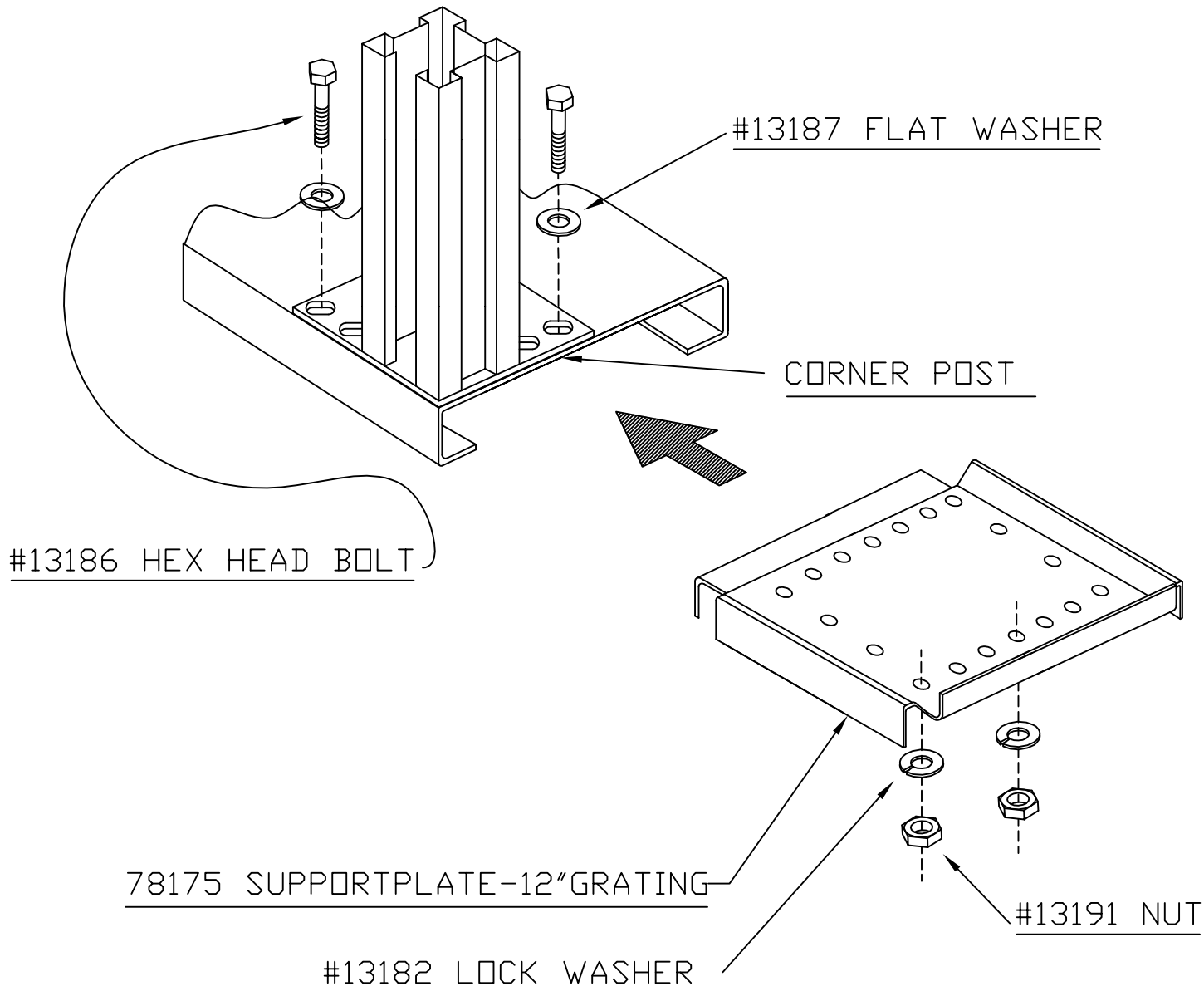
#13187 FLAT WASHER 3/8

#13182 LOCKWASHER

(4 PER POST)



5. 80005 CORNER POST ON 12" PANEL



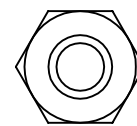
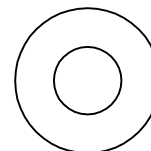
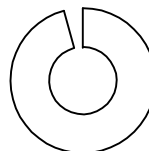
#13186 HEX HEAD BOLT 3/8-16 x 1 3/4"

#13191 NUT 3/8-18

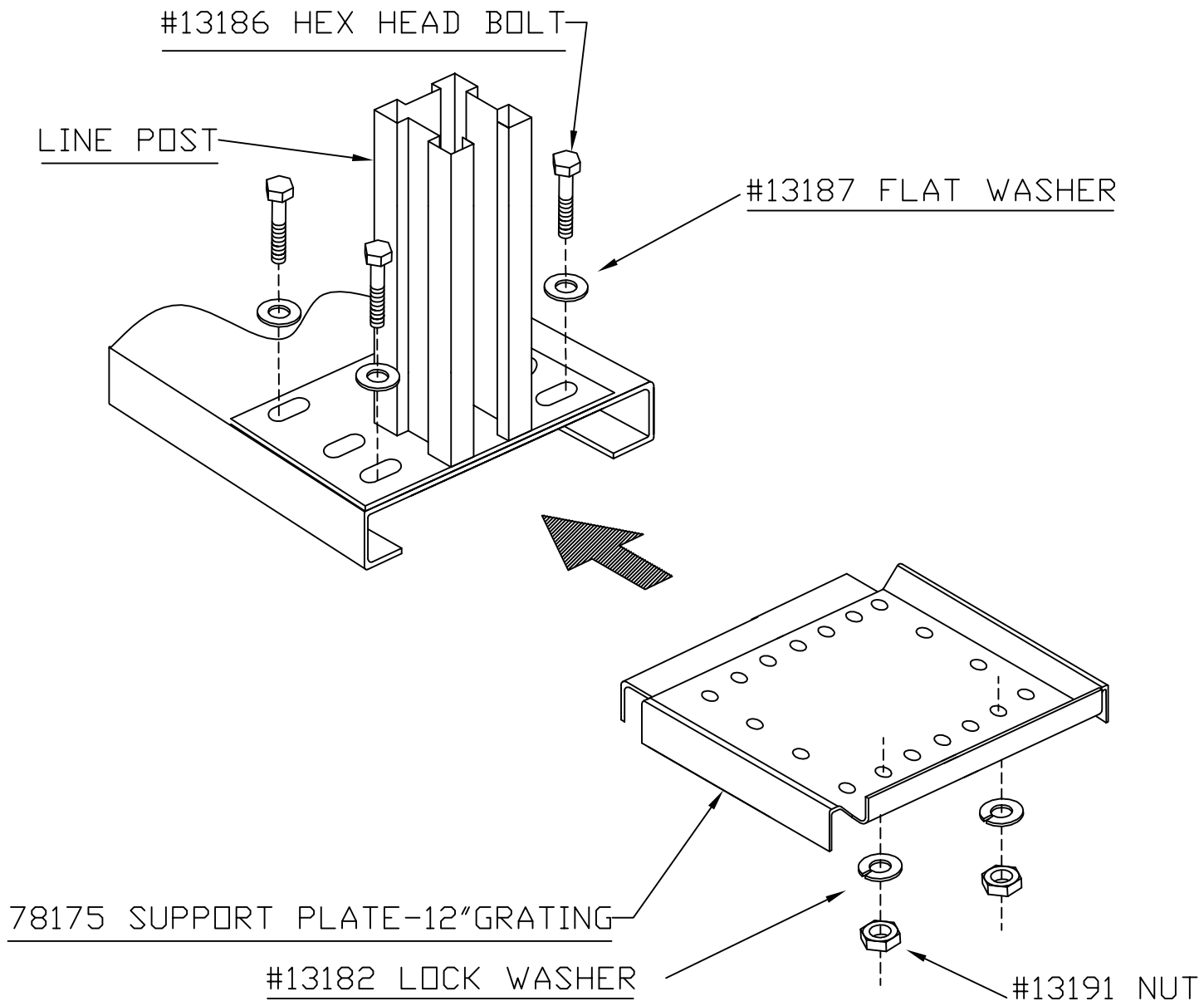
#13187 FLAT WASHER 3/8

#13182 LOCKWASHER

(4 PER POST)



6a. 80006 CORNER POST ON 12" PANEL END



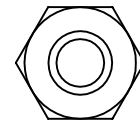
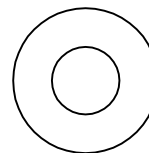
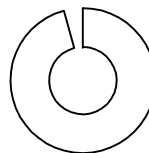
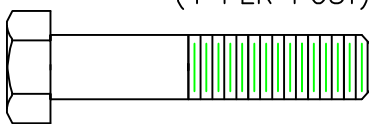
#13186 HEX HEAD BOLT 3/8-16 x 1 3/4"

#13191 NUT 3/8-18

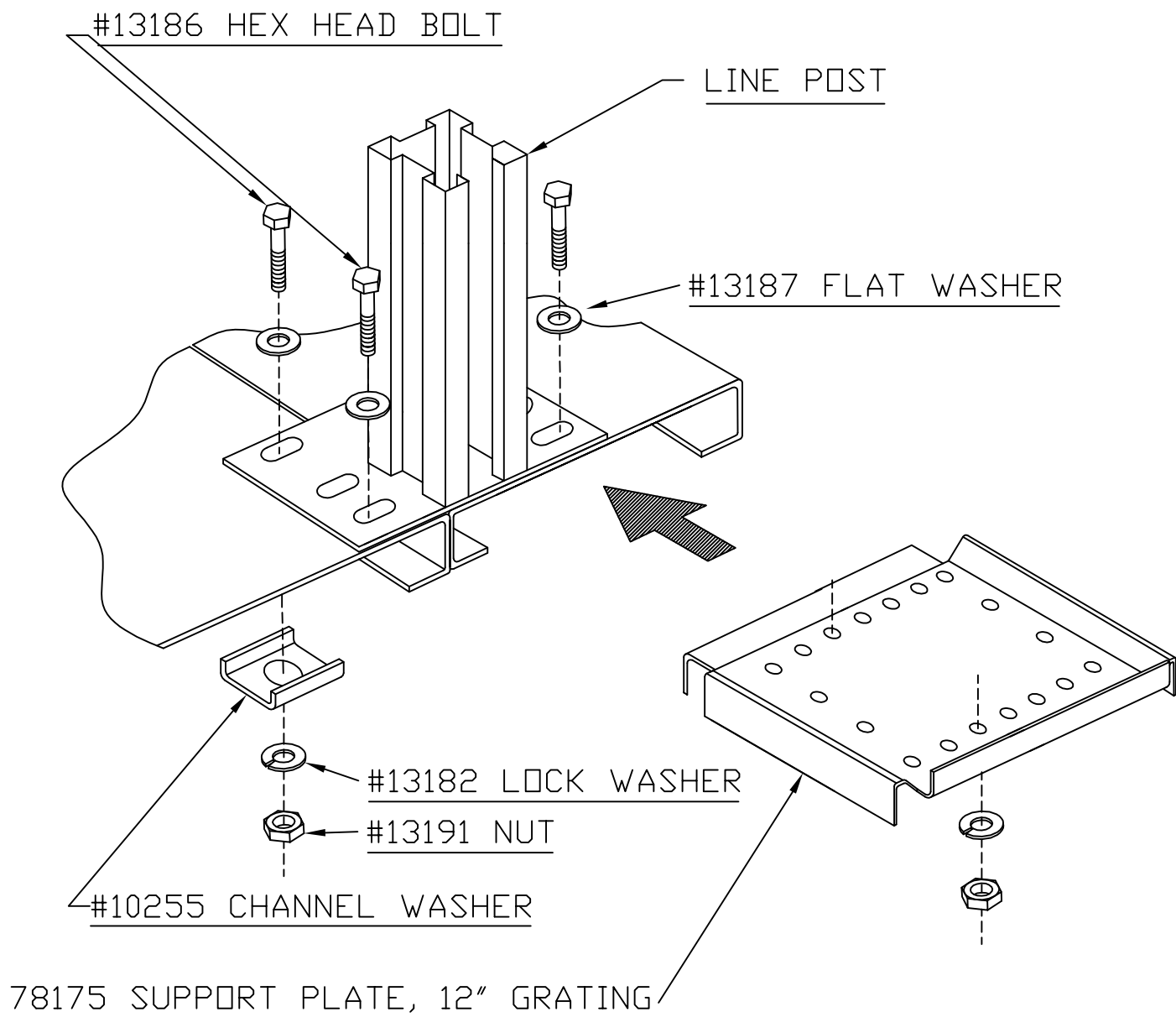
#13187 FLAT WASHER 3/8

#13182 LOCKWASHER

(4 PER POST)



6b. 80006 CORNER POST ON 12" PANEL END



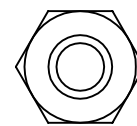
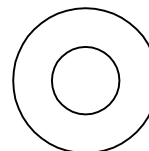
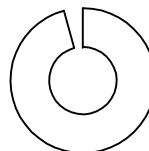
#13186 HEX HEAD BOLT 3/8-16 x 1 3/4"

#13191 NUT 3/8-18

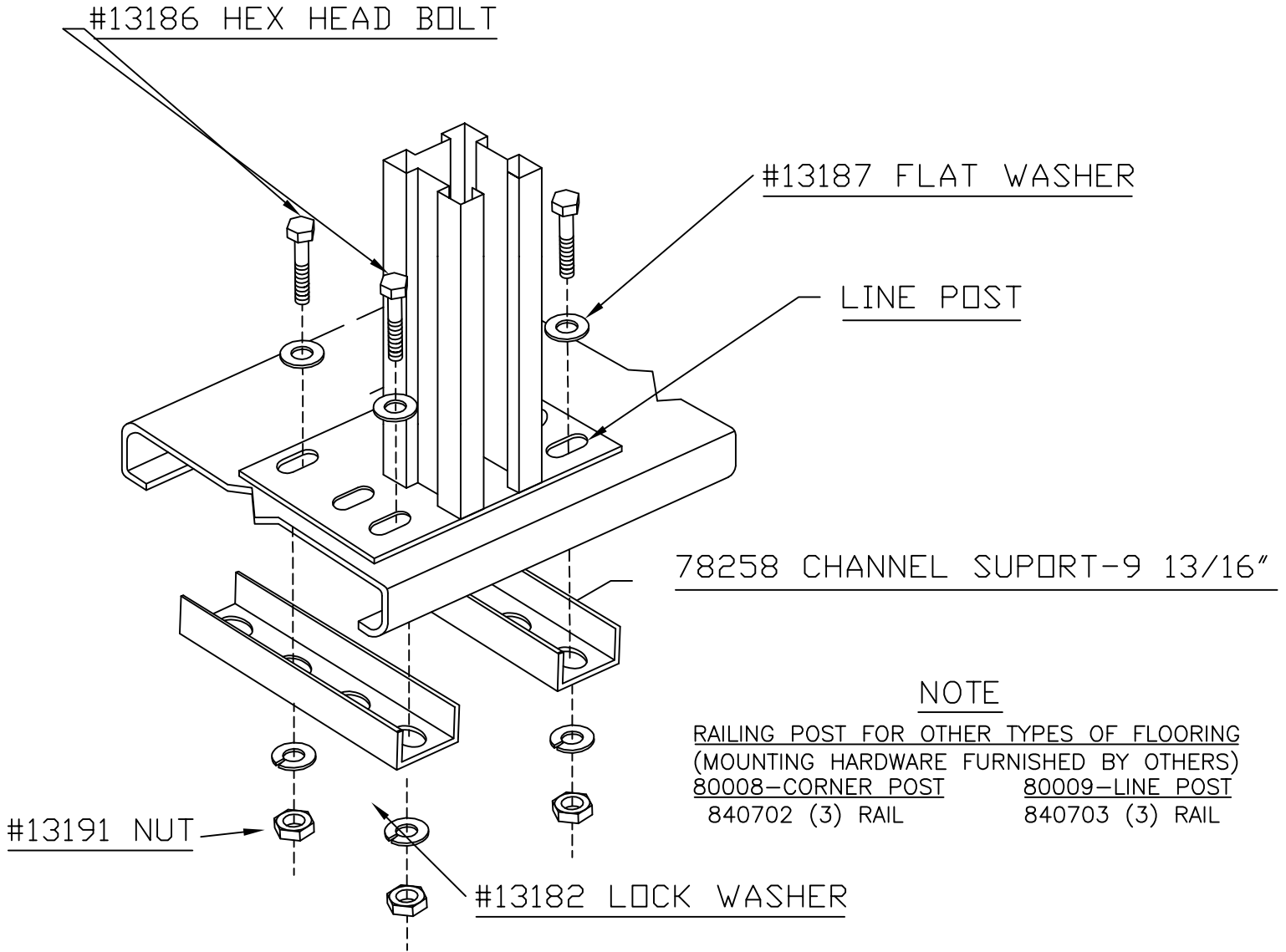
#13187 FLAT WASHER 3/8

#13182 LOCKWASHER

(4 PER POST)



7. 80007 LINE POST ON FLANGE SIDE 12" PANEL



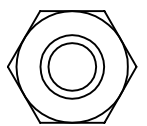
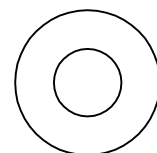
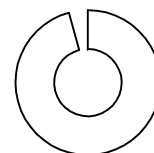
#13186 HEX HEAD BOLT 3/8-16 x 1 3/4"

#13191 NUT 3/8-18

#13187 FLAT WASHER 3/8

#13182 LOCKWASHER

(4 PER POST)

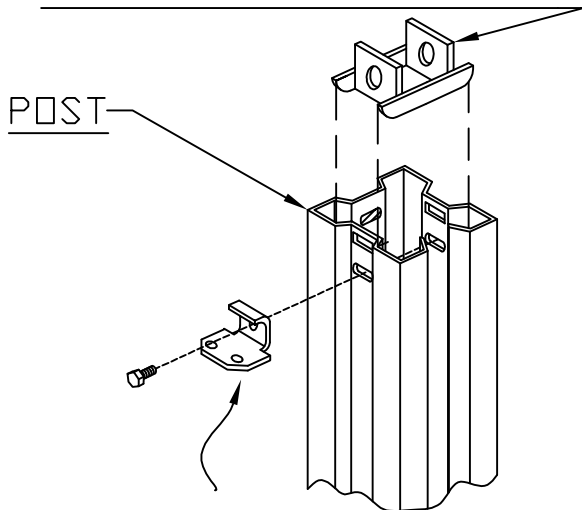


B

MOUNTING RAILS

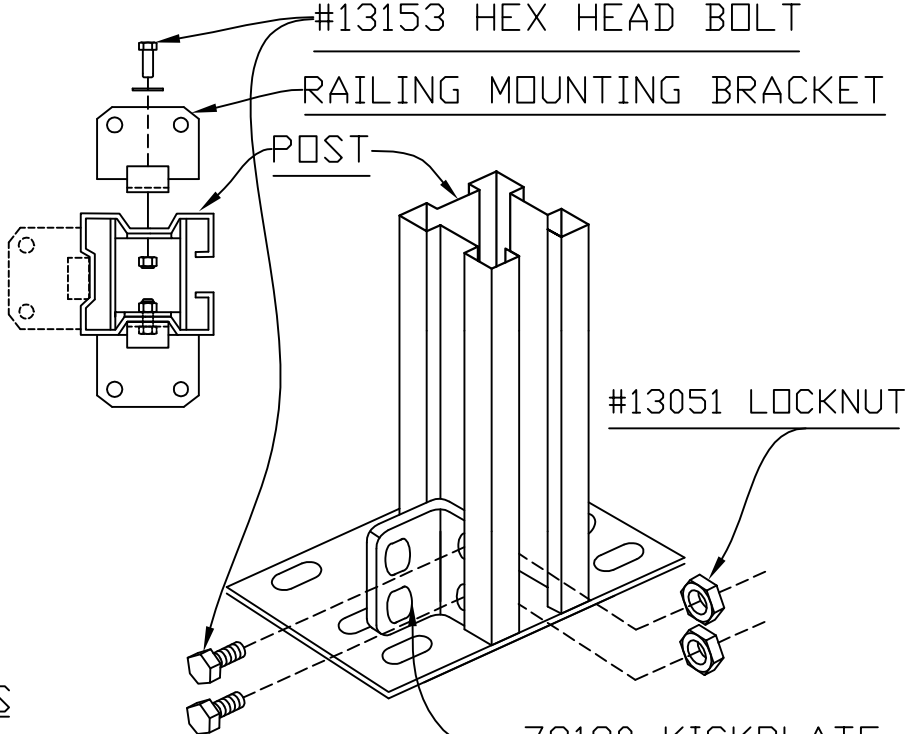
8. ASSEMBLE BRACKETS TO POST

#78183 SPACER CHANNEL



#13153 HEX HEAD BOLT

RAILING MOUNTING BRACKET



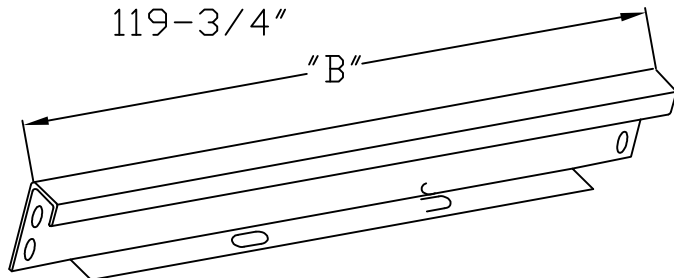
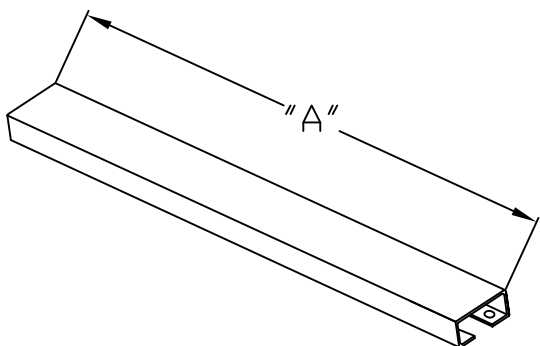
#13051 LOCKNUT

#78177 RAILING MOUNTING BRACKET

MOUNTING BRACKETS TO POSTS

1. POSITION SPACER CHANNEL INSIDE POST AS SHOWN, (ONE AT THE TOP OF POST ONLY).
2. BOLT RAILING BRACKETS POST WHERE HANDRAILS ARE REQUIRED.
3. BOLT KICKPLATE MOUNTING ANGLE TO POST AS SHOWN.

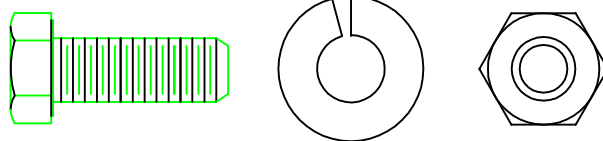
<u>RAILING UNIT W/HARDWARE</u>	<u>LENGTH B</u>	<u>78180 KICKPLATE MOUNTING ANGLE</u>
#410-42	41-3/4"	
#410-45	44-3/4"	
#410-57	56-3/4"	
#410-69	68-3/4"	
#410-72	71-3/4"	
#410-90	89-3/4"	
#410-93	92-3/4"	
#410-20	119-3/4"	



<u>RAILING UNIT W/HARDWARE</u>	<u>A</u>
#410-42	41-7/8"
#410-45	44-7/8"
#410-57	56-7/8"
#410-69	68-7/8"
#410-72	71-7/8"
#410-90	89-7/8"
#410-93	92-7/8"
#410-20	119-7/8"

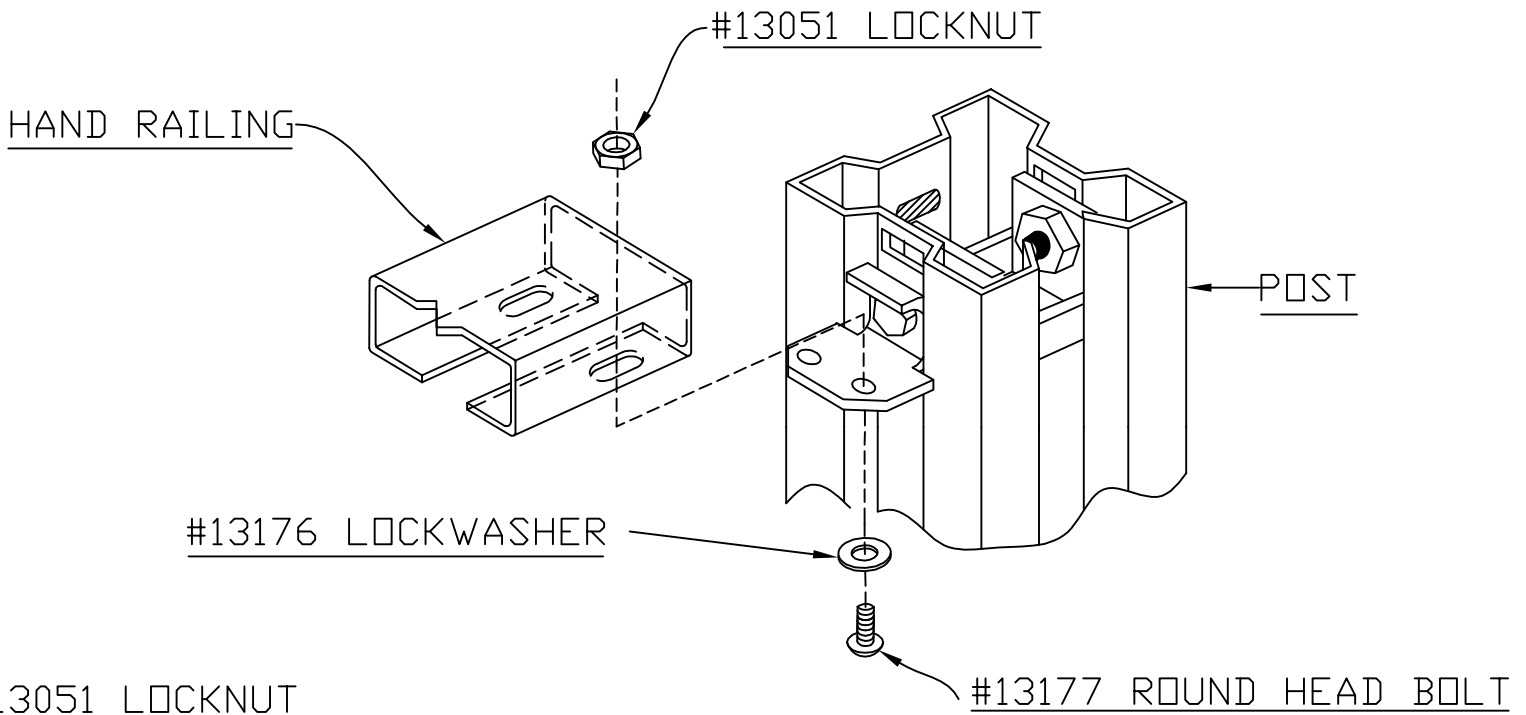
- #13153 HEX HEAD BOLT 5/16"-16 x 3/4"
- #13051 LOCKNUT 5/16-18
- #13176 LOCKWASHER 5/16

(1 PER BRACKET)

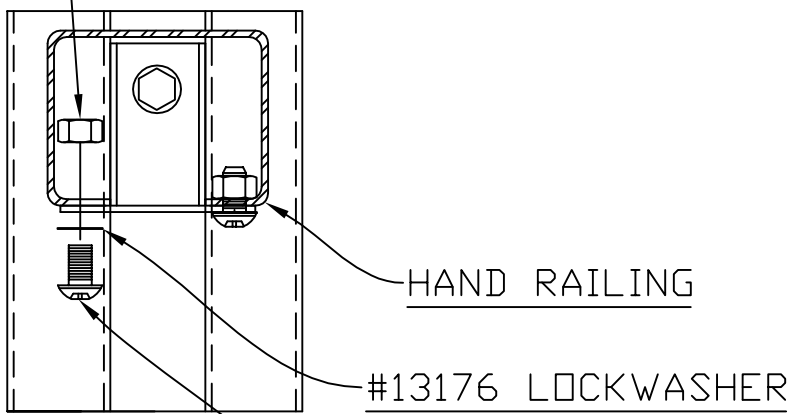


9. ASSEMBLE HANDRAIL

NOTE: PLACE THE RAILING CHANNEL ON THE MOUNTING BRACKETS AND BOLT IN PLACE



#13051 LOCKNUT



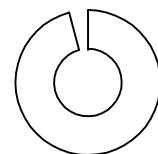
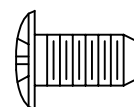
#13177 ROUND HEAD BOLT

#13177 ROUND HEAD BOLT 5/16-18 x 1/2"

#13176 LOCKWASHER 5/16"

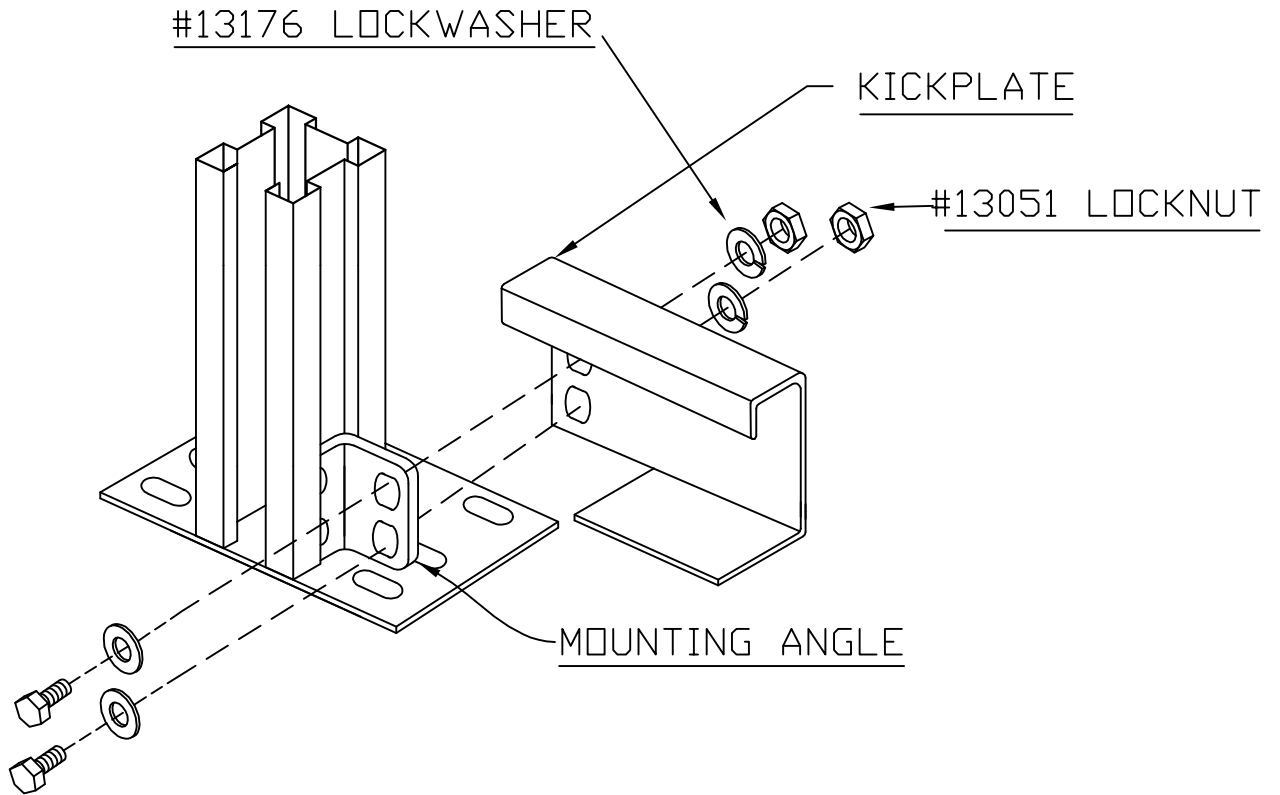
#13051 LOCKNUT 5/16-18

(2 PER CABINET)



10. ASSEMBLE KICKPLATE

NOTE: POSITION
KICKPLATE AS SHOWN
AND BOLT IN PLACE.

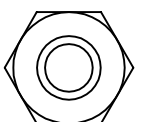
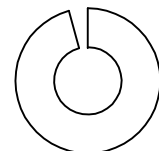
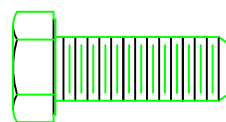


#13153 HEX HEAD BOLT 5/16" x 3/4"

#13051 LOCKNUT 5/16"

#13176 LOCKWASHER 5/16"

(1 PER BRACKET)



11. ASSEMBLE POST CAP

NOTE: POSITION CAP, PUSH HOOK BACK WITH SCREWDRIVER, AND SNAP CAP INTO PLACE.

