

41310ASY

EQUIPTO

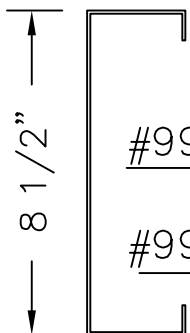
LANDING
ASSEMBLY
INSTRUCTIONS

TABLE OF CONTENTS

A. HARDWARE LIST

B. ASSEMBLY PROCEDURE

1. ASSEMBLE THE EXTERNAL FRAME OF YOUR LANDING AS SHOWN IN STEP 1. DO NOT ANCHOR POSTS TO FLOOR UNTIL SPECIFIED.
2. INSTALL ALL DIAGONAL BRACES ON EXTERIOR CORNERS OF FRAMEWORK AND COVER PLATES ON EACH POST – STEP 2.
3. INSTALL ALL BEAM BRACKETS AND INTERNAL BEAMS (IF YOU HAVE A 4' WIDE X 8' LONG FRAME) AS SHOWN IN STEP 3.
4. PLUM AND SQUARE ALL THE POSTS AT THIS TIME. TIGHTEN ALL HARDWARE ON FRAMEWORK, THEN ANCHOR THE POSTS TO THE FLOOR. FLOOR ANCHORS TO BE FURNISHED BY OTHERS.
5. ASSEMBLE STAIRWAY AND FASTEN IN PLACE ON LANDING FRAMEWORK AS SHOWN IN STEP 5.
6. INSTALL FLOORING ON ENTIRE LANDING FRAMING AS SHOWN IN STEP 6.
7. INSTALL RAILING WHERE REQUIRED AS SHOWN:
 - 7a. RAILING POST MOUNTED ON LANDING POST – STEP 7a.
 - 7b. RAILING CHANNEL ASSEMBLIES – STEP 7b.
8. INSTALL KICKPLATES WHERE REQUIRED AS SHOWN IN STEP 8.
9. INSTALL KICKPLATE ANGLE CLIP AND OUTSIDE CORNER ANGLE AS SHOWN IN STEP 9.



BEAM SIZES

#9963: 8 1/2" HIGH X 4" LONG

#9965: 8 1/2" HIGH X 8" LONG

CATALOG NUMBERS

POST NO.	POST HEIGHT	FRAME WIDTH	CATALOG NO.	
#5206	6'	4'	970-06	971-06
#5208	8'	4'	970-08	971-08
#5210	10'	4'	970-10	971-10
FRAME LENGTH			4'	8'

STEP

2

DIAGONAL BRACES INSTALLATION

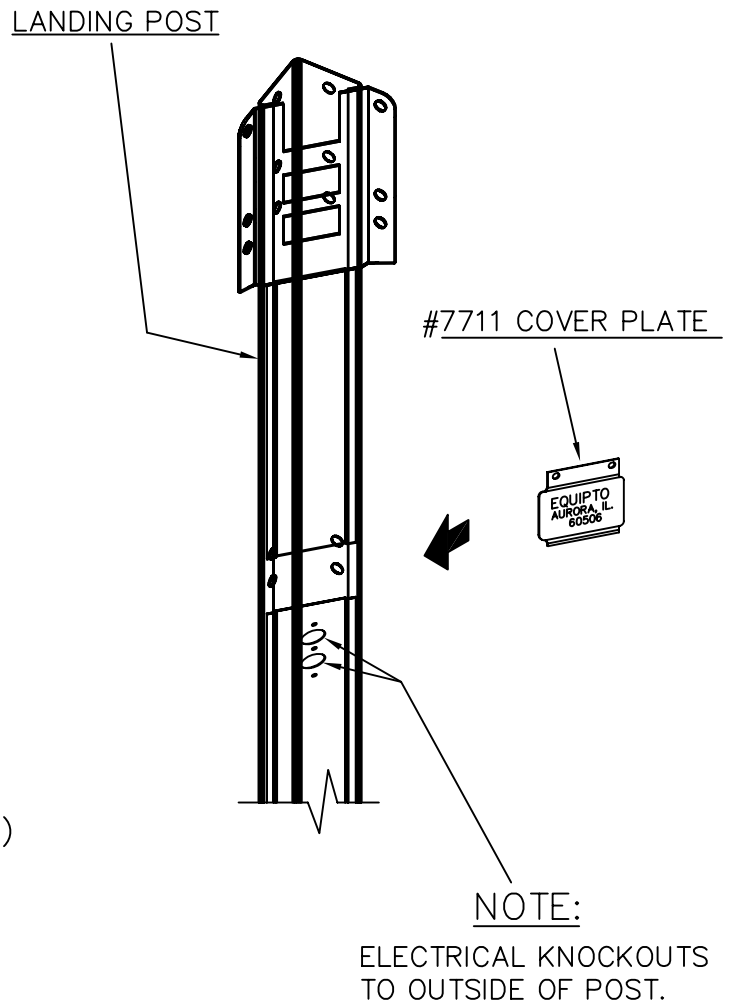
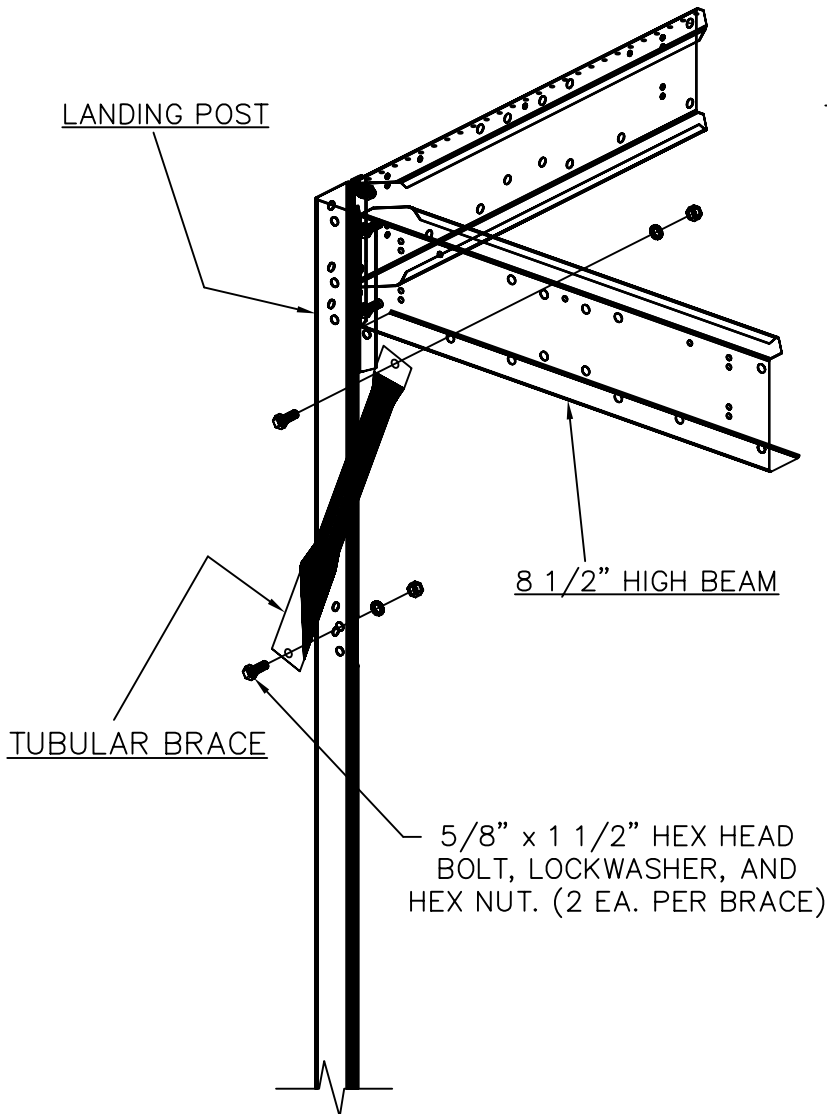
FRAME TYPE	POST HEIGHT			BRACE NO.
	6'	8'	10'	
4' X 4'	6422 28 31/32" c.c.	#6422 28 31/32" c.c.	#6423 52 1/16" c.c.	
4' X 8'	#6422 28 31/32" c.c.	#6422 28 31/32" c.c.	#6423 52 1/16" c.c.	

NOTE:

FASTEN TWO TUBULAR BRACES AT EACH OUTER CORNER OF THE COMPLETED EXTERNAL FRAME OR WHERE NOTED ON YOUR INSTALLATION DRAWING.

NOTE:

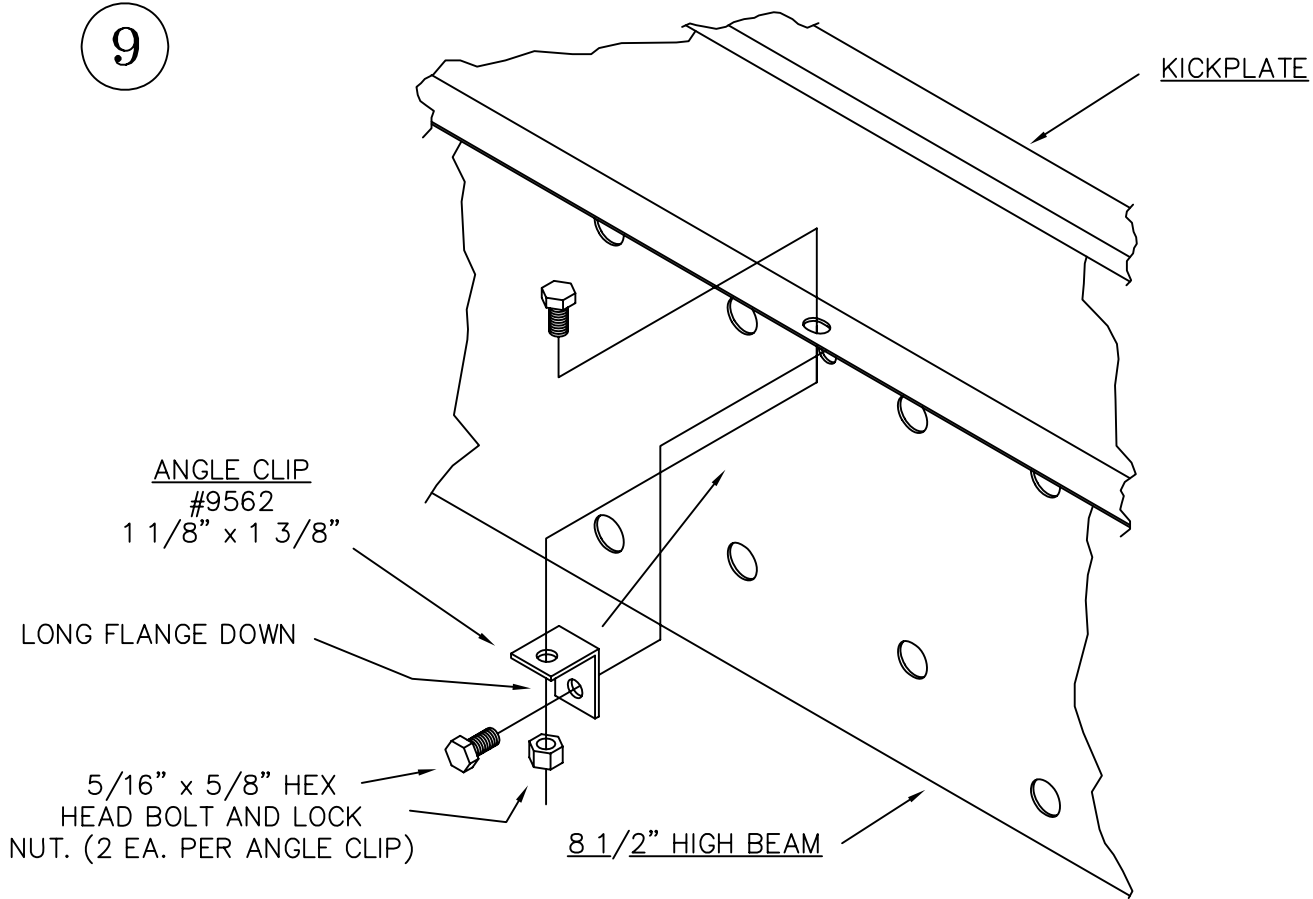
INSTALL #7711 COVER PLATE, ONE FOR EACH LANDING POST.



STEP

KICKPLATE ANGLE CLIP ASY

9



OUTSIDE CORNER ANGLE ASSEMBLY

