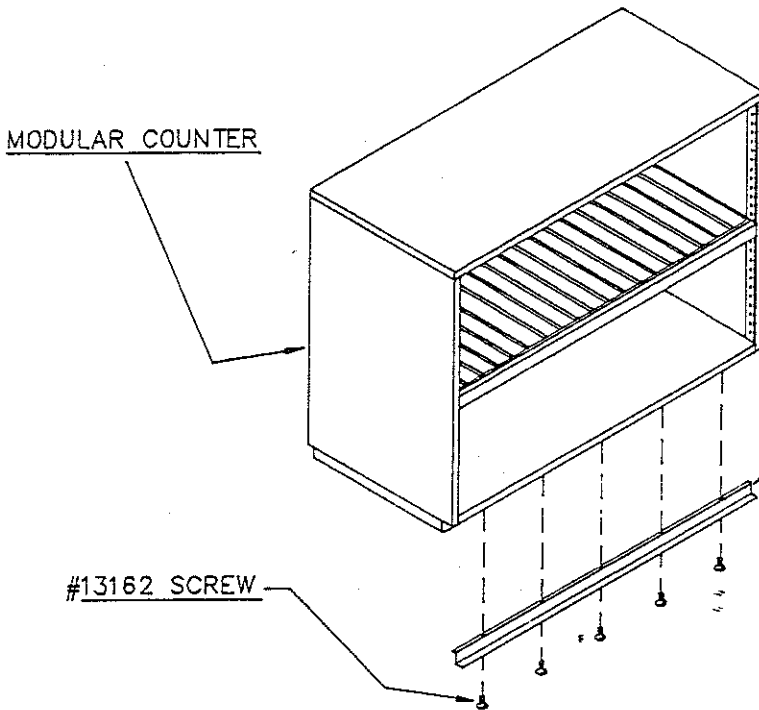


21320ASY

MOD. COUNTER SLIDING DOOR ASS'Y

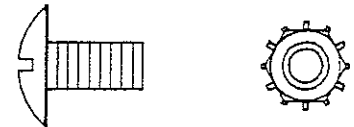
1. DOOR SUPPORT ASSEMBLY



NOTE

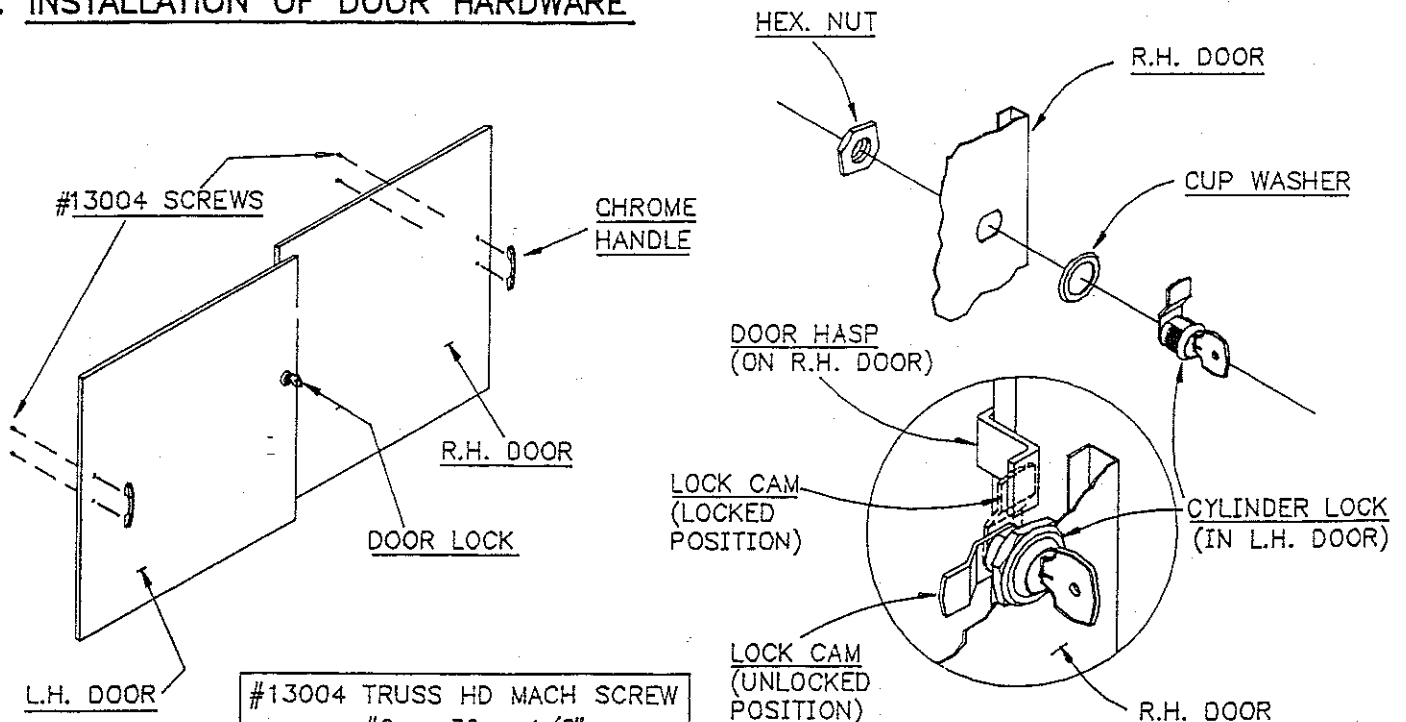
TIGHTEN ALL HARDWARE SECURELY.

- #13162 TRUSS HEAD SCREW
1/4" - 20 X 1/2"
- #13060 KEPS NUT 1/4" - 20
(5 PER SUPPORT)



FULL SCALE

2. INSTALLATION OF DOOR HARDWARE



- #13004 TRUSS HD MACH SCREW
#8 - 32 x 1/2"
(2 PER HANDLE)

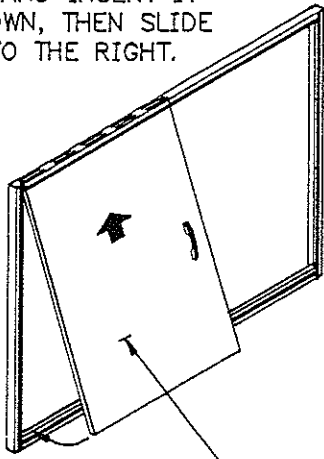


FULL SCALE

3. INSTALLATION OF DOORS

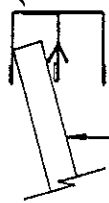
NOTE

POSITION R.H. DOOR AT THE LEFT HAND END OF FRAME AND INSERT IT AS SHOWN, THEN SLIDE DOOR TO THE RIGHT.



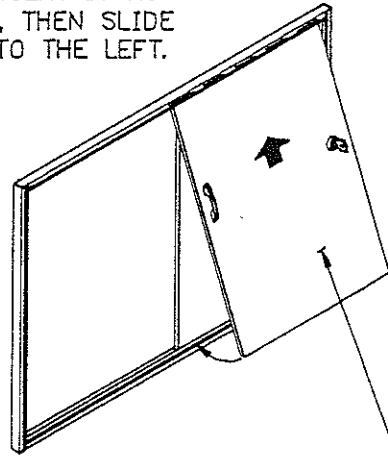
REAR HALF OF DOOR FRAME TOP TRACK

R.H. DOOR



NOTE

POSITION L.H. DOOR AT R.H. END OF FRAME NEXT TO HANDLE OF R.H. DOOR AND INSERT IT AS SHOWN, THEN SLIDE DOOR TO THE LEFT.

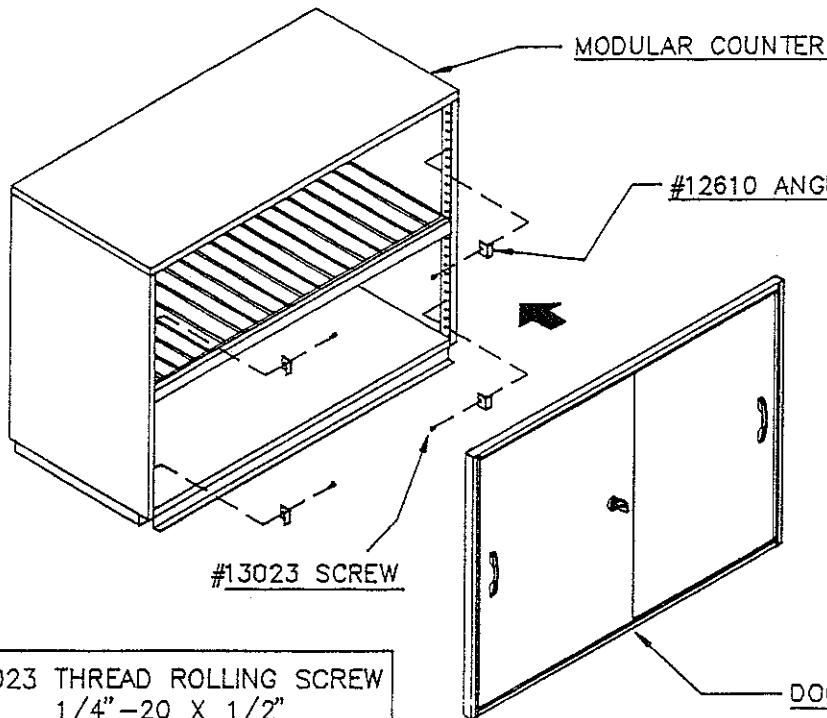


FRONT HALF OF DOOR FRAME TOP TRACK

L.H. DOOR



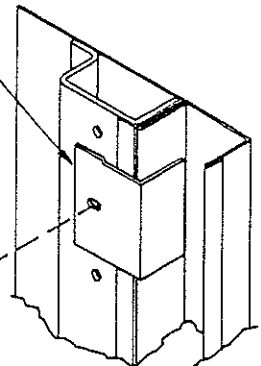
4. INSTALLATION OF DOORS



NOTE

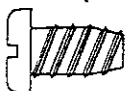
TYPICAL FASTENING OF DOOR FRAME TO FACE OF MODULAR CABINET.

#13023 SCREW



DOOR FRAME ASS'Y

#13023 THREAD ROLLING SCREW
1/4"-20 X 1/2"
(1 PER CLIP)



FULL SCALE

21320ASY