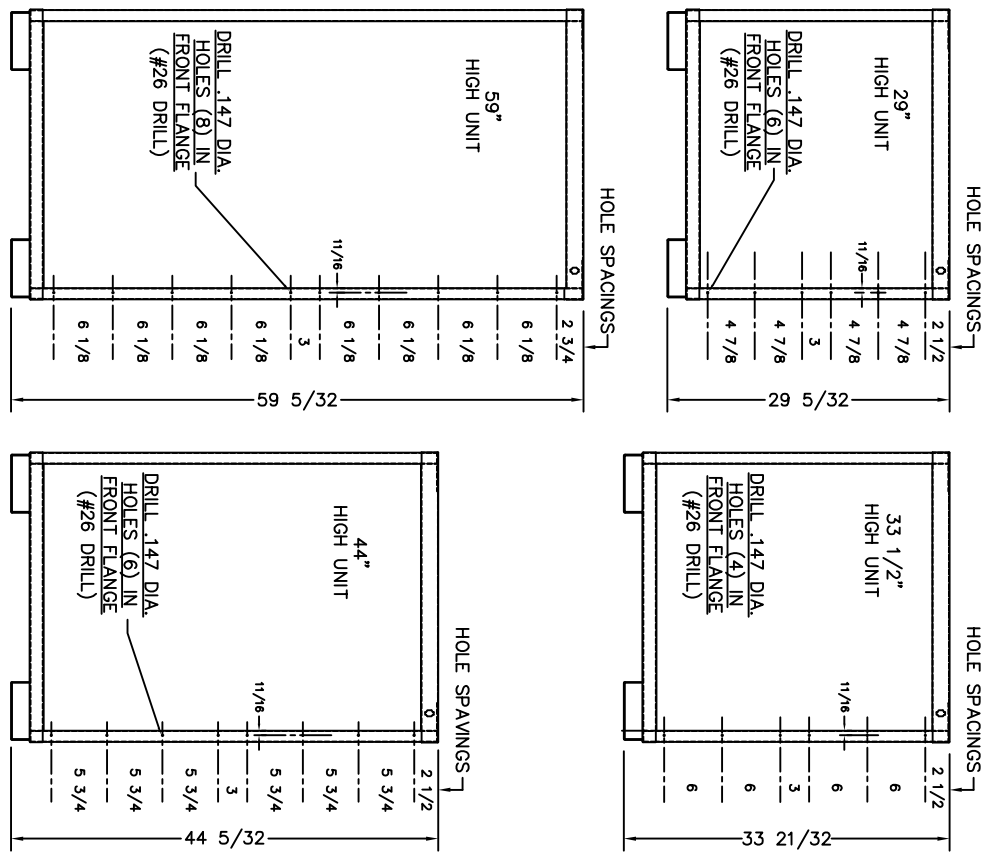


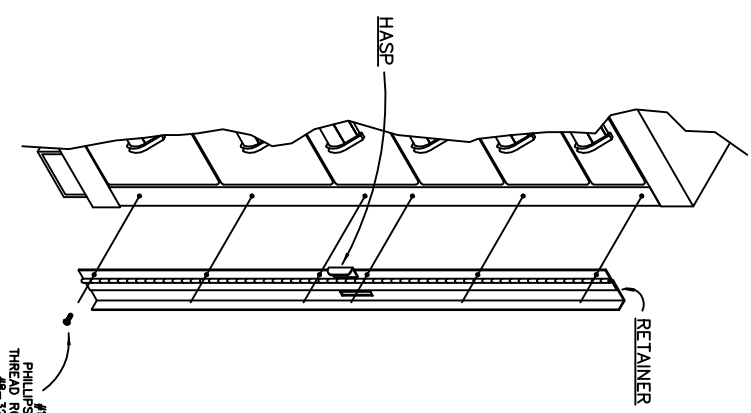
UNLESS OTHERWISE SPECIFIED	+/-
Dimensions to a Formed Edge	.015
Dimensions to a Sheared Edge	.010
Dim. Between Holes or Notches	.005
Angles	0.5°
Dimensions may Vary	(SEE)
Typical Inside Forming Radii	1/64

NOTE: RETAINER CAN BE MOUNTED ON CABINETS TO SWING OPEN RIGHT OR LEFT.



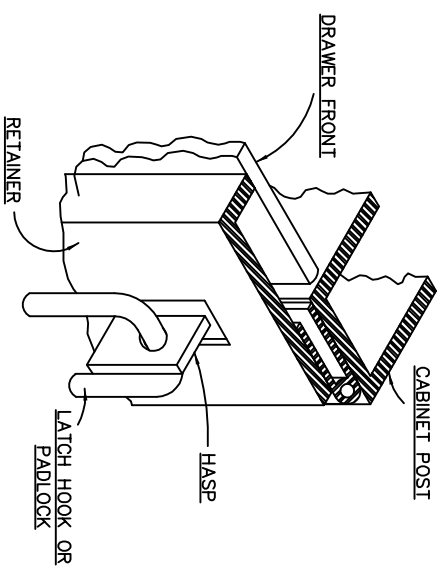
FIELD DRILLING RETAINER MOUNTING HOLES IN CABINET

INSTALLING HINGED DRAWER RETAINER ON FRONT CORNER OR CABINET



#13127 PHILLIPS PAN HEAD THREAD ROLLING SCREW #8-32 x 7/16"

THIS DRAWING IS THE PROPERTY OF		NO: 4103ASY	
EQUIPTO		ASSEMBLY INSTRUCTIONS	
ADDISON, TX 75001 PH. (800) 323-0901 FAX (989) 859-2721 © 2001 BY EQUIPTO REPRODUCTION STRICTLY FORBIDDEN		MODULAR DRAWER RETAINER ASSEMBLY	
DATE	DESCRIPTION OF LAST REVISION	BY	CHK BY
08/22/07	CHANGED LOCATION DIMENSION TO ACCOMMODATE DESIGN	PAS	
			SCALE: NONE SHEET 1 OF 1 DRWN BY: GRP CHK BY: AFC PATTI Q. CARROLL DATE: 3-19-03



- INSTALLING HINGE DRAWER RETAINER
- 2A. POSITION PUNCHED FLANGE OF RETAINER ON FRONT POST OF CABINET. DRILL HOLES (0.147 DIA.) FASTEN RETAINER TO POST WITH #8 SCREWS. BE SURE HASP IS CLEAR OF DRAWER FRONT.
 - 2B. SWING RETAINER CLOSED, BUTTING AGAINST FRONT OF DRAWERS, AND INSERT LATCH HOOK OR PADLOCK (BY OTHERS.)

NO: 4103ASY