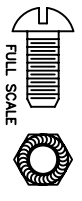
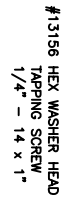


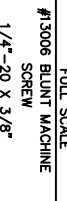
#13154 TRUSS HD MACH SCREW
5/16" x 3/4"
#3051 TWIN WHIZZ LOOK NUT
5/16" - 18



#13005
THREAD CUT. SCREW
#10-24 x 1/2"
#921310H WASHERS
FULL SCALE



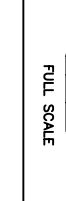
#13156 HEX WASHER HEAD
TAPPING SCREW
1/4" - 14 x 1"



#13006 BLUNT MACHINE
SCREW
1/4"-20 x 3/8"

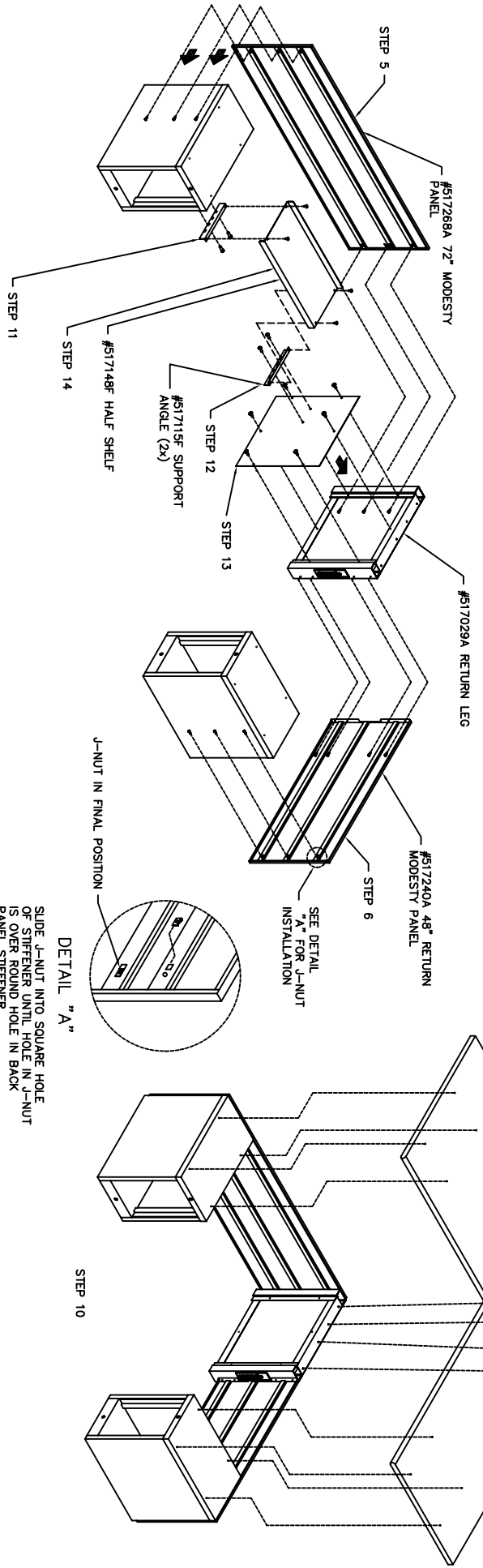


#3035 THINWALL J-NUT
FOR SHEET METAL SCREW
FULL SCALE



INSTRUCTIONS

- 1.) Locate return desk in approximate location.
- 2.) Remove inner panel from leg.
- 3.) Install strain relief for cord into bottom cutout of leg. (Per instructions)
- 4.) Remove all drawers from cabinets (per instructions)
- 5.) Set to side out of the way.
- 6.) Mount 72" Modesty Panel (#517268A) to cabinet using #13006 bolt & #13035 J-Nut
- 7.) Mount 48" Return Modesty Panel (#517240A) to front of cabinet using #13006 bolt. Mount to back of cabinet using #13006 bolt & #13035 J-Nut.
- 8.) Lay 72"x36" Desk Top (#12327R) across cabinet and leg. Lay 48"x30" Return Desk Top (#12367R) across cabinet. TOPS WILL OVERHANG EDGES BY APPROXIMATELY 1".
- 9.) Install Tite-Joint Fastener per Manufacturers instructions
- 10.) Mount Support Splicer (#517215P) to bottom of tops using 10 qty. #13156 Sheet Metal screws.
- 11.) Mount tops to cabinets and leg using 12 qty. #13156 Sheet Metal screws.
- 12.) Mount Support Angle (#517115F) to side of cabinet using 2 qty. of #13154 Machine Screws and #13051 Nuts.
- 13.) Mount Support Angle (#517115F) to inner panel of leg using 2 qty. #13154 Machine Screws and #13051 Nuts.
- 14.) Mount inner panel to leg using 6 qty. #13005 screws with 6 qty. # 921310H Finishing Washers.
- 15.) Mount Half Shelf (#517148F) to support angle using 4 qty. #13154 Machine Screws and #13051 Nuts.
- 16.) Reinstall drawers.
- 17.) Maneuver desk into its final position.



THIS DRAWING IS THE PROPERTY OF		ASSEMBLY INSTRUCTIONS	
EquipTO		FOR 360R RETURN DESK	
DALLAS, TX 75219 PH: (214) 445-8800 FAX: (214) 634-7132 © 1997 BY EQUIPTO REPRODUCTION STRICTLY FORBIDDEN		SCALE: 1"=12" SHEET 1 OF 1 DRAWN BY: TJB DATE: 1-8-98	
DATE	DESCRIPTION OF LAST REVISION	BY	CHK BY

