

11130ASY

EQUIPTO

SLIM LINE SHELVING
ASSEMBLY INSTRUCTIONS

Corporate Offices
4819 MAPLE AVENUE * DALLAS, TEXAS 75219
TEL: (214) 443-9800 * FAX: (214) 443-9644

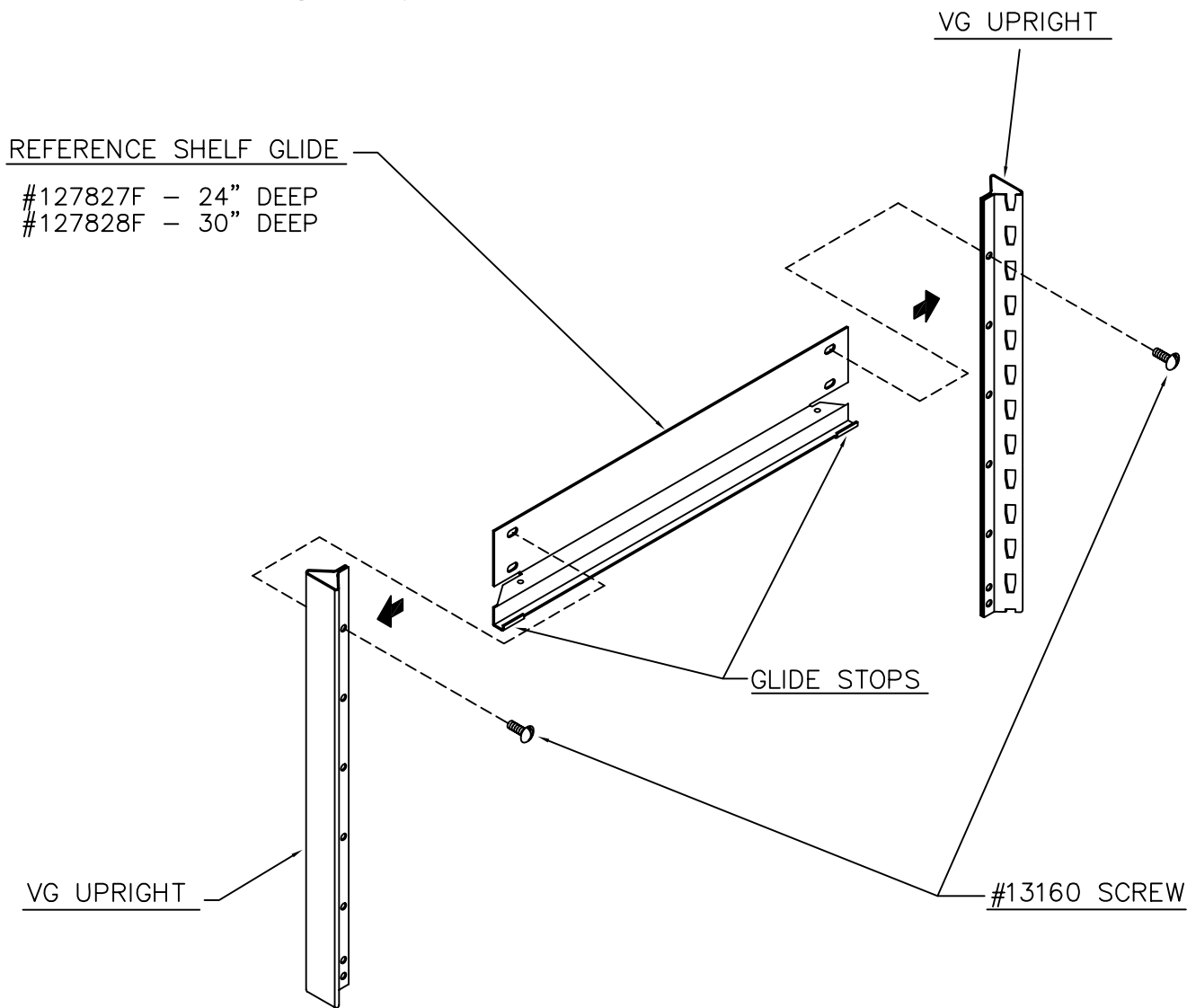
Customer Service
Toll-Free Tel: (800) 323-0801
Toll-Free Fax: (888) 859-2121
<http://www.equipto.com>

2. DOUBLE ENTRY SHELVING UNIT

a. REFERENCE SHELF GLIDES ASSEMBLY

NOTE

INSERT GLIDE BETWEEN FLANGES OF THE UPRIGHTS AND FASTEN AS SHOWN (USE EITHER SLOT DEPENDING ON SHELF LOCATION). FOR REFERENCE SHELF LOCATION SEE PARAGRAPH A - "SLIM LINE SHELVING ELEVATION". ALL SHELVES REMOVED FOR CLARITY.



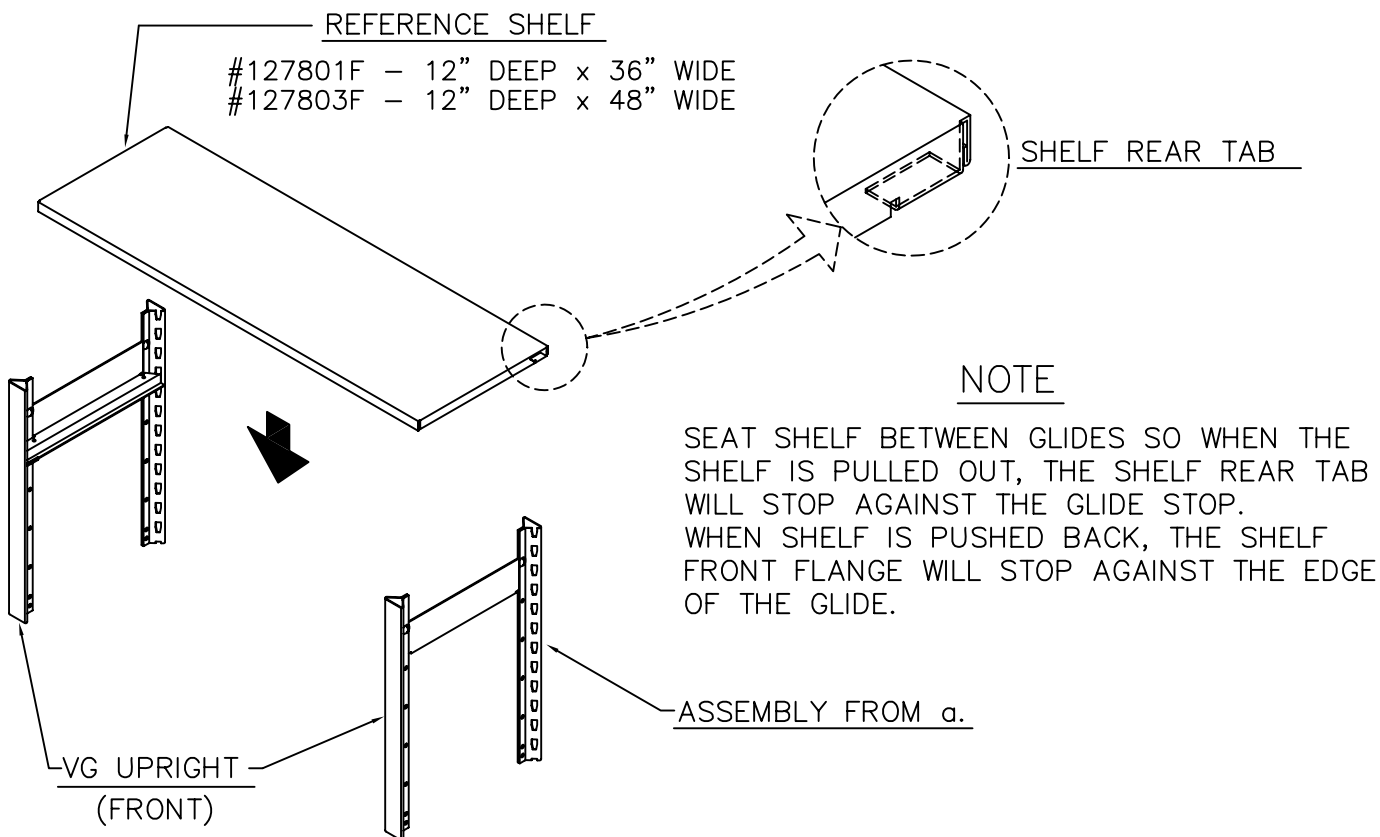
#13160 SLOTTED TRUSS SCREW
#10-24 X 3/8"

#13033 #10-24 HEX NUT
(2 PER GLIDE)

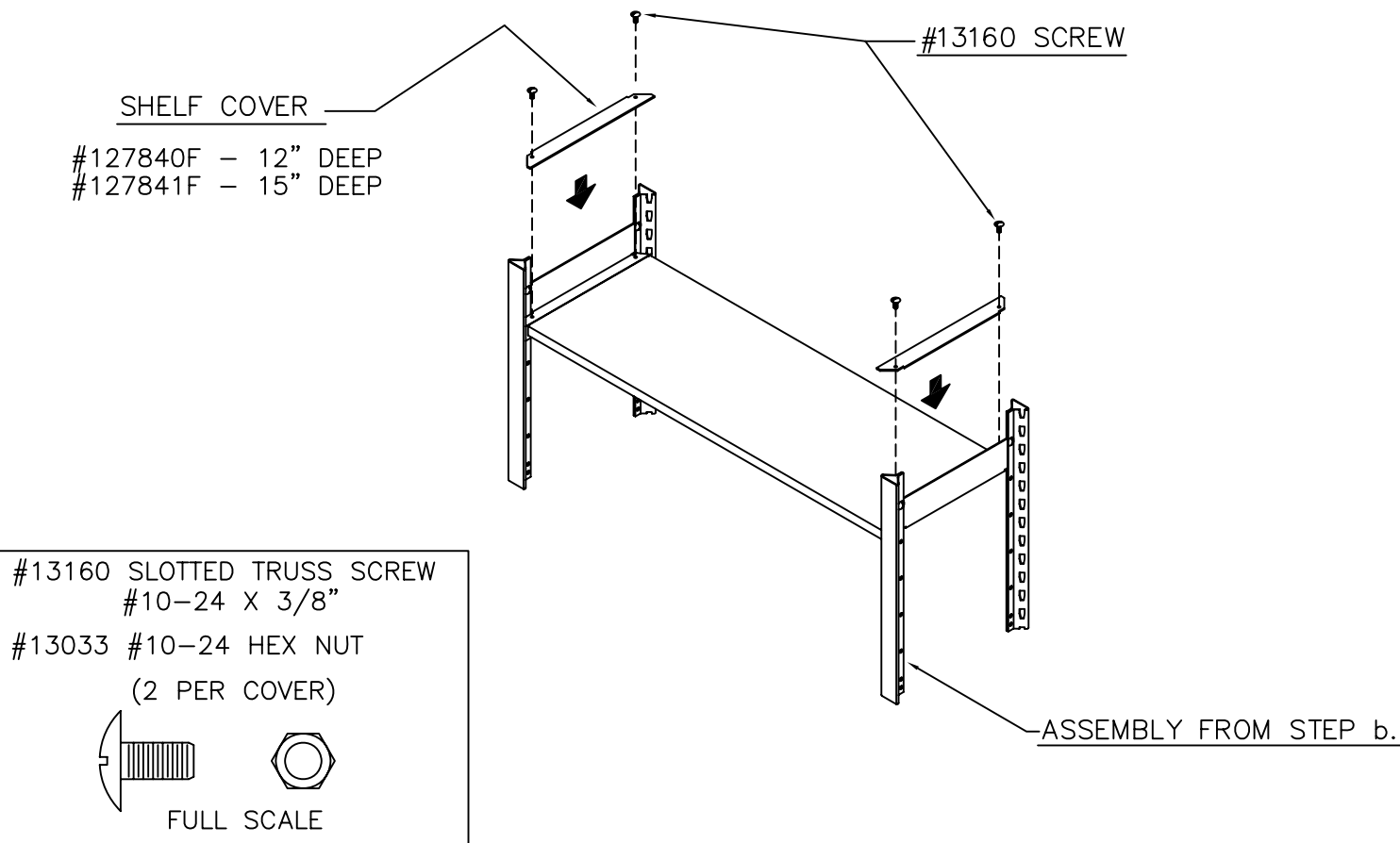


FULL SCALE

b. REFERENCE SHELF INSTALLATION



c. SHELF COVER ASSEMBLY



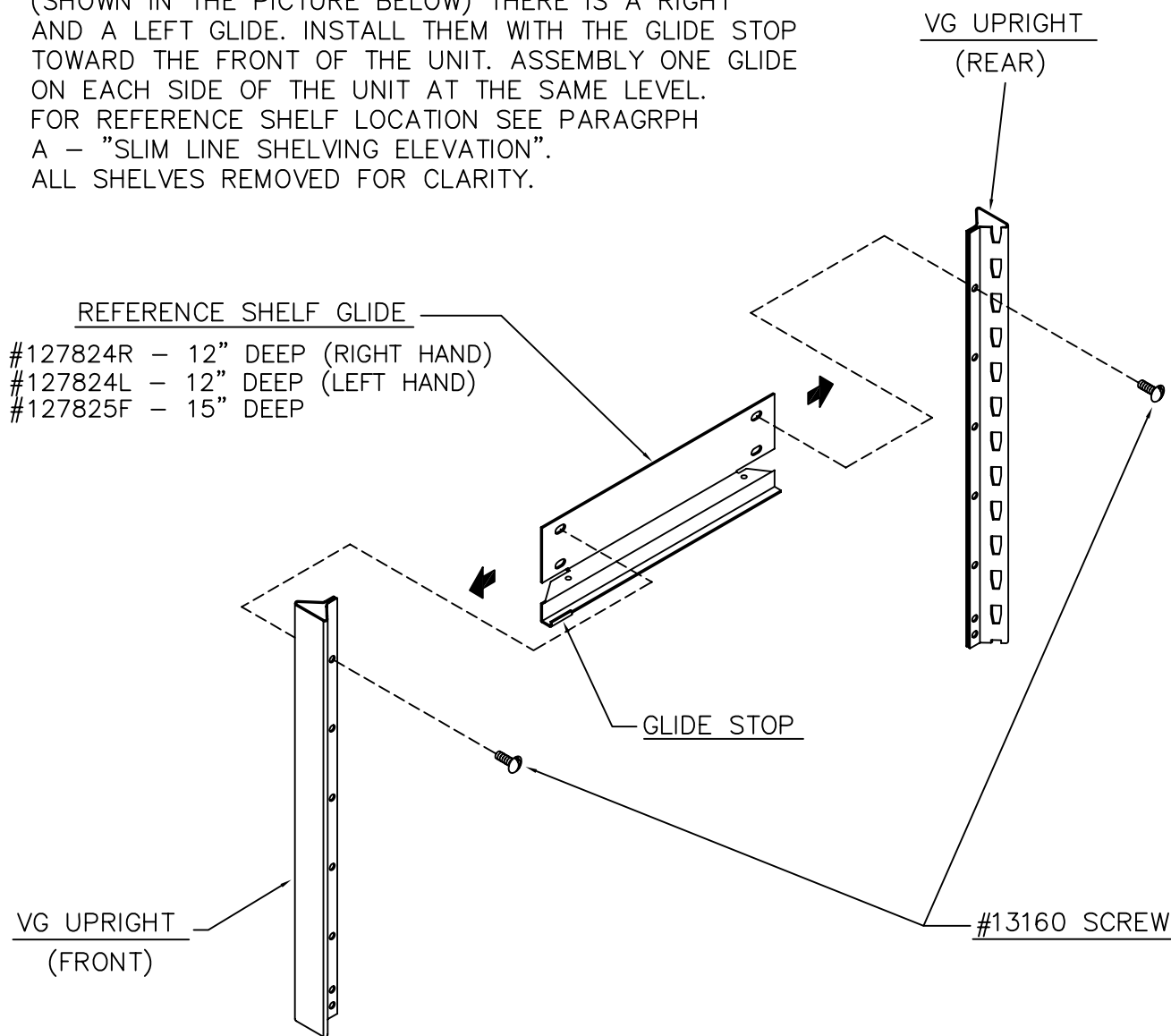
C OPTIONAL REFERENCE SHELF

1. SINGLE ENTRY SHELVING UNIT

a. REFERENCE SHELF GLIDES ASSEMBLY

NOTE

INSERT GLIDE BETWEEN FLANGES OF THE UPRIGHTS AND FASTEN AS SHOWN (USE EITHER SLOT DEPENDING ON SHELF LOCATION). NOTE THAT FOR 12" DEEP UNIT (SHOWN IN THE PICTURE BELOW) THERE IS A RIGHT AND A LEFT GLIDE. INSTALL THEM WITH THE GLIDE STOP TOWARD THE FRONT OF THE UNIT. ASSEMBLY ONE GLIDE ON EACH SIDE OF THE UNIT AT THE SAME LEVEL. FOR REFERENCE SHELF LOCATION SEE PARAGRAPH A - "SLIM LINE SHELVING ELEVATION". ALL SHELVES REMOVED FOR CLARITY.



- #13160 SLOTTED TRUSS SCREW
#10-24 X 3/8"
- #13033 #10-24 HEX NUT
(2 PER GLIDE)



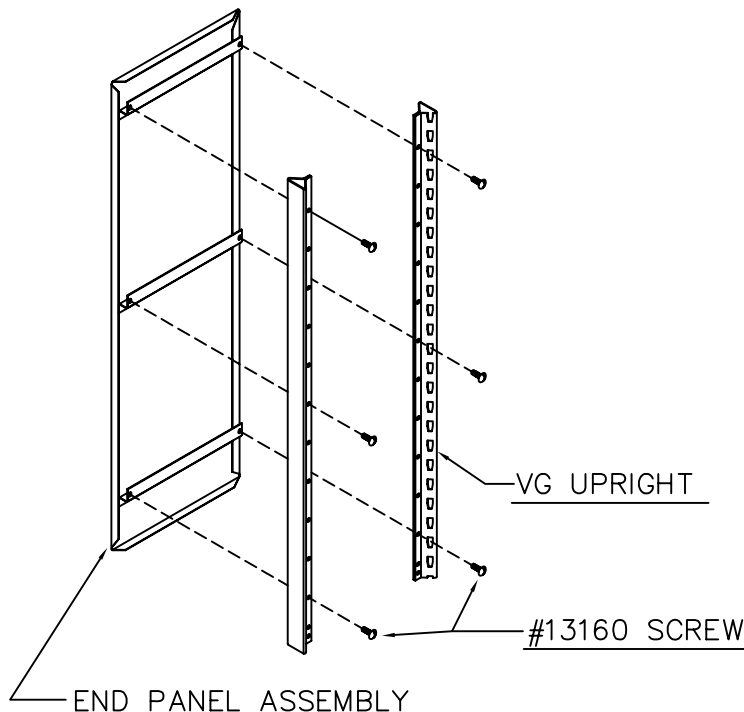
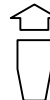
FULL SCALE

3. SINGLE ENTRY SHELVING – CLOSED ENDS

NOTE

BOLT END PANEL TO TWO UPRIGHTS AS SHOWN. MAKE CERTAIN SLOTS IN BOTH UPRIGHTS ARE FACING IN THE SAME DIRECTION. (SEE SLOT BELOW) IN ORDER TO COMPLETE THE UNIT REPEAT STEPS (b) to (f) FROM PARAGRAPH C1 – "SINGLE ENTRY SHELVING – OPEN ENDS".

SLOT TOP



- #13160 SLOTTED TRUSS SCREW
#10-24 X 3/8"
- #13033 #10-24 HEX NUT
(6 PER END PANEL – 78" HIGH)
(8 PER END PANEL – 90" HIGH)



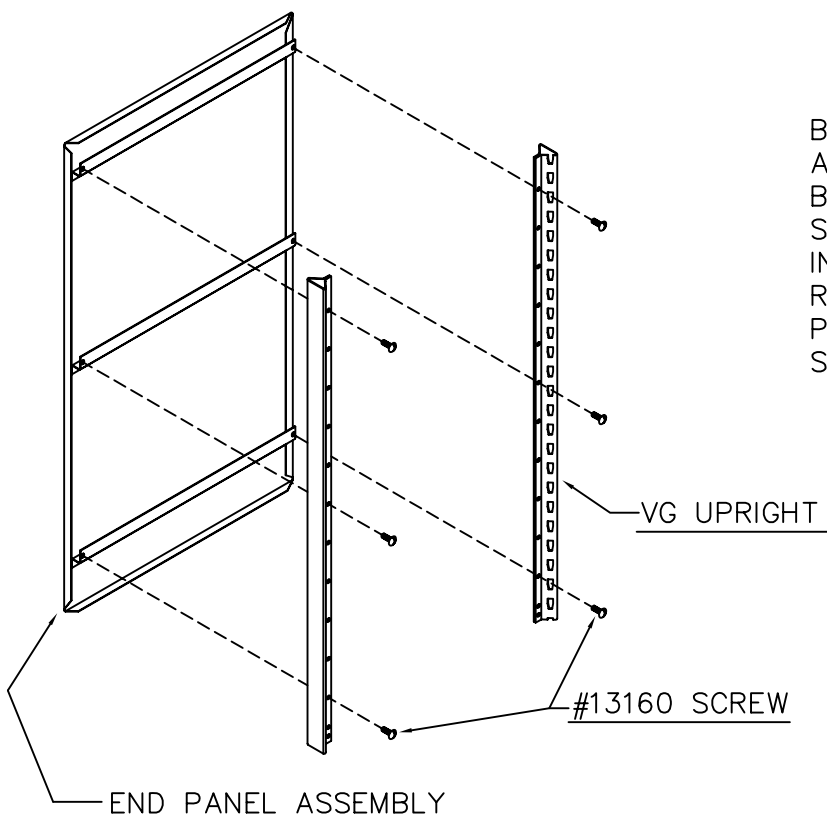
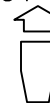
- #126744A – 12" DEEP X 78" HIGH
- #126754A – 15" DEEP x 78" HIGH
- #126746A – 12" DEEP x 90" HIGH
- #126756A – 15" DEEP x 90" HIGH

4. DOUBLE ENTRY SHELVING – CLOSED ENDS

NOTE

BOLT END PANEL TO TWO UPRIGHTS AS SHOWN. MAKE CERTAIN SLOTS IN BOTH UPRIGHTS ARE FACING IN THE SAME DIRECTION. (SEE SLOT BELOW) IN ORDER TO COMPLETE THE UNIT REPEAT STEPS (b) to (e) FROM PARAGRAPH C2 – "DOUBLE ENTRY SHELVING – OPEN ENDS".

SLOT TOP



- #13160 SLOTTED TRUSS SCREW
#10-24 X 3/8"
- #13033 #10-24 HEX NUT
(6 PER END PANEL – 78" HIGH)
(8 PER END PANEL – 90" HIGH)



- #126774A – 24" DEEP X 78" HIGH
- #126784A – 30" DEEP x 78" HIGH
- #126776A – 24" DEEP x 90" HIGH
- #126786A – 30" DEEP x 90" HIGH

d. CENTER SWAY BRACE ASSEMBLY

NOTE

ASSEMBLE TWO CENTER SWAY BRACES PER UNIT: FIRST BRACE TO BE INSTALLED UNDER SECOND SHELF FROM BOTTOM. SECOND BRACE TO BE INSTALLED UNDER SECOND SHELF FROM TOP.

BOTTOM OF SWAY BRACE BOLTS TO THE CENTER OF STOP BELOW.

#13160 SCREW

CENTER SWAY BRACE

#127751F - 36" WIDE

#127753F - 48" WIDE

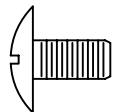
ASSEMBLY FROM c.

#13160 SLOTTED TRUSS SCREW

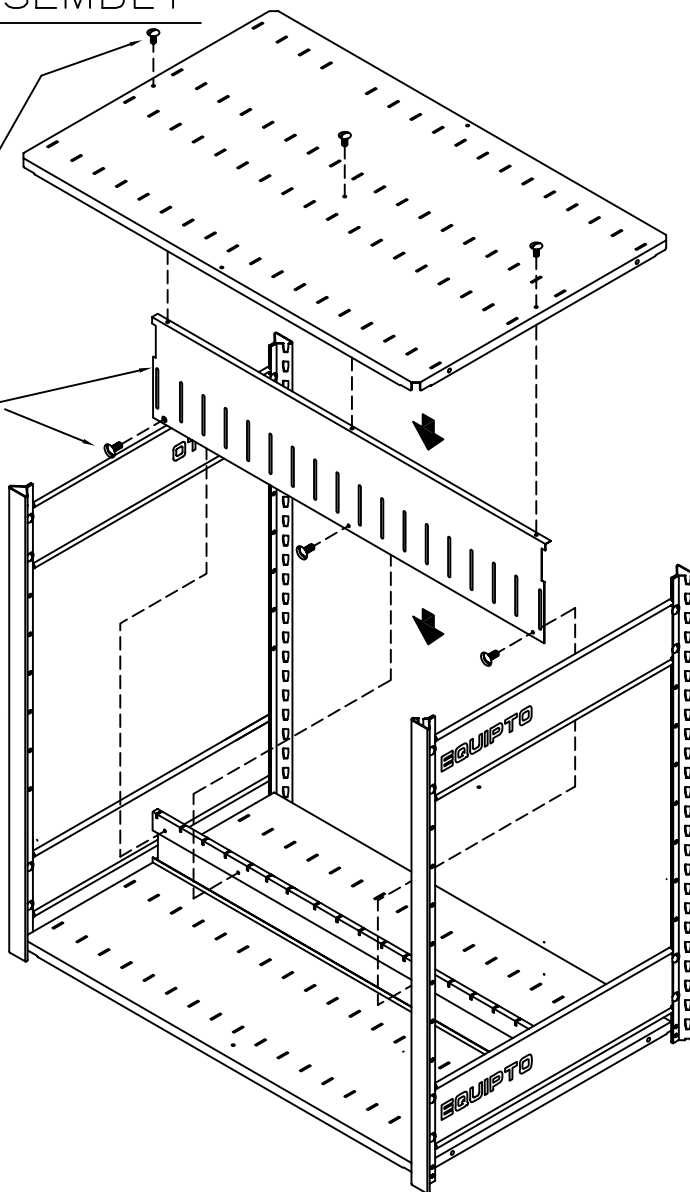
#10-24 X 3/8"

#13033 #10-24 HEX NUT

(6 PER CENTER SWAY BRACE)



FULL SCALE



e. DIVIDERS INSTALLATION

NOTE

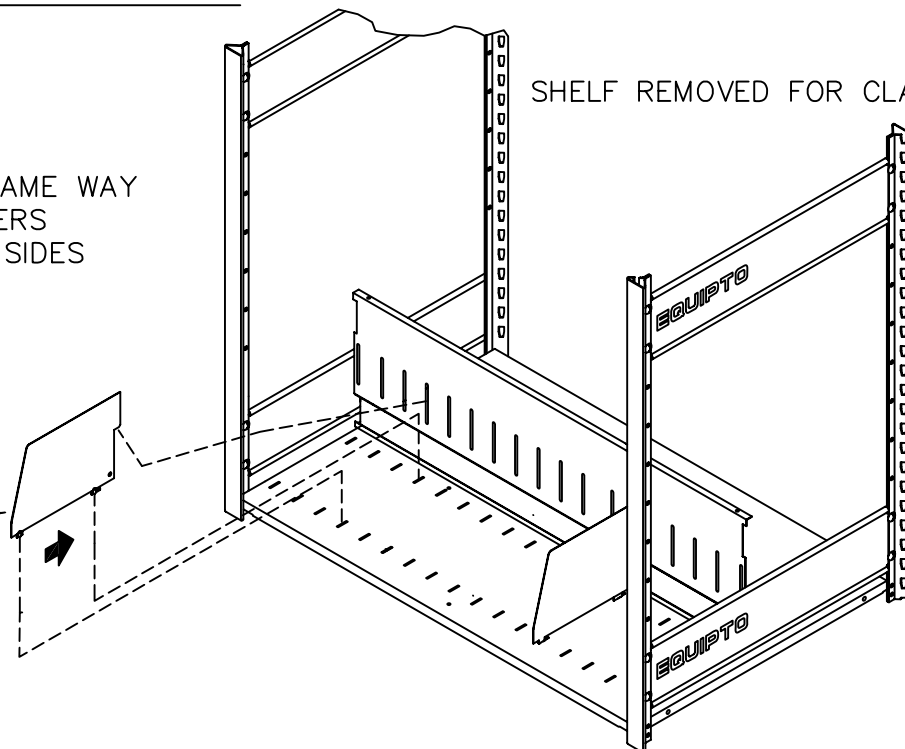
ASSEMBLE DIVIDERS IN THE SAME WAY AS SHOWN AT PAGE 8. DIVIDERS CAN BE INSTALLED ON BOTH SIDES OF THE CENTER STOP.

SHELF REMOVED FOR CLARITY.

DIVIDER

#127217F - 12" & 24" DEEP

#127218F - 15" & 30" DEEP



b. TOP AND BOTTOM SHELVES INSTALLATION

- #126517F - 24" DEEP x 36" WIDE
- #126518F - 30" DEEP x 36" WIDE
- #126537F - 24" DEEP x 48" WIDE
- #126538F - 30" DEEP x 48" WIDE

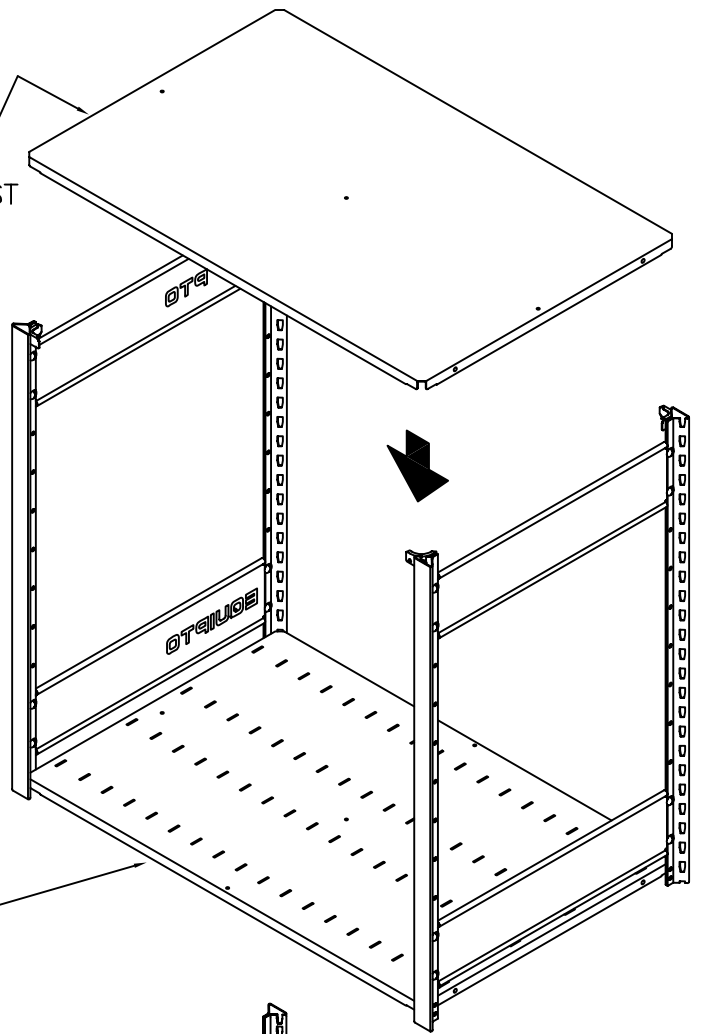
TOP SHELF
INSTALLED LAST

NOTE

START BUILDING THE UNIT BY INSTALLING THE BOTTOM SHELF AND WORK UP FROM THERE.
 CENTER SWAY BRACES AND CENTER STOPS SHOULD BE INSTALLED TO SHELVES BEFORE INSTALLING SHELVES INTO UNIT

BOTTOM SHELF

- #126417F - 24" DEEP x 36" WIDE
- #126418F - 30" DEEP x 36" WIDE
- #126437F - 24" DEEP x 48" WIDE
- #126438F - 30" DEEP x 48" WIDE



c. CENTER STOP ASSEMBLY

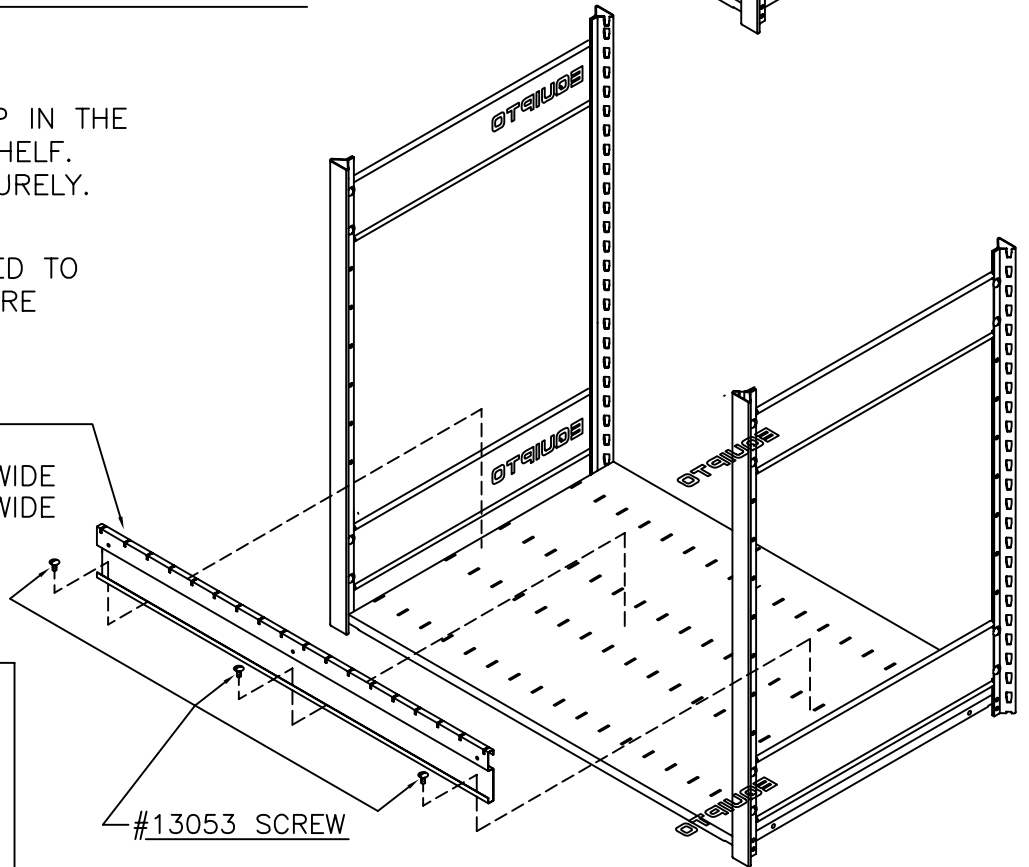
NOTE

ASSEMBLE ONE CENTER STOP IN THE MIDDLE OF EACH SLOTTED SHELF.
 TIGHTEN ALL HARDWARE SECURELY.

STOPS ARE TO BE ASSEMBLED TO SHELVES BEFORE SHELVES ARE ASSEMBLED INTO UNIT

CENTER STOP

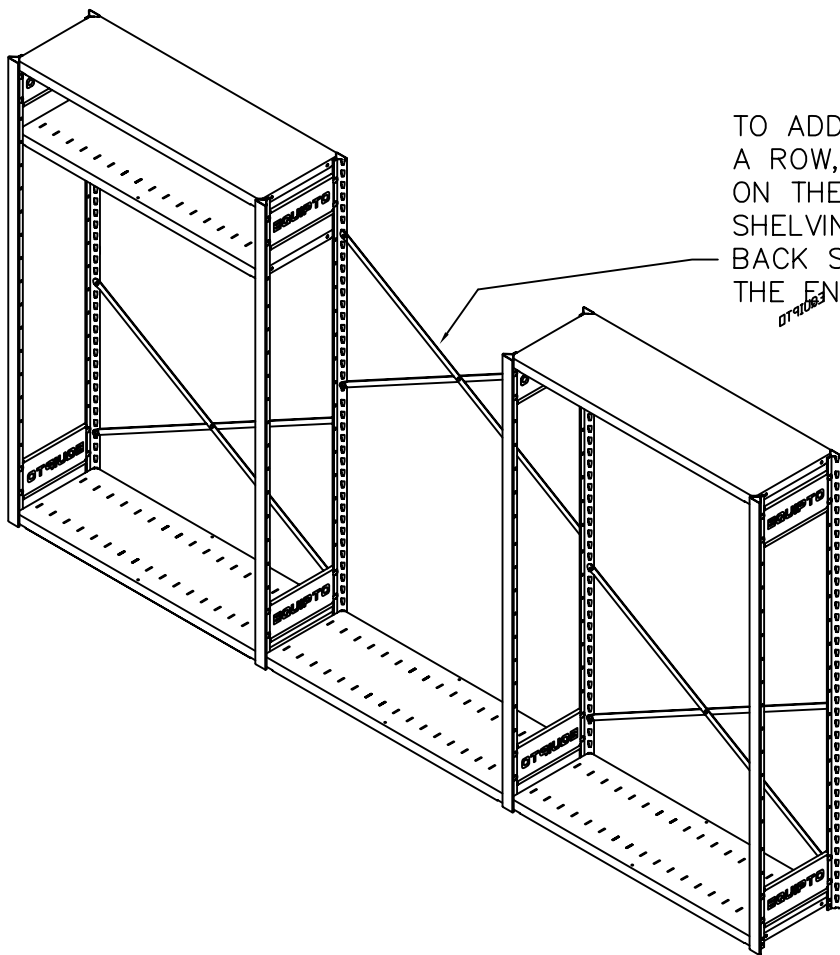
- #127601F - 4" HIGH x 36" WIDE
- #127603F - 4" HIGH x 48" WIDE



- #13053 TRUSS HD MACH SCREW
#8-32 X 3/8"
- #13138 #8-32 HEX NUT
(3 PER CENTER STOP)



g. END TO END ASSEMBLY



NOTE

TO ADD ADDITIONAL SHELVING UNITS IN A ROW, INSERT CORNER REINFORCEMENTS ON THE OPPOSITE SIDE OF THE EXISTING SHELVING UPRIGHTS AND REPEAT ASSEMBLY. BACK SWAY BRACES ARE STAGGERED ON THE END TO END UNITS FOR SUPPORT.

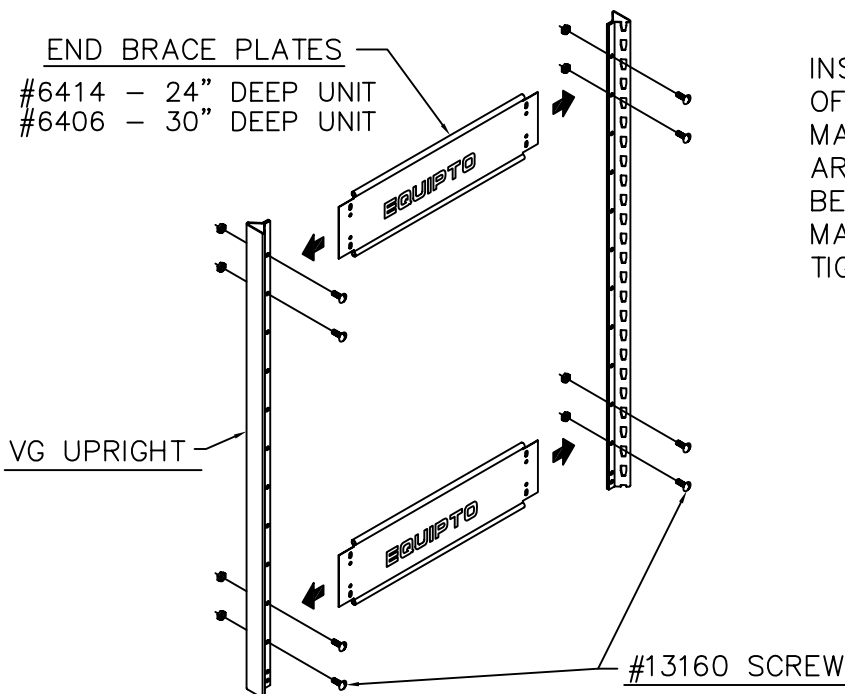
NOTE: DRAWING SHOWS 12" OR 15" DEEP SHELVES. 24" & 30" DEEP SHELVES HAVE ADDITIONAL SLOTS & HOLES

2. DOUBLE ENTRY SHELVING – OPEN ENDS

a. END FRAME ASSEMBLY

(SEE PAGE 12 FOR CLOSED END)

END BRACE PLATES
 #6414 – 24" DEEP UNIT
 #6406 – 30" DEEP UNIT



NOTE

INSERT END BRACE PLATE BETWEEN FLANGES OF THE UPRIGHTS AND FASTEN AS SHOWN. MAKE CERTAIN SLOTS IN BOTH UPRIGHTS ARE FACING IN THE SAME DIRECTION BEFORE BOLTING. (SEE SLOT BELOW) MAKE TWO END FRAME ASSEMBLIES. TIGHTEN SCREWS SECURELY.

SLOT TOP



#13160 SLOTTED TRUSS SCREW
 #10-24 X 3/8"

#13033 #10-24 HEX NUT
 (4 PER END BRACE)



FULL SCALE

e. SLOTTED BACK STOP INSTALLATION

NOTE

POSITION SLOTTED BACK STOP BETWEEN REAR UPRIGHTS AND ENGAGE BACK STOP'S LANCES INTO THE UPRIGHT SLOTS. PUSH DOWNWARD UNTIL THE BACK STOP IS LOCKED IN PLACE. IF REQUIRED BACK STOP CAN BE BOLTED TO THE SHELF WITH #13053 TRUSS HEAD SCREW AND NUT.

ASSEMBLY FROM STEP d.

SLOTTED BACK STOP

- #127621F - 4" HIGH x 36" WIDE
- #127623F - 4" HIGH x 48" WIDE

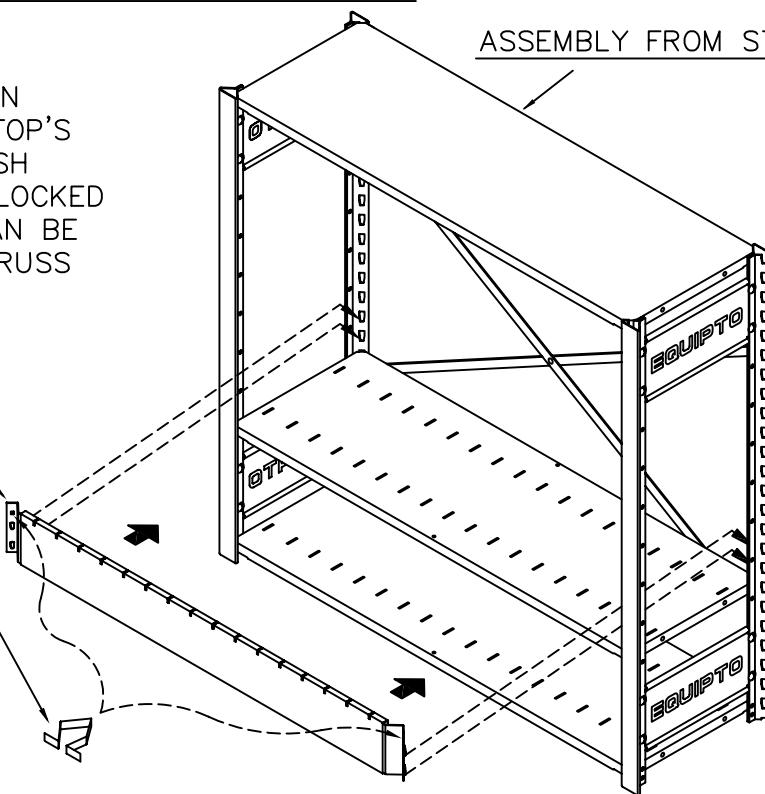
#13037 DART CLIP

AFTER THE BACK STOP IS PUSHED INTO PLACE, INSERT DART CLIPS INTO THE SQUARE HOLE AT EACH END OF BACK STOP.

- #13053 TRUSS HD MACH SCREW
#8-32 X 3/8"
- #13138 #8-32 HEX NUT



FULL SCALE



f. DIVIDERS INSTALLATION

NOTE

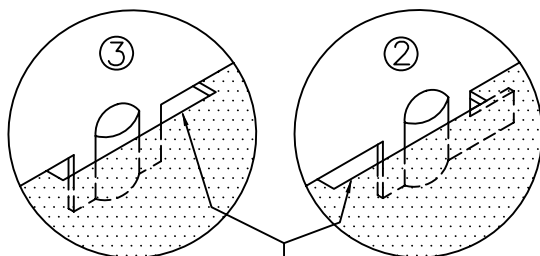
INSERT NOTCHED EDGE OF DIVIDER (1) INTO THE BACK STOP SLOT AND DIVIDER TAB (2) INTO THE SHELF REAR SLOT. PUSH DIVIDER TOWARD THE SLOTTED BACK STOP UNTIL TAB (2) COMPLETELY ENGAGED THE SLOT. INSERT DIVIDER TAB (3) INTO THE FRONT SLOT OF THE SHELF AS SHOWN. NOTE THAT THE SHELF END DIVIDERS WILL LOCK INTO THE BACK STOP 90° ANGLE. NO HARDWARE IS REQUIRED FOR THIS POINT.

ASSEMBLY FROM STEP e.

DIVIDER

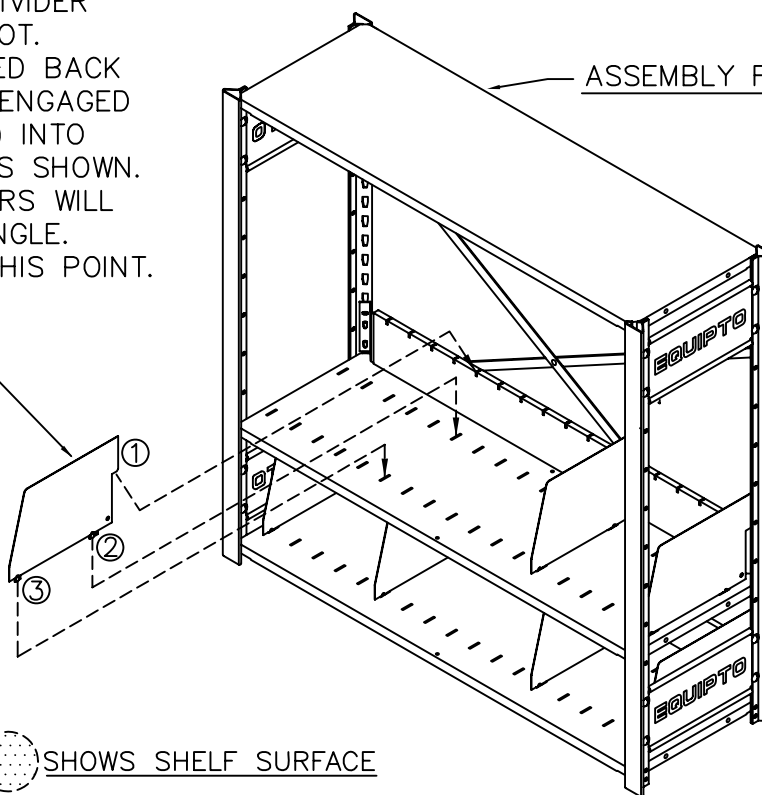
- #127217F - 12" & 24" DEEP
- #127218F - 15" & 30" DEEP

FINAL TABS POSITION

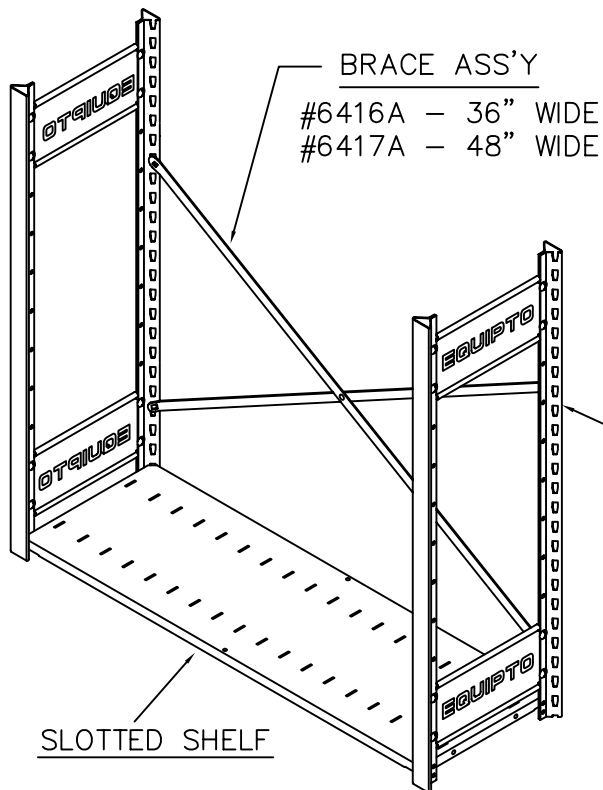


SHELF SLOTS

SHOWN SHOWS SHELF SURFACE



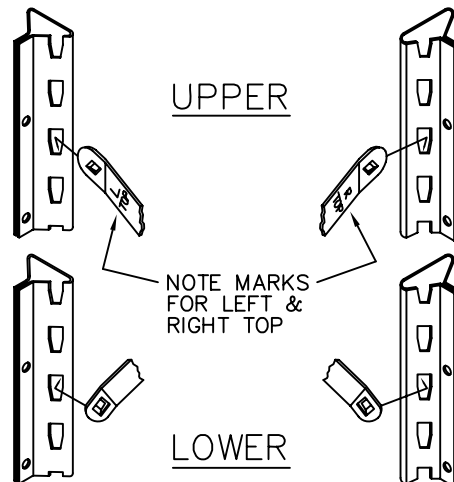
c. BACK SWAY BRACE INSTALLATION



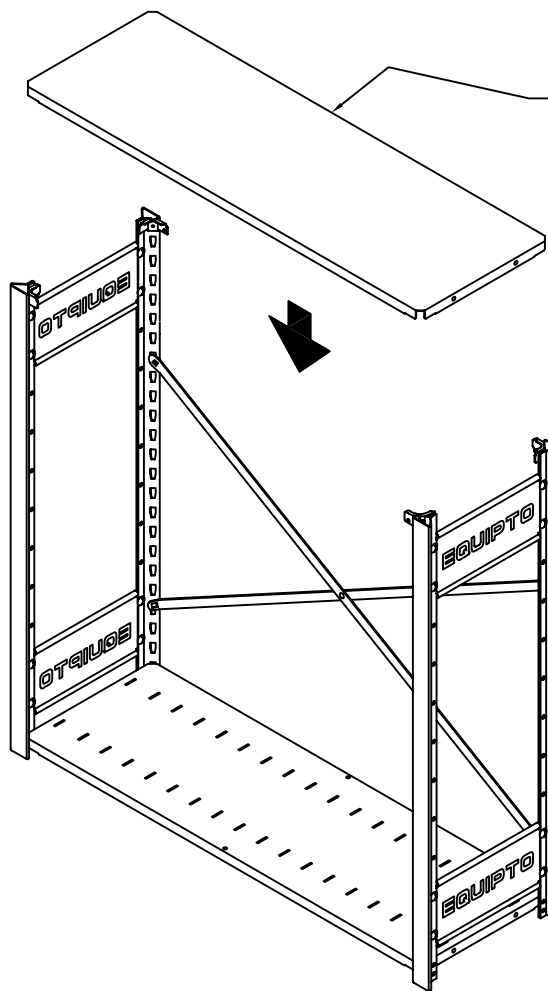
NOTE

AT THIS POINT YOU SHOULD PLAN WHERE EACH SHELF WILL BE SO THERE IS NO CONFLICT WITH PLACEMENT OF BACK BRACE.

HOOK BOTTOM ENDS OF BRACE IN THE FOURTH SLOT FROM BOTTOM OF REAR UPRIGHTS. HOOK TOP ENDS OF BRACES AS SHOWN. BRACES ARE USED TO PROVIDE STABILITY OF THE UNIT.



d. TOP SHELF INSTALLATION



TOP SHELF

- #126514F - 12" DEEP x 36" WIDE
- #126515F - 15" DEEP x 36" WIDE
- #126534F - 12" DEEP x 48" WIDE
- #126535F - 15" DEEP x 48" WIDE

NOTE

POSITION TOP SHELF BETWEEN UPRIGHTS AND CORNER REINFORCEMENTS. PUSH DOWNWARD ON EACH OF FOUR CORNERS OF SHELF TO SEAT PROPERLY. TOP SHELF SHOULD BE INSTALLED LAST AFTER OTHER SHELVES AND BRACES ARE IN PLACE..

ASSEMBLY FROM STEP c.

C

SHELVING TYPES AND INSTALLATION

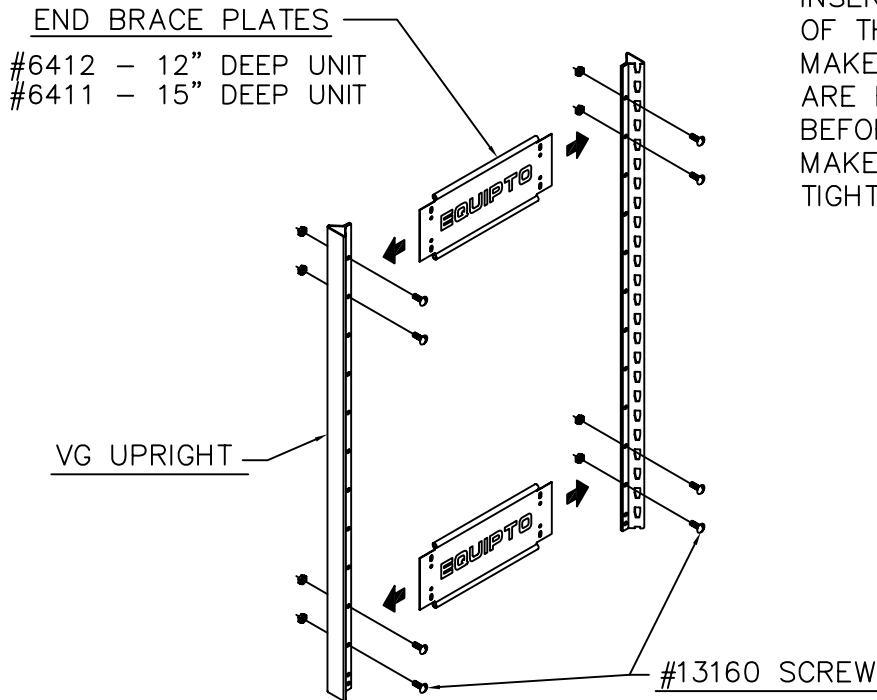
1. SINGLE ENTRY SHELVING – OPEN ENDS

a. END FRAME ASSEMBLY

(SEE PAGE 12 FOR CLOSED ENDS)


NOTE

INSERT BRACE PLATE BETWEEN FLANGES OF THE UPRIGHTS AND FASTEN AS SHOWN. MAKE CERTAIN SLOTS IN BOTH UPRIGHTS ARE FACING IN THE SAME DIRECTION BEFORE BOLTING. (SEE SLOT BELOW) MAKE TWO END FRAME ASSEMBLIES. TIGHTEN SCREWS SECURELY.



SLOT TOP



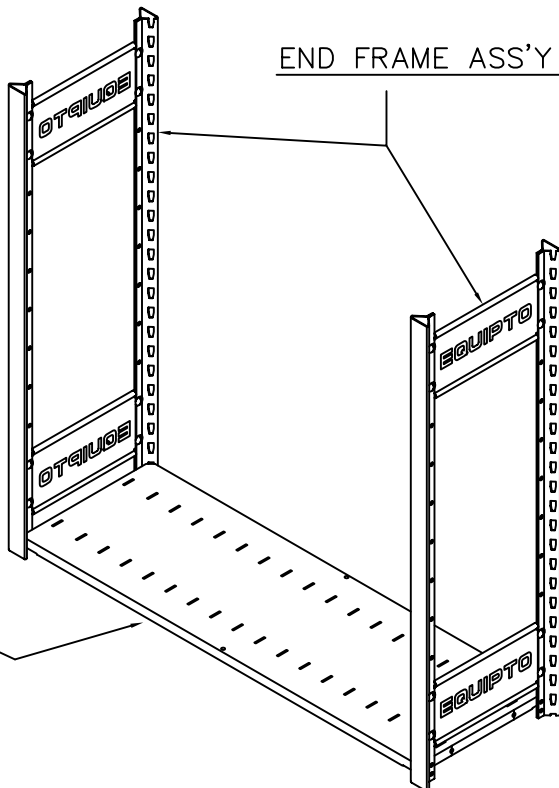
#13160 SLOTTED TRUSS SCREW #10-24 X 3/8"
#13033 #10-24 HEX NUT (4 PER END BRACE)
 FULL SCALE

b. BOTTOM SHELF INSTALLATION

NOTE

START BUILDING THE UNIT BY INSTALLING FIRST SHELF AT THE BOTTOM OF END FRAME ASSEMBLIES. SEE SECTION "B" FOR SHELF TYPES AND INSTALLATION.

UNIT SHOULD BE ASSEMBLED FROM THE BOTTOM UP.

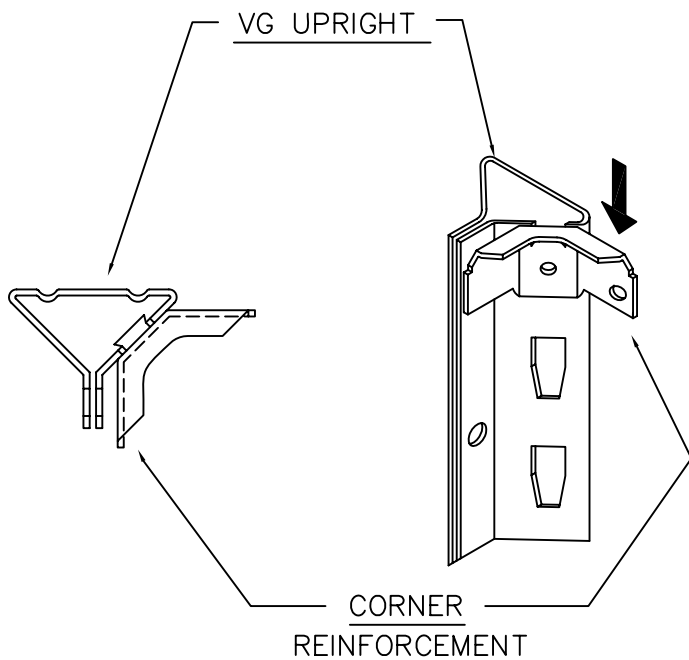


- #126414F – 12" DEEP x 36" WIDE
- #126415F – 15" DEEP x 36" WIDE
- #126434F – 12" DEEP x 48" WIDE
- #126435F – 15" DEEP x 48" WIDE

SHELF

2. TOP SHELF INSTALLATION

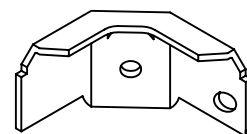
a. CORNER REINFORCEMENT INSTALLATION



NOTE

INSERT CORNER REINFORCEMENT INTO EACH UPRIGHT INTO THE TOP SLOT AS SHOWN. PRESS CORNER REINFORCEMENT DOWN UNTIL IT IS LOCKED IN PLACE.

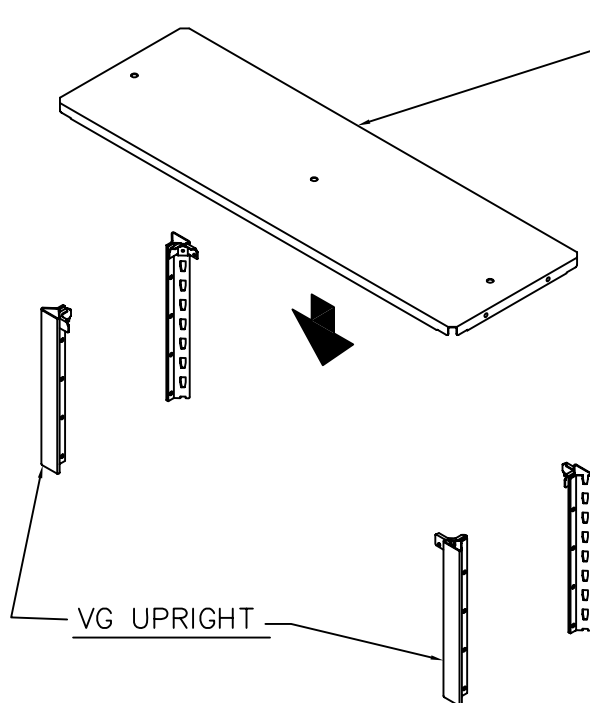
#7680SL CORNER REINFORCEMENT



4 PER SHELF

NOTE: WHEN ASSEMBLING A 24" OR 30" DEEP UNIT THE TOP SHELF IS INSTALLED LAST. THESE UNITS ARE TO BE BUILT FROM THE BOTTOM SHELF UP – INCLUDING STOPS AND SWAY BRACES. (SEE PAGES 11 & 12)

b. TOP SHELF INSTALLATION



- #126514F – 12" DEEP x 36" WIDE
- #126515F – 15" DEEP x 36" WIDE
- #126517F – 24" DEEP x 36" WIDE
- #126518F – 30" DEEP x 36" WIDE
- #126534F – 12" DEEP x 48" WIDE
- #126535F – 15" DEEP x 48" WIDE
- #126537F – 24" DEEP x 48" WIDE
- #126538F – 30" DEEP x 48" WIDE

NOTE

POSITION SHELF BETWEEN FOUR UPRIGHTS AND OVER CORNER REINFORCEMENTS. PUSH DOWNWARD ON EACH OF FOUR CORNERS OF SHELF TO SEAT PROPERLY.

(12" AND 15" DEEP TOP SHELVES DO NOT HAVE HOLES IN TOP SURFACE)

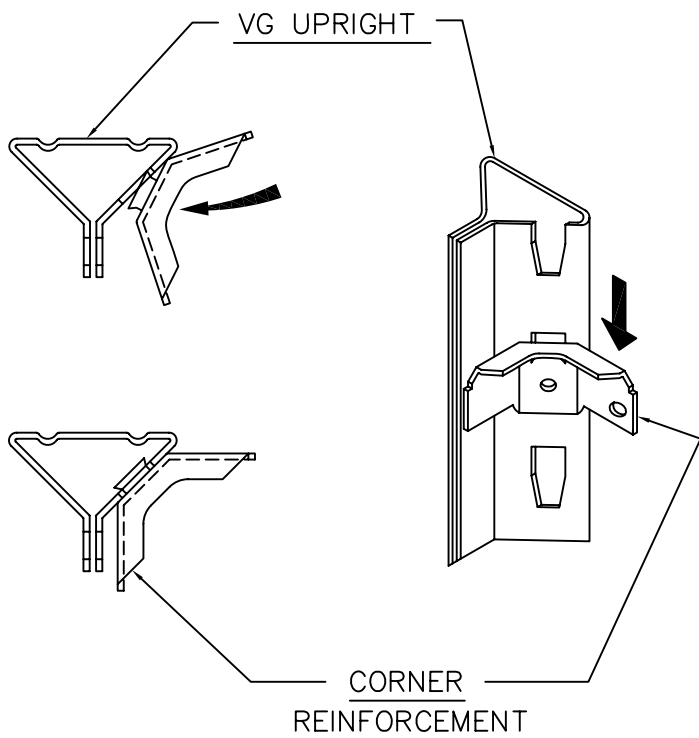
B SHELF TYPES AND INSTALLATION

SHELVES ARE TO BE INSTALLED AFTER END FRAMES ARE BOLTED TOGETHER. (SEE SECTION "C")

1. SLOTTED SHELF INSTALLATION

(THESE ARE BOTTOM & INTERMEDIATE SHELVES)

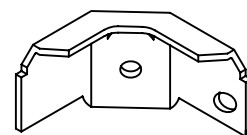
a. CORNER REINFORCEMENT INSTALLATION



NOTE

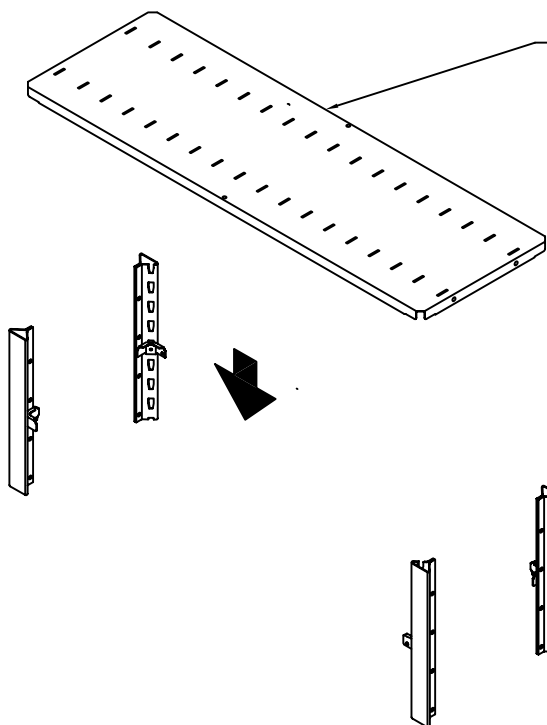
INSERT CORNER REINFORCEMENT INTO EACH UPRIGHT AT THE SAME LEVEL. PRESS CORNER REINFORCEMENT DOWN UNTIL IT IS LOCKED IN PLACE.

#7680SL CORNER REINFORCEMENT



4 PER SHELF

b. SLOTTED SHELF INSTALLATION



SLOTTED SHELF

- #126414F - 12" DEEP x 36" WIDE
- #126415F - 15" DEEP x 36" WIDE
- #126417F - 24" DEEP x 36" WIDE *
- #126418F - 30" DEEP x 36" WIDE *
- #126434F - 12" DEEP x 48" WIDE
- #126435F - 15" DEEP x 48" WIDE
- #126437F - 24" DEEP x 48" WIDE *
- #126438F - 30" DEEP x 48" WIDE *

NOTE

* ATTACH CENTER STOP &/OR SWAY BRACE TO SHELF BEFORE ASSEMBLY TO UPRIGHTS. (ON 24" & 30" SHELVES ONLY - SEE PAGES 11 & 12)

POSITION SHELF BETWEEN FOUR UPRIGHTS AND OVER CORNER REINFORCEMENTS. PUSH DOWNWARD ON EACH OF FOUR CORNERS OF SHELF TO SEAT PROPERLY.

VG UPRIGHT



SLIM LINE SHELVING ELEVATION

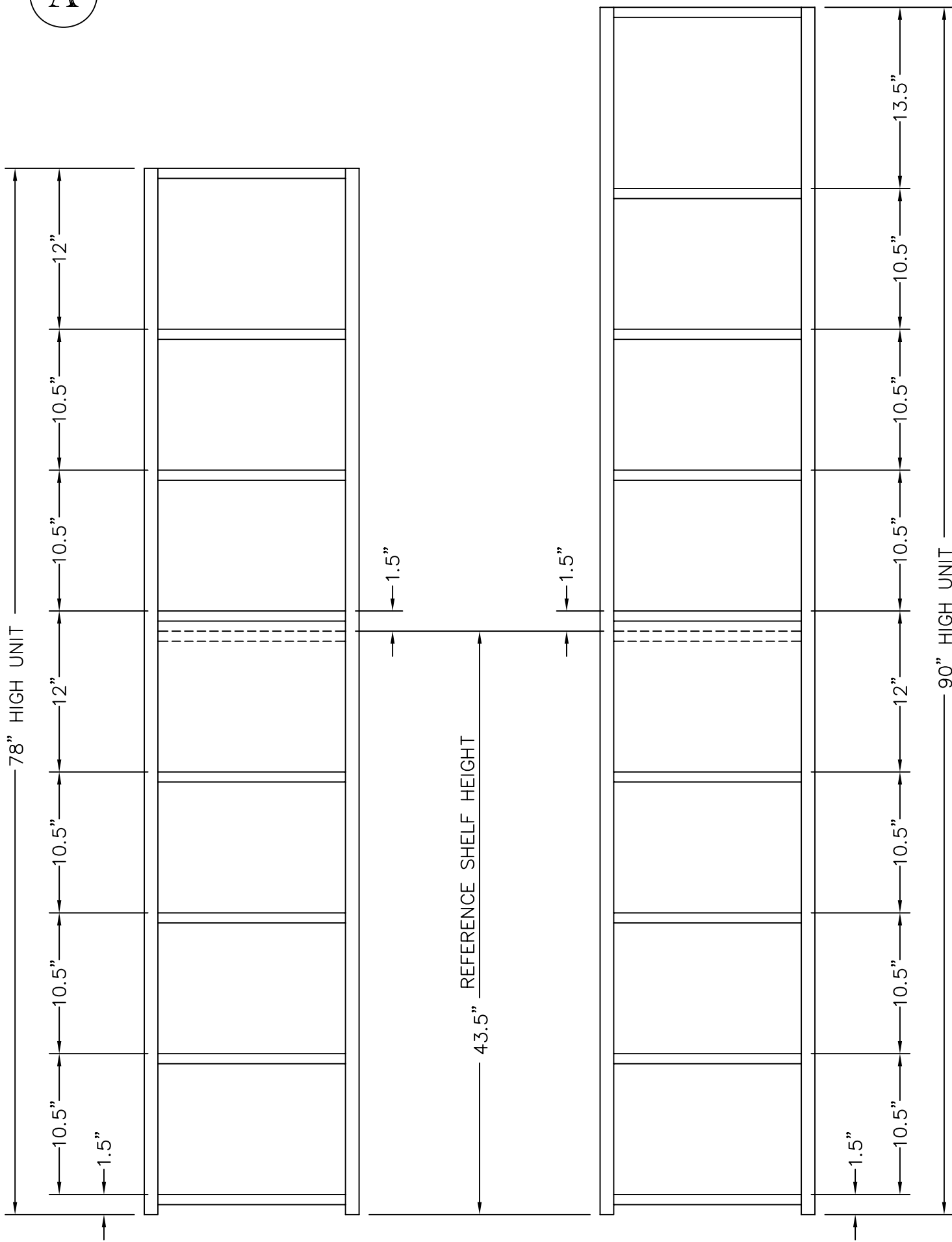
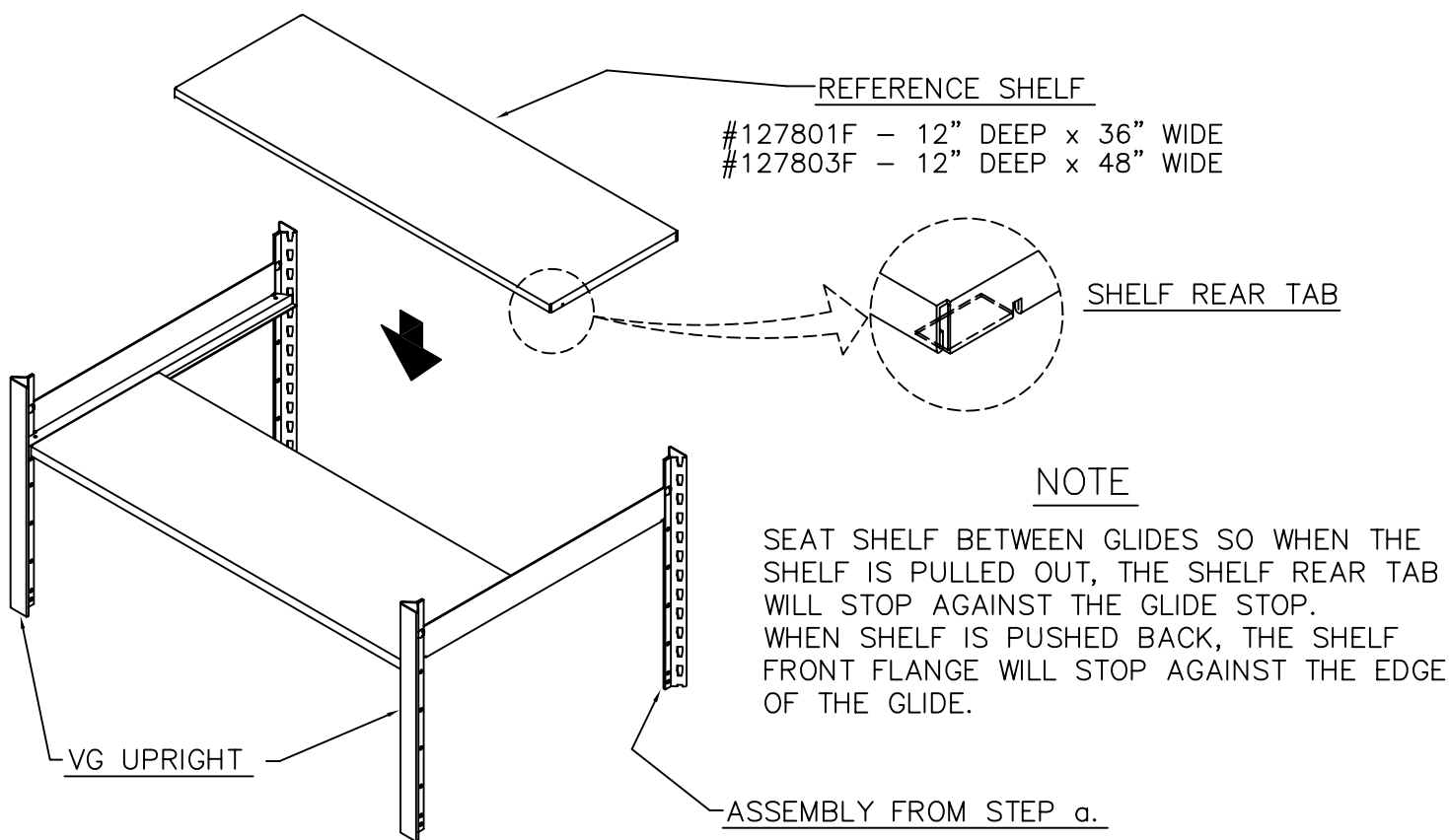


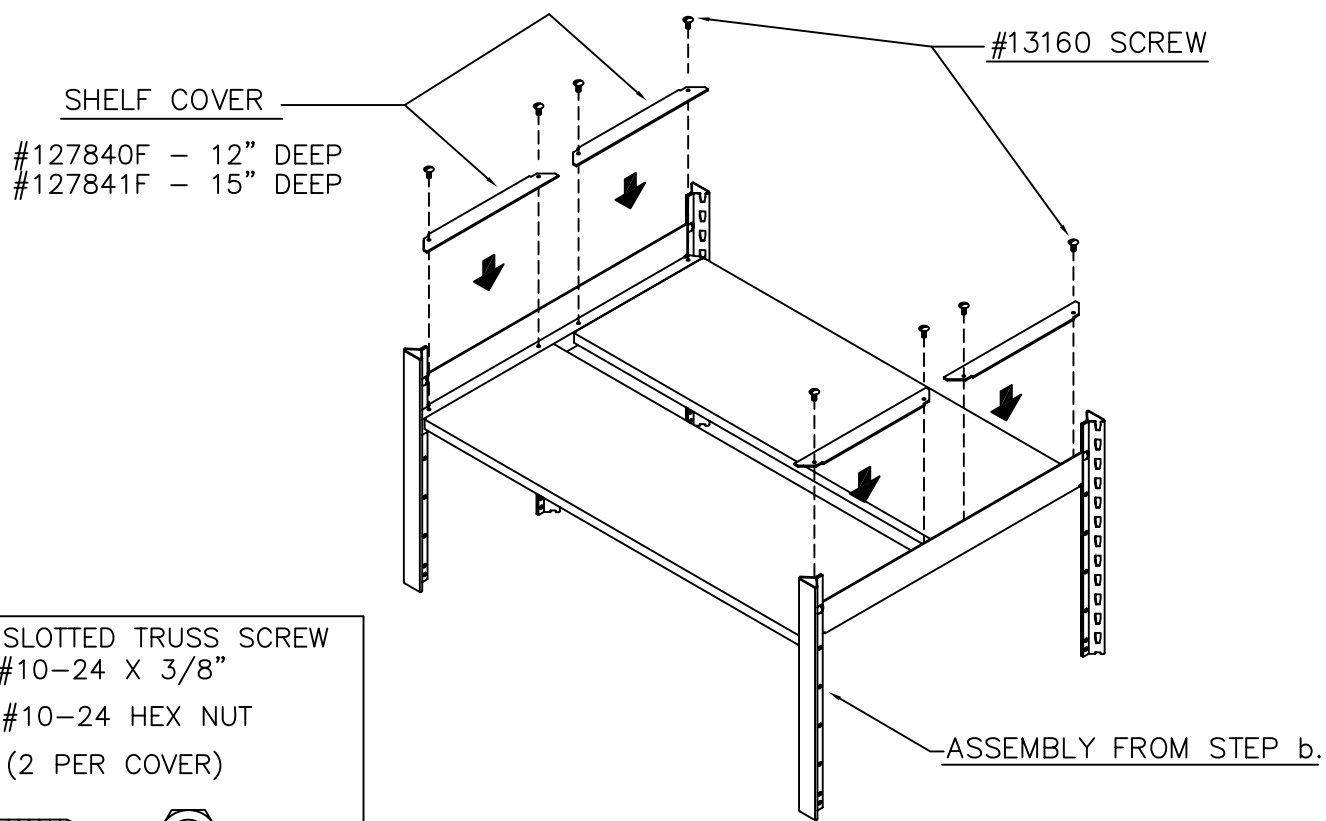
TABLE OF CONTENTS

A.	<u>SLIM LINE SHELVING ELEVATION</u>	3
B.	<u>SHELF TYPES AND INSTALLATION</u>	4
1.	<u>SLOTTED SHELF INSTALLATION</u>	4
a.	CORNER REINFORCEMENT INSTALLATION	4
b.	SLOTTED SHELF INSTALLATION	4
2.	<u>TOP SHELF INSTALLATION</u>	5
a.	CORNER REINFORCEMENT INSTALLATION	5
b.	TOP SHELF INSTALLATION	5
C.	<u>SHELVING TYPES AND INSTALLATION</u>	6
1.	<u>SINGLE ENTRY SHELVING – OPEN ENDS</u>	6
a.	END FRAME ASSEMBLY	6
b.	BOTTOM SHELF INSTALLATION	6
c.	BACK SWAY BRACE INSTALLATION	7
d.	TOP SHELF INSTALLATION	7
e.	SLOTTED BACK STOP INSTALLATION	8
f.	DIVIDERS INSTALLATION	8
g.	END TO END ASSEMBLY	9
2.	<u>DOUBLE ENTRY SHELVING – OPEN ENDS</u>	9
a.	END FRAME ASSEMBLY	9
b.	TOP AND BOTTOM SHELVES INSTALLATION	10
c.	CENTER STOP ASSEMBLY	10
d.	CENTER SWAY BRACE ASSEMBLY	11
e.	DIVIDERS INSTALLATION	11
3.	<u>SINGLE ENTRY SHELVING – CLOSED ENDS</u>	12
4.	<u>DOUBLE ENTRY SHELVING – CLOSED ENDS</u>	12
D.	<u>OPTIONAL REFERENCE SHELF</u>	13
1.	<u>SINGLE ENTRY SHELVING UNITS</u>	13
a.	REFERENCE SHELF GLIDES ASSEMBLY	13
b.	REFERENCE SHELF INSTALLATION	14
c.	SHELF COVER ASSEMBLY	14
2.	<u>DOUBLE ENTRY SHELVING UNITS</u>	15
a.	REFERENCE SHELF GLIDES ASSEMBLY	15
b.	REFERENCE SHELF INSTALLATION	16
c.	SHELF COVER ASSEMBLY	16

b. REFERENCE SHELF INSTALLATION



c. SHELF COVER ASSEMBLY



#13160 SLOTTED TRUSS SCREW
 #10-24 X 3/8"

#13033 #10-24 HEX NUT
 (2 PER COVER)



FULL SCALE

5-08-96 REVISION 1
 9-27-96 REVISION 2