

41647

---

# EQUIPTO

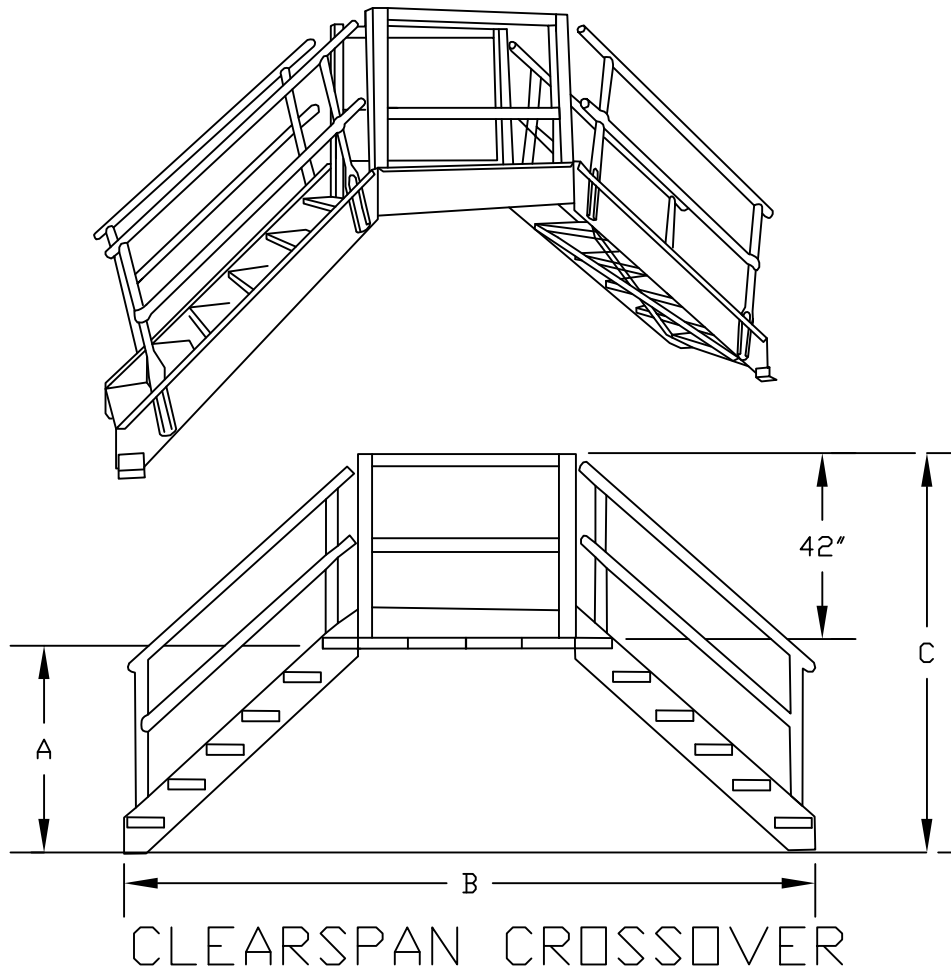
---

## Clear Span Crossover Assembly Instructions

**READ INSTRUCTIONS BEFORE ASSEMBLING**

# TABLE OF CONTENTS

1. BOLTING TREAD SUPPORT ANGLES AND BASE TO RISER PANELS.	PAGE 2
2. ASSEMBLING RISER PANELS, CLEARSPAN CHANNELS AND TOP TREADS.	PAGE 3
3. BOLTING REMAINING STAIR TREADS IN PLACE.	PAGE 4
4. ASSEMBLING BRACING FOR STAIRWAYS.	PAGE 4
5. ASSEMBLING STAIRWAYS RAILINGS.	PAGE 5
6. BOLTING CROSSOVER GRATING IN PLACE.	PAGE 8
7. BOLTING CROSSOVER RAILING POST TO GRATING.	PAGE 9
8. ASSEMBLING BRACKETS TO RAILING POST.	PAGE 10
9. BOLTING RAILING CHANNELS TO THE RAILING POST.	PAGE 11
10. PLACING POST CAP ON THE RAILING POST.	PAGE 12



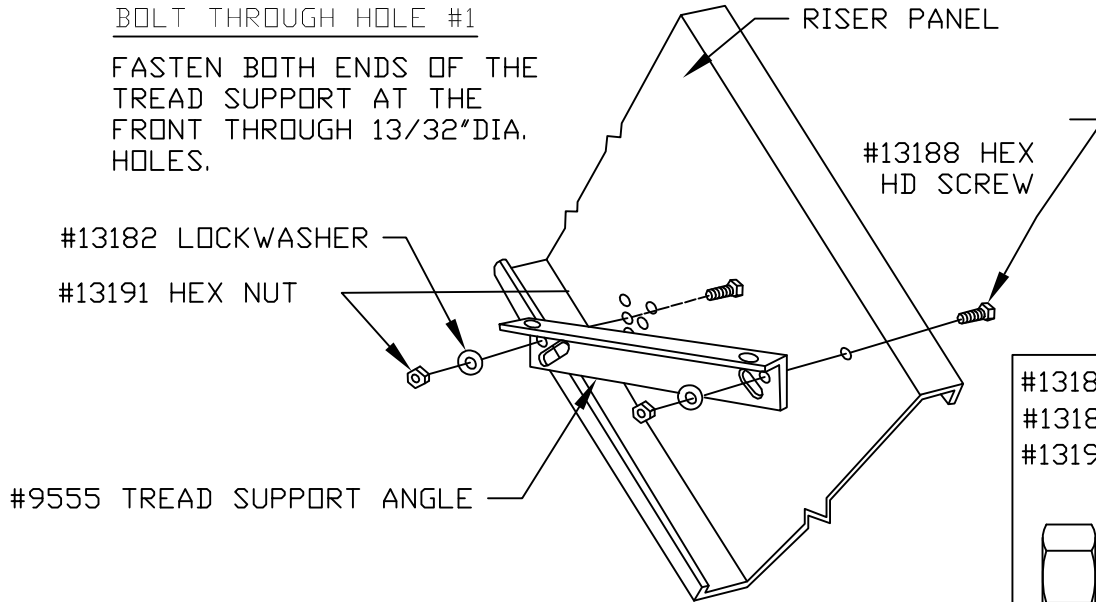
			A	C	B
924B04	930B04	936B04	31"	6' 2 1/2"	9' 11"
924B05	930B05	936B05	39"	6' 10 1/2"	11' 5"
924B06	930B06	936B06	47"	7' 6 1/2"	12' 10"
924B07	930B07	936B07	55"	8' 2 1/2"	12' 10"
924B08	930B08	936B08	63"	8' 10 1/2"	14' 4"
924B09	930B09	936B09	71"	8' 6 1/2"	15' 9"
924B10	930B10	936B10	79"	10' 2 1/2"	17' 3"
924B11	930B11	936B11	88"	10' 11 1/2"	18' 9"

# 1 BOLTING TREAD SUPPORT ANGLES AND BASE TO RISER PANELS.

NUMBER OF TREAD SUPPORTS ARE DETERMINED BY THE HEIGHT OF THE CLEARSPAN CROSSOVER. ALL TREAD SUPPORTS ARE TO BE FASTENED TO RISER PANELS.

### BOLT THROUGH HOLE #1

FASTEN BOTH ENDS OF THE TREAD SUPPORT AT THE FRONT THROUGH 13/32" DIA. HOLES.



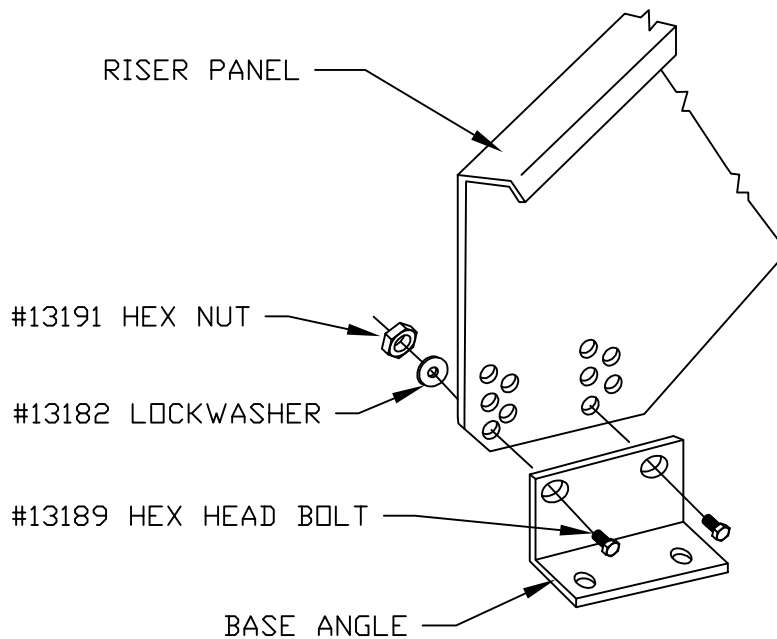
- #13188 HEX HD SCREW 3/8" X 3/4"
- #13182 LOCKWASHER 3/8"
- #13191 HEX NUT 3/8"
- (2 PER ANGLE)



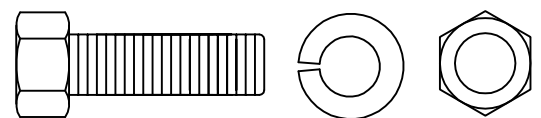
## 1a

NOTE: STAIRWAY IS TO BE ANCHORED TO THE FLOOR BUT NOT UNTIL THE STAIRWAY IS COMPLETELY ASSEMBLED. FLOOR ANCHORS ARE TO BE FURNISHED BY OTHERS. BASE ANGLES MAY BE INSTALLED INSIDE OR OUTSIDE OF THE RISER PANELS. OUTSIDE IS SHOWN.

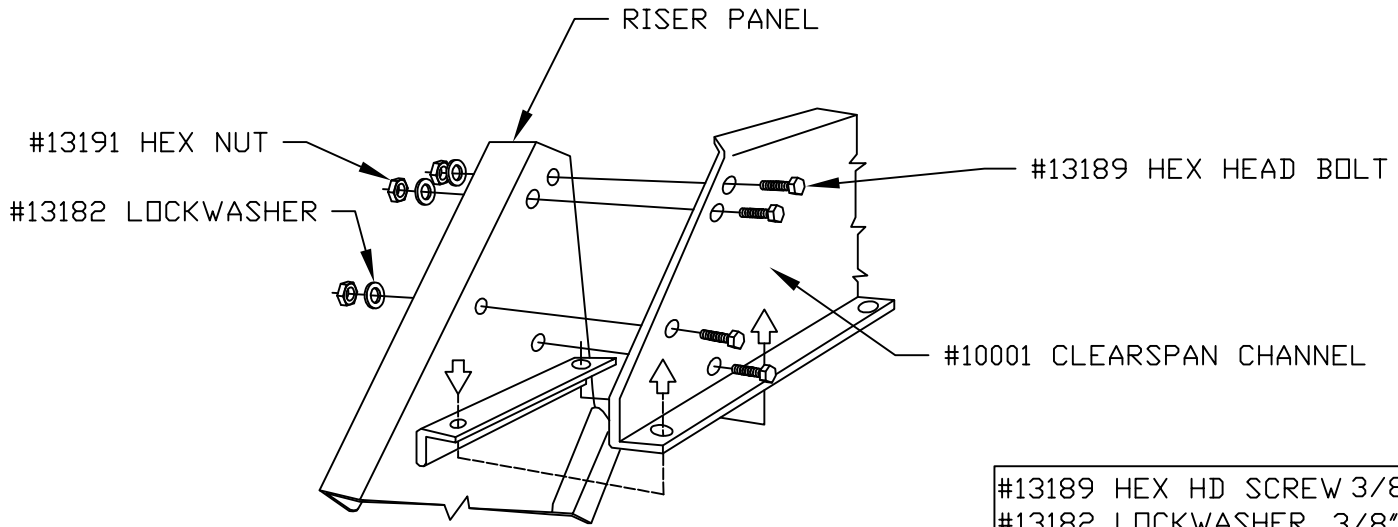
PRECAUTION!  
FAILURE TO ANCHOR BASE ANGLES TO THE FLOOR WILL RESULT IN AN UNSAFE UNIT.



- #13189 HEX HD SCREW 3/8" X 1 1/4"
- #13182 LOCKWASHER 3/8"
- #13191 HEX NUT 3/8"
- (4 PER STAIR PANEL)

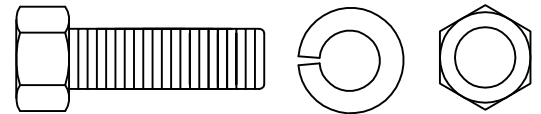


# 2 RISER PANEL ASSEMBLY AND CLEARSPAN CHANNEL ASSEMBLY



**NOTE!**  
BE SURE CLEARSPAN CHANNEL IS RESTING ON THE TOP TREAD SUPPORT AND THAT HOLES IN THE TWO PARTS ARE IN LINE.

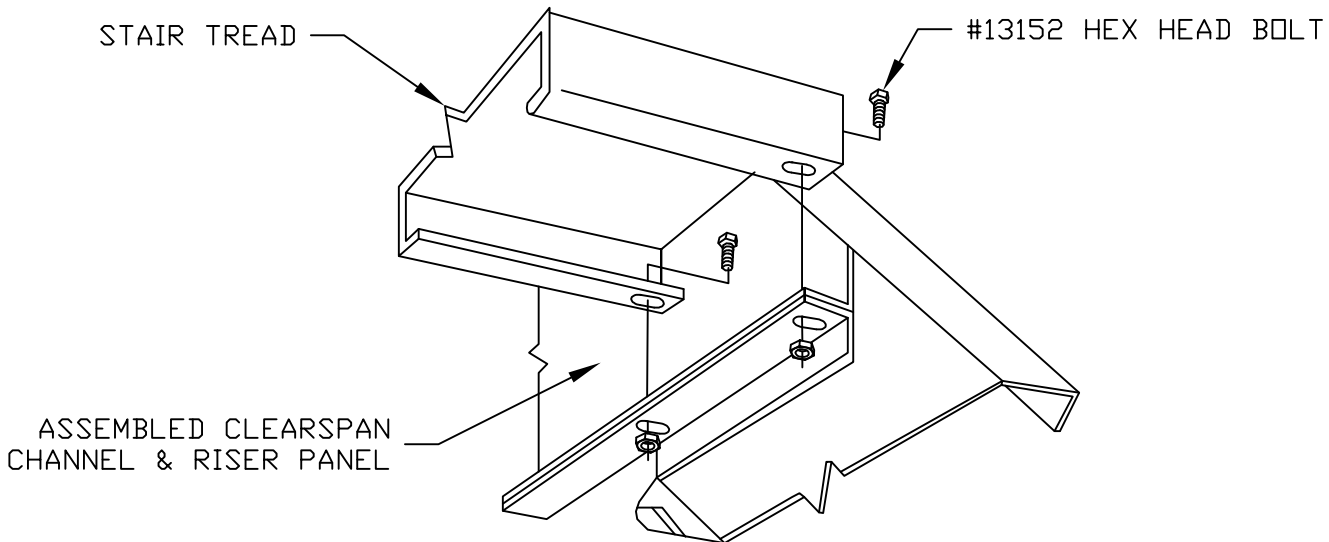
- #13189 HEX HD SCREW 3/8" X 1 1/4"
- #13182 LOCKWASHER 3/8"
- #13191 HEX NUT 3/8"
- (4 PER STAIR PANEL)



(4 PER STAIR TREAD)

## 2a

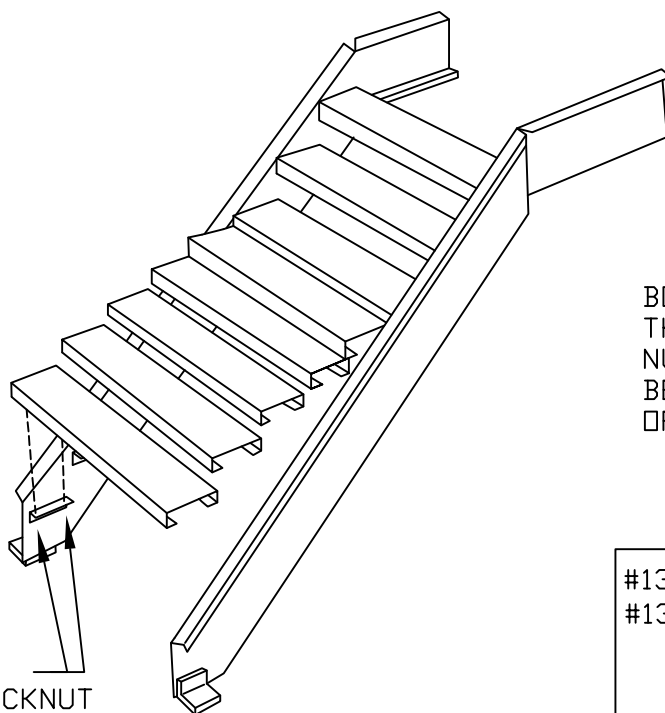
**NOTE:** BOLT THROUGH STAIR TREAD, CLEARSPAN CHANNEL AND TREAD SUPPORT AS SHOWN.



- #13152 HEX HD SCREW 5/18" X 5/8"
- #13051 TWIN WHIZZ LOCKNUT 5/16"
- (4 PER STAIR TREAD)



# 3 RISER PANEL ASSEMBLY AND CLEARSPAN CHANNEL ASSEMBLY

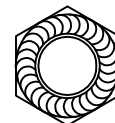
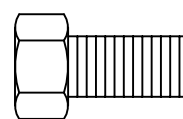


RISER PANEL, CLEARSPAN CHANNEL & TOP TREAD ASSEMBLY

BOLT REMAINING TREADS TO THE STAIR RISER PANELS. NUMBER OF STAIR TREAD TO BE DETERMINED BY HEIGHT OF CLEARSPAN CROSSOVER.

#13152 HEX HD SCREW  
#13051 TWIN WHIZZ LOCKNUT

#13152 HEX HD SCREW 5/16" X 5/8"  
#13051 TWIN WHIZZ LOCKNUT 5/16"  
(4 PER STAIR TREAD)



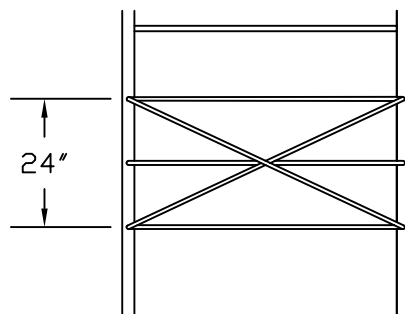
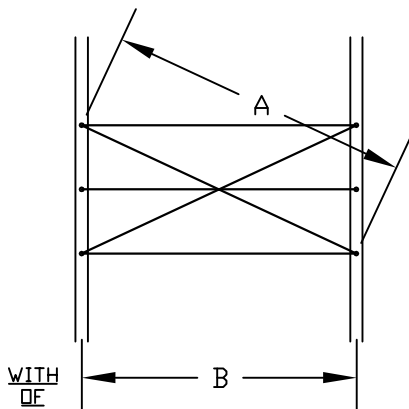
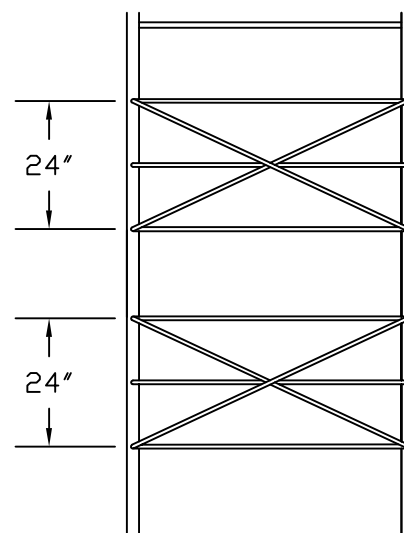
# 4 STAIRWAY BRACING ASSEMBLY

ASSEMBLY PRECAUTION!  
BACK BRACES MUST BE ATTACHED TO STAIRWAYS TO PROVIDE STABILITY. FAILURE TO ATTACH THE BRACES WILL RESULT IN AN UNSAFE UNIT.

F07 THROUGH F11

SWAY BRACE IDENTIFICATION

F04 THROUGH F06



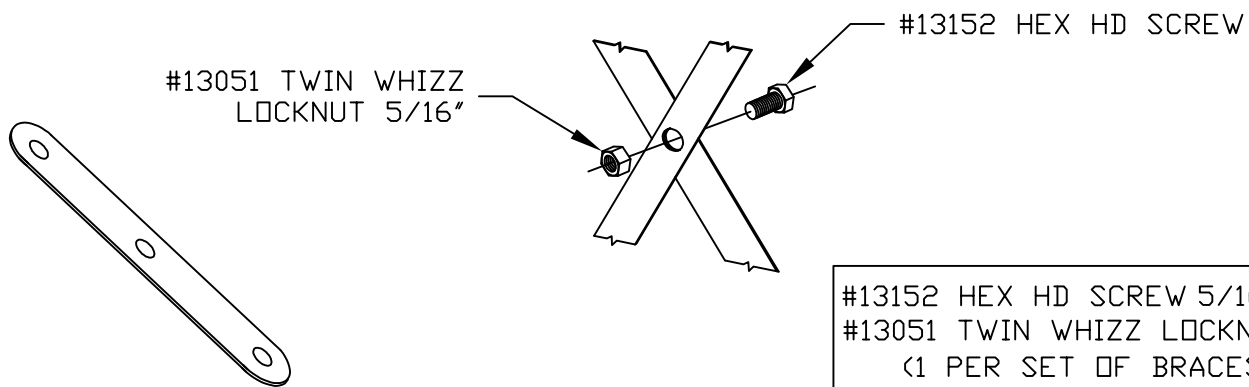
BACK VIEW OF STAIRS AND BRACING LAYOUT

WITH OF UNITS	A	B	Part Number
24"	32	31/32"	22 9/16" (#6492)
30"	37	3/8"	28 9/16" (#6493)
36"	42	1/8"	34 9/16" (#6494)

BOLT TO BACK FLANGE OF RISER PANEL HOLES ON 24" CENTERS.

4a

NOTE: AFTER DIAGONAL BRACES ARE BOLTED IN PLACE, BOLT BRACES IN THE MIDDLE AS SHOWN BELOW.

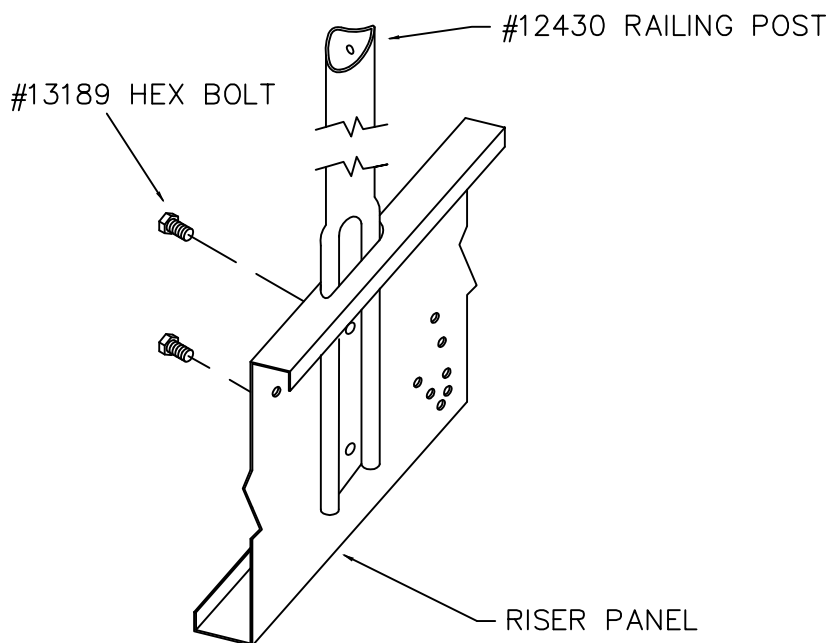


DIAGONAL BRACE  
(EITHER 4 OR 8 PER UNIT)

#13152 HEX HD SCREW 5/16" X 5/8"  
#13051 TWIN WHIZZ LOCKNUT 5/16"  
(1 PER SET OF BRACES)



## 5 STAIR RAILING ASSEMBLY

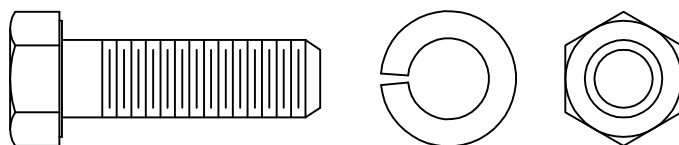


### NOTE

INSERT POST THRU SLOT IN RISER PANEL SO THAT THE HOLE IN THE TOP OF THE POST IS FACING TO THE TOP OF THE STAIRWAY. DO NOT TIGHTEN THESE BOLTS UNTIL COMPLETE RAIL IS ASSEMBLED.

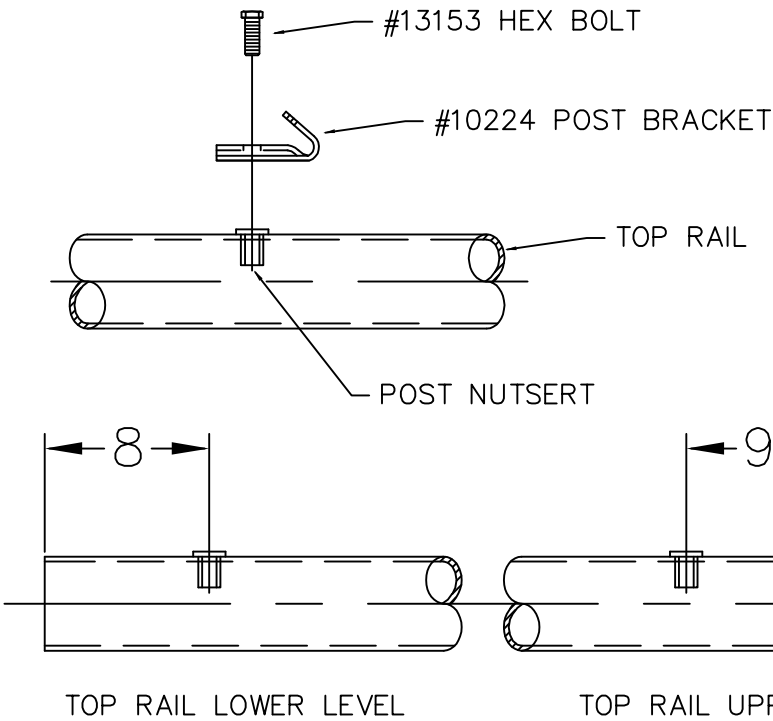
#13189 HEX BOLT 3/8"-16 x 1 1/4"  
#13191 HEX NUT 3/8"-16  
#13182 SPRING LOCKWASHER 3/8"

(2 PER POST)



FULL SCALE

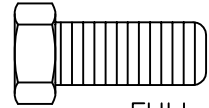
# 5a STAIR RAILING ASSEMBLY



## NOTE

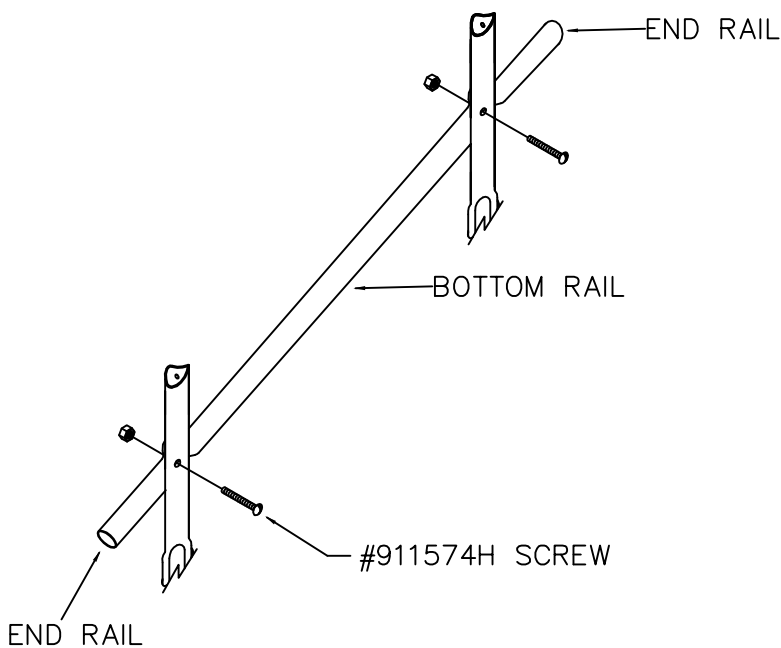
KEEP ROUNDED END OF BRACKET TOWARD TOP END OF RAIL. TIGHTEN BOLTS SECURELY.

#13153 HEX BOLT 5/16" x 3/4"  
(1 PER ASSEMBLY)



FULL SCALE

# 5b STAIR RAILING ASSEMBLY



## NOTE

RISER NOT SHOWN FOR CLARITY. INSERT ALL BOLTS WITH THE HEAD TOWARD INSIDE STAIRWAY. TIGHTEN ALL BOLTS SECURELY.

#911574H TRUSS HD MACH SCREW  
5/16" X 2 1/2"

#13051 LOCKNUT  
5/16" - 18

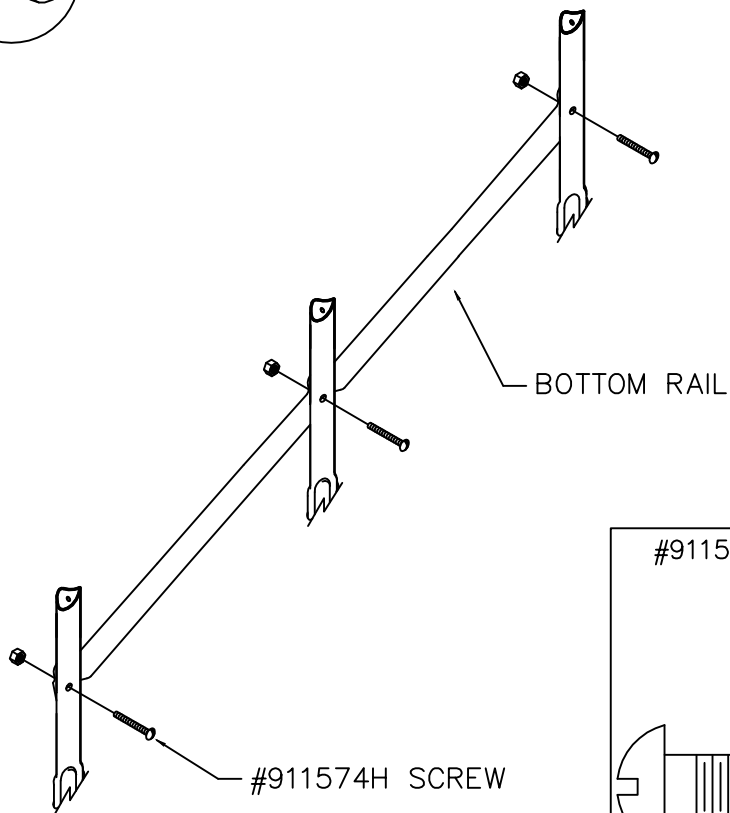
(1 PER RAIL POST)



FULL SCALE

5c

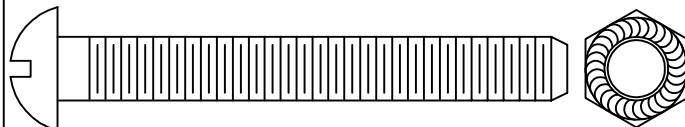
# STAIR RAILING ASSEMBLY



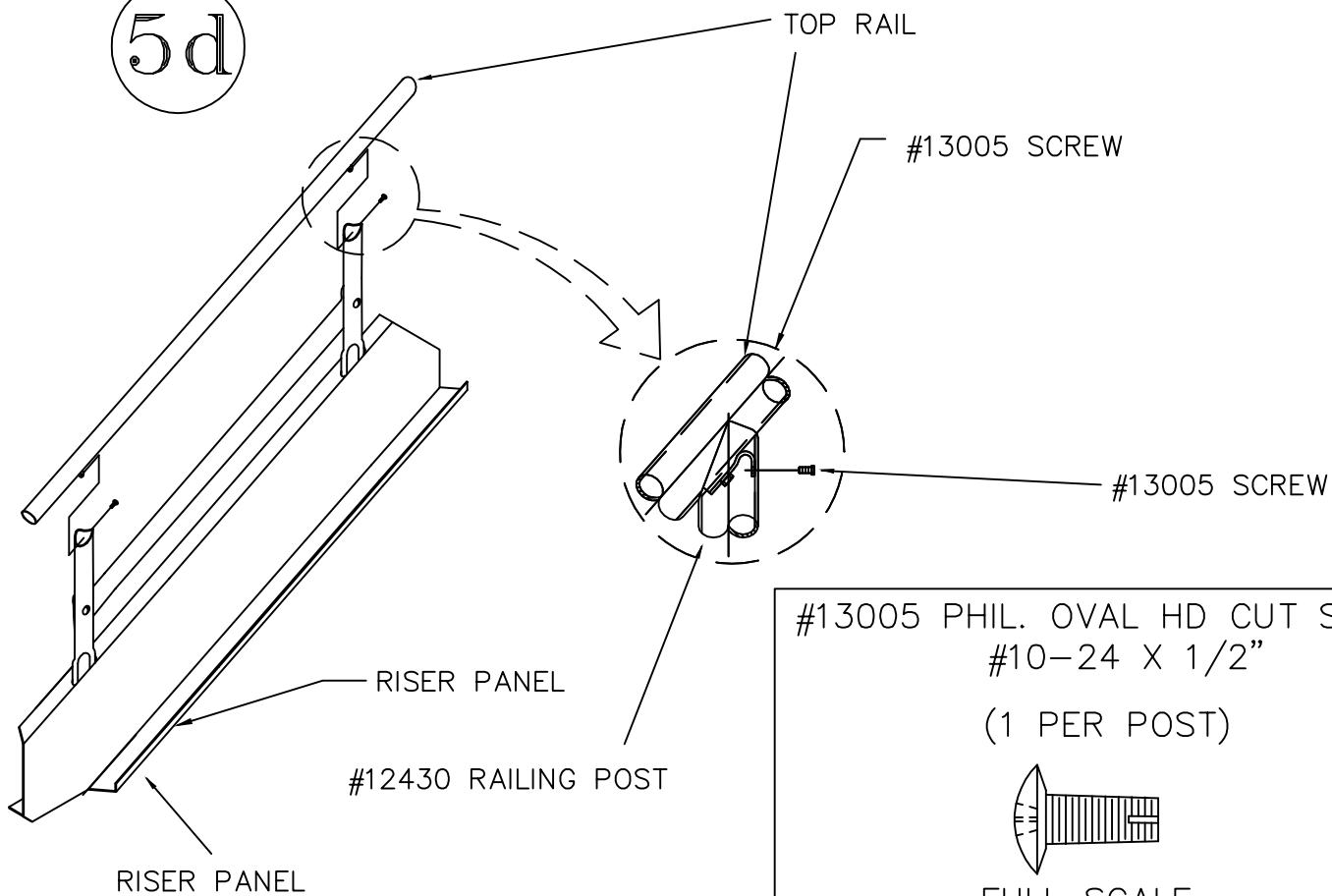
## NOTE

RISER NOT SHOWN FOR CLARITY.  
INSERT ALL BOLTS WITH THE HEAD  
TOWARD INSIDE STAIRWAY.  
TIGHTEN ALL BOLTS SECURELY.

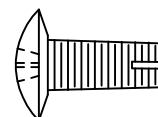
- #911574H TRUSS HD MACH SCREW  
5/16" X 2 1/2"
- #13051 LOCKNUT  
5/16" - 18  
(1 PER RAIL POST)



5d



- #13005 PHIL. OVAL HD CUT SCREW  
#10-24 X 1/2"
- (1 PER POST)



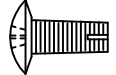
FULL SCALE



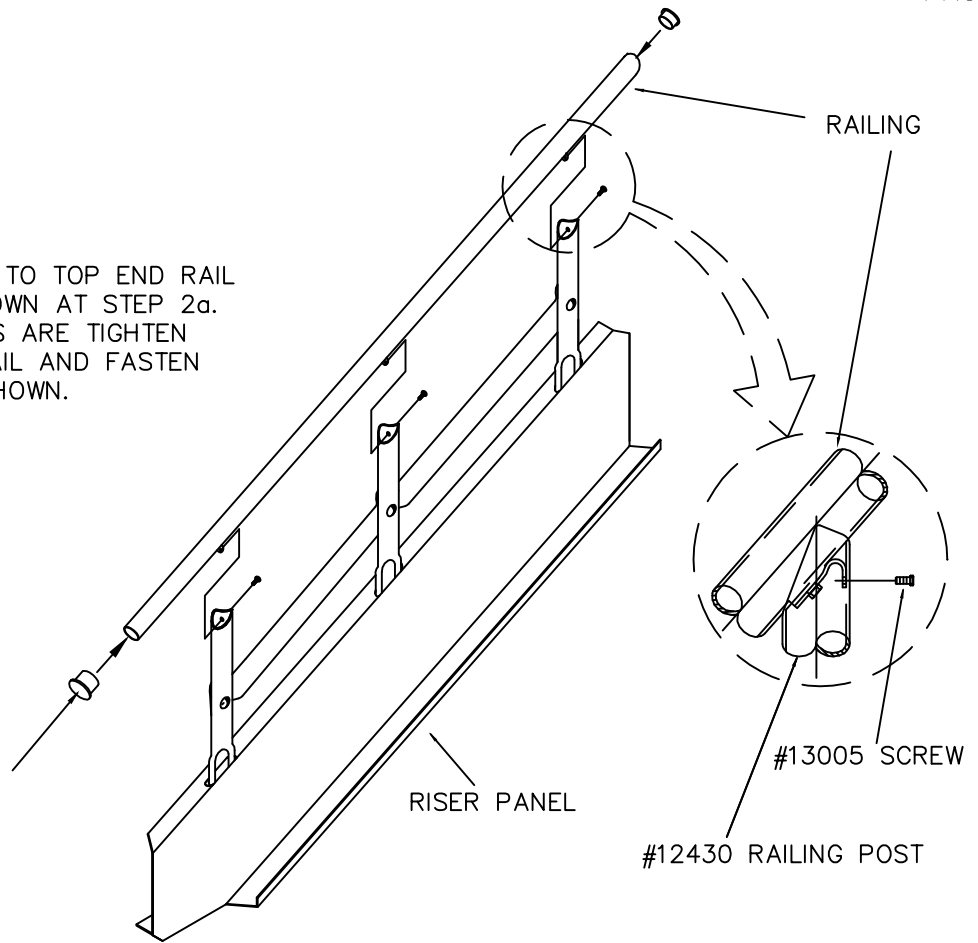
5e

NOTE

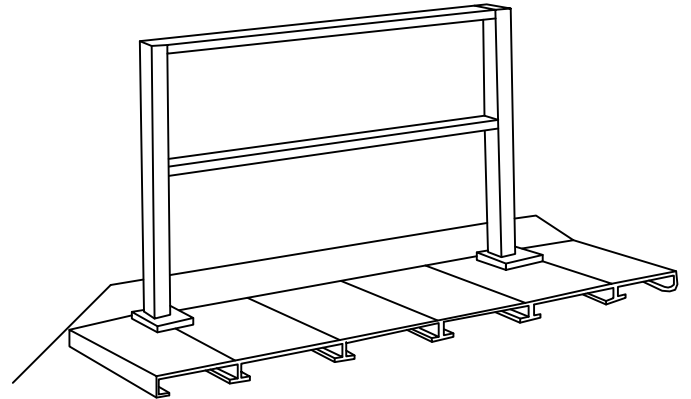
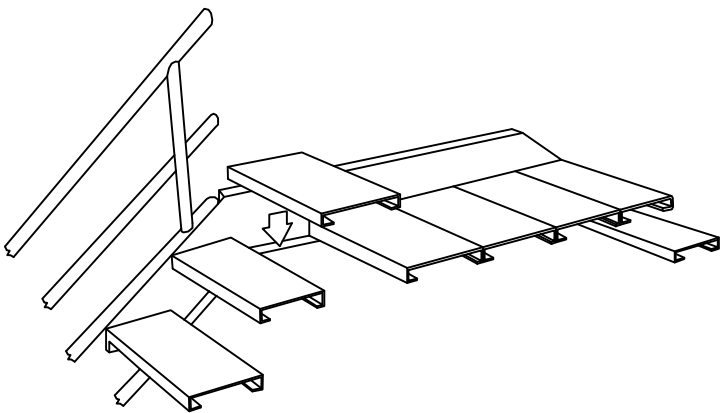
ASSEMBLE POST BRACKET TO TOP END RAIL IN THE SAME WAY AS SHOWN AT STEP 2a. MAKE SURE ALL BRACKETS ARE TIGHTEN SECURELY TO TOP END RAIL AND FASTEN THE RAIL TO POSTS AS SHOWN.

#13005 PHIL. OVAL HD CUT SCREW  
#10-24 X 1/2"  
(1 PER POST)  
  
FULL SCALE

#10209 RAILING PLUG



6 BOLTING CROSSOVER GRATING IN PLACE.



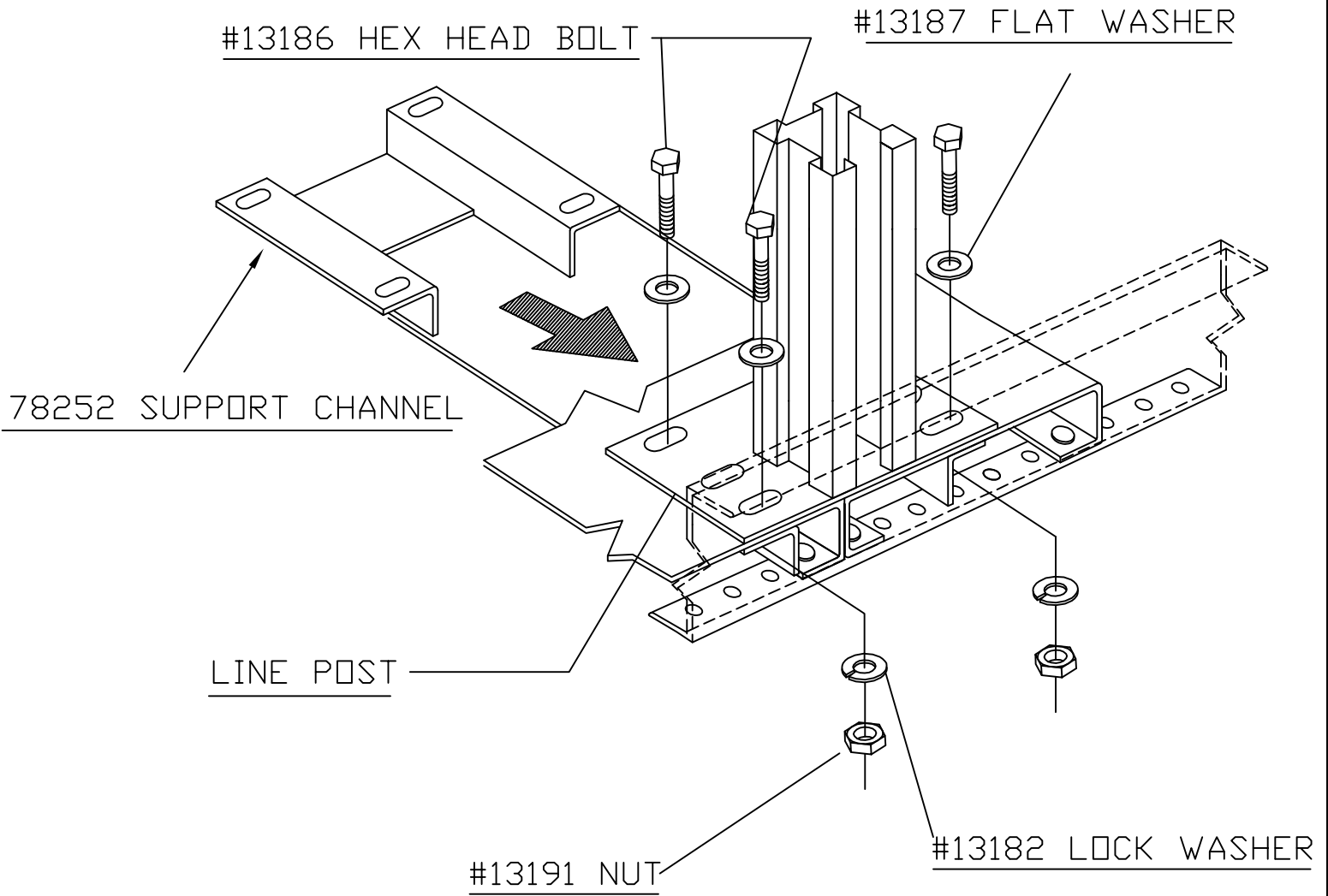
NOTE: PLACE CROSSOVER GRATING (12" x 36") ON THE FLANGES OF THE CROSSOVER CHANNEL. (4 PER UNIT)

#13152 HEX HD SCREW 5/16" X 5/8"  
#13051 TWIN WHIZZ LOCKNUT 5/16"  
(4 PER PANEL)



7

# BOLTING CROSSOVER RAILING TO GRATING.



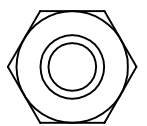
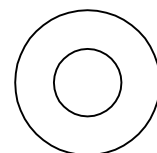
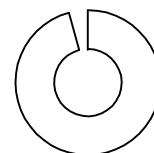
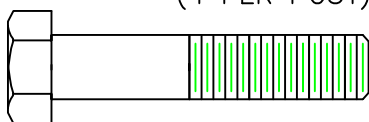
#13186 HEX HEAD BOLT 3/8-16 x 1 3/4"

#13191 NUT 3/8-18

#13187 FLAT WASHER 3/8

#13182 LOCKWASHER

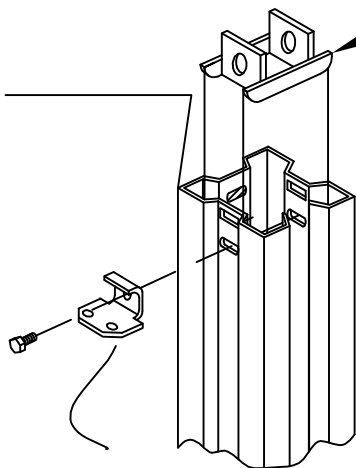
(4 PER POST)



# 8 ASSEMBLING BRACKETS TO RAILING POST.

#78183 SPACER CHANNEL

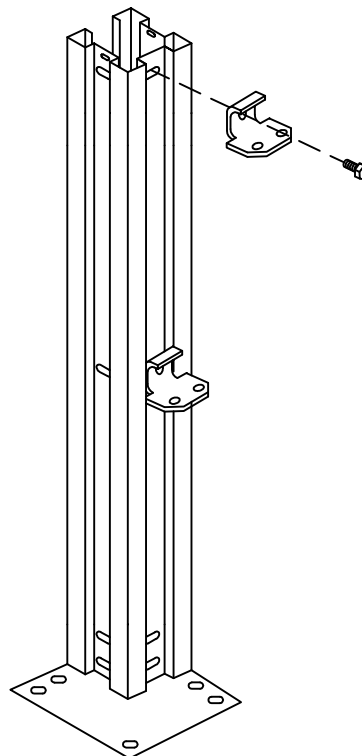
POST



#78177 RAILING MOUNTING BRACKET

## MOUNTING BRACKETS TO POSTS

1. POSITION SPACER CHANNEL INSIDE POST AS SHOWN. (ONE AT THE TOP OF POST ONLY.)
2. BOLT RAILING BRACKETS POST WHERE HANDRAILS ARE REQUIRED.
3. BOLT KICKPLATE MOUNTING ANGLE TO POST AS SHOWN.



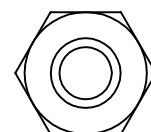
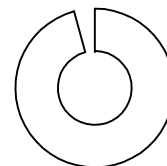
POST PERSPECTIVE

#13153 HEX HEAD BOLT 5/16"-16 x 3/4"

#13051 LOCKNUT 5/16-18

#13176 LOCKWASHER 5/16

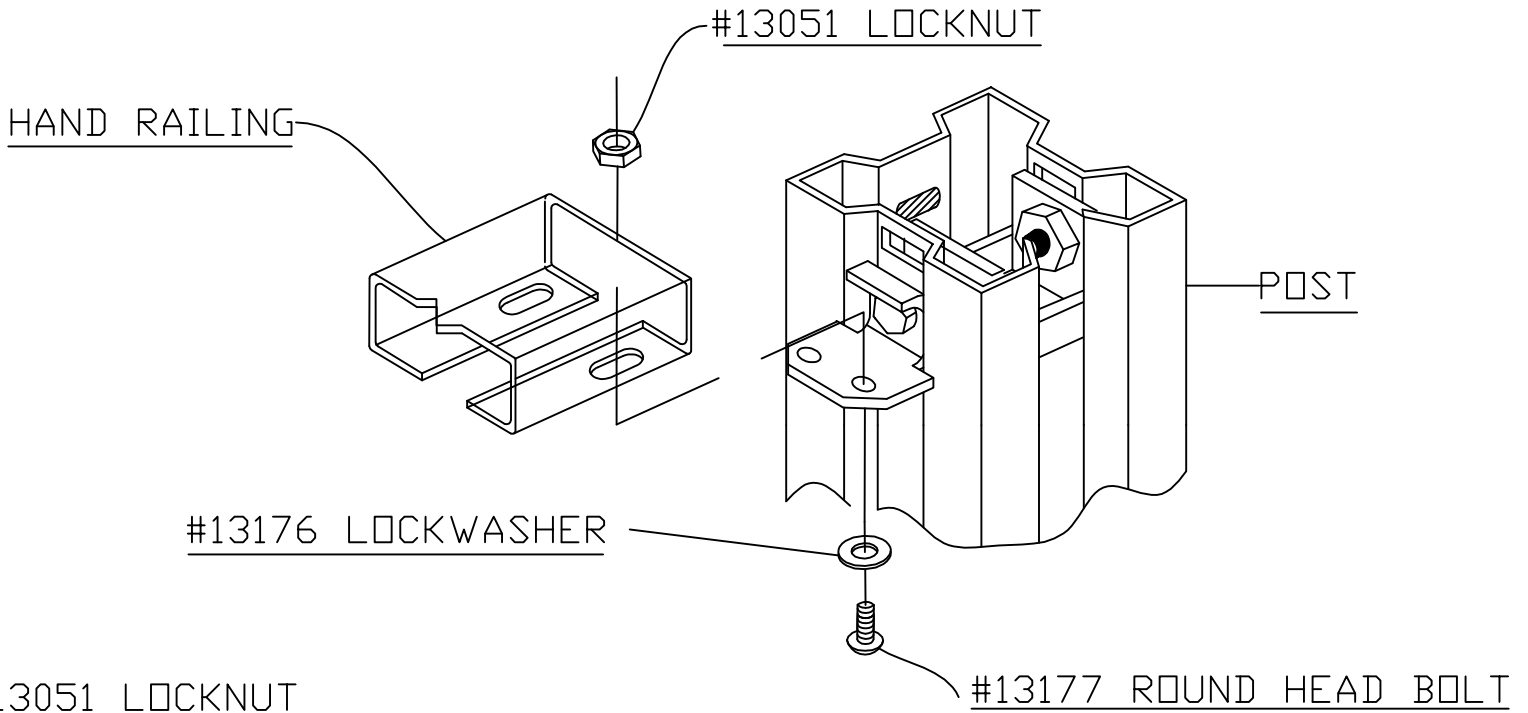
(1 PER BRACKET)



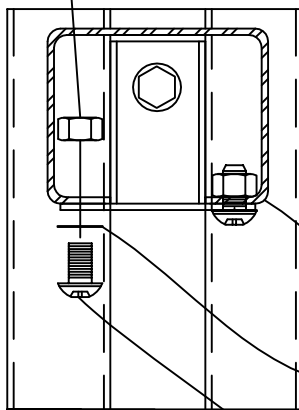
# 9

## BOLTING RAILING CHANNELS TO THE RAILING POST.

NOTE: PLACE THE RAILING CHANNEL ON THE MOUNTING BRACKETS AND BOLT IN PLACE



#13051 LOCKNUT



HAND RAILING

#13176 LOCKWASHER

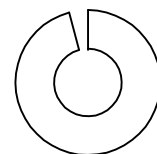
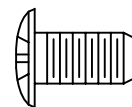
#13177 ROUND HEAD BOLT

#13177 ROUND HEAD BOLT 5/16-18 x 1/2"

#13176 LOCKWASHER 5/16"

#13051 LOCKNUT 5/16-18

(2 PER CABINET)



# 10 PLACING POST CAP ON THE RAILING POST.

NOTE: POSITION CAP, PUSH HOOK BACK WITH SCREWDRIVER, AND SNAP CAP INTO PLACE.

