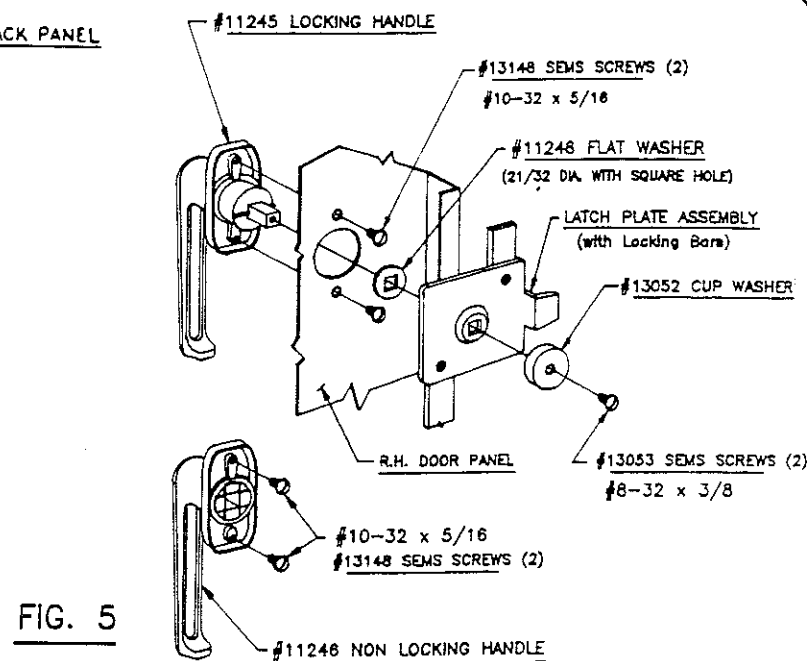
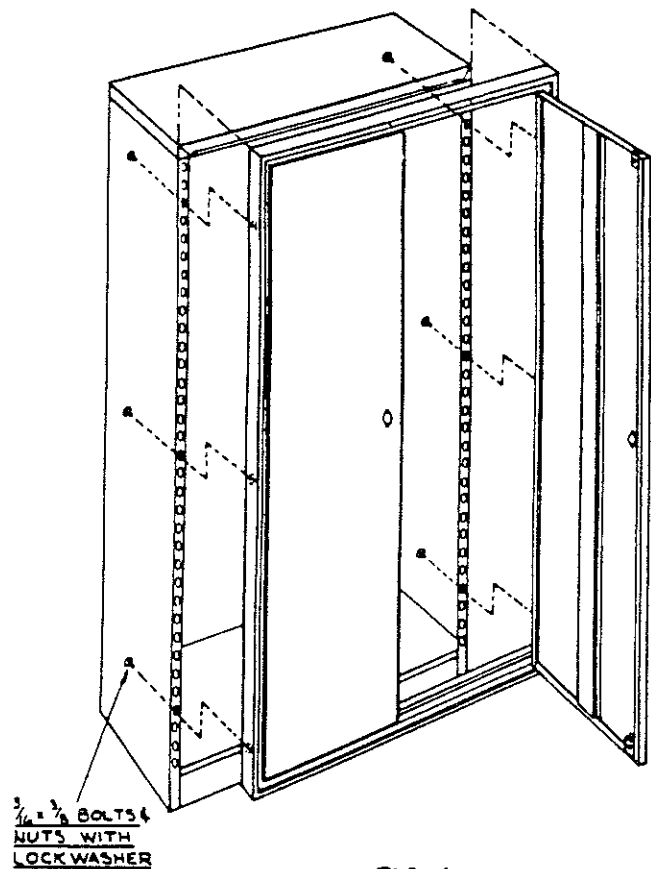
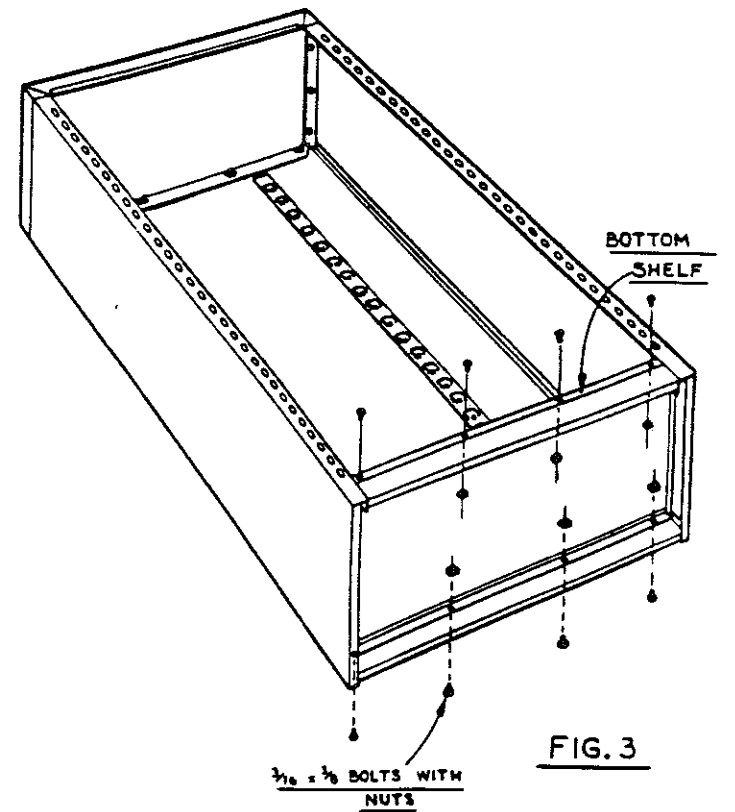
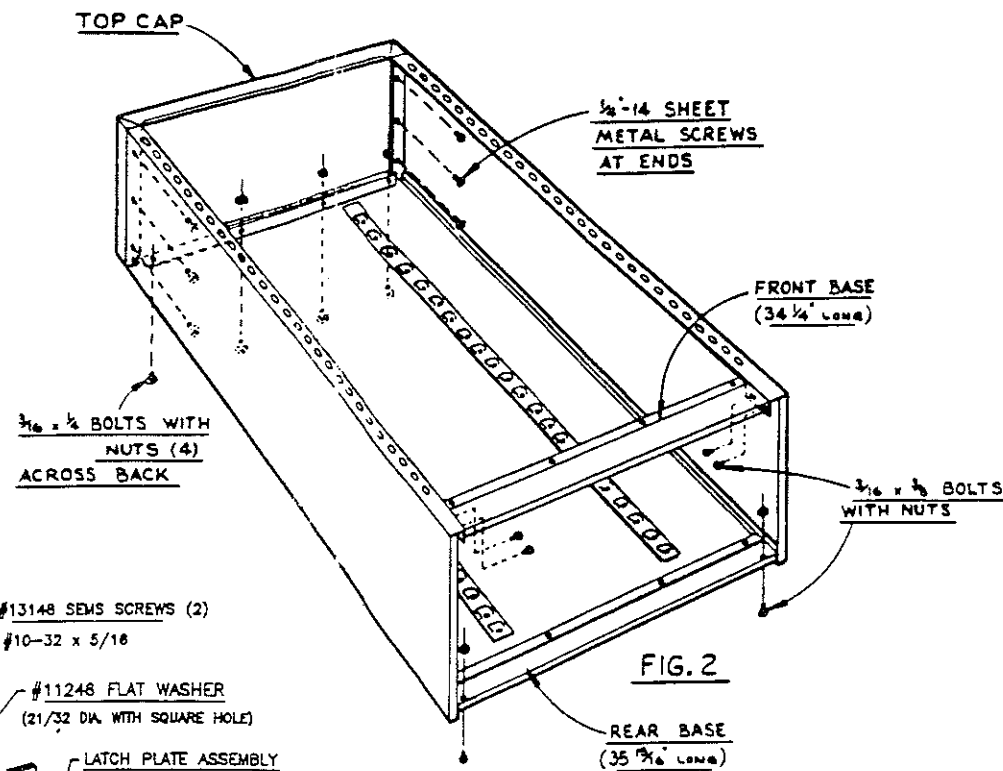
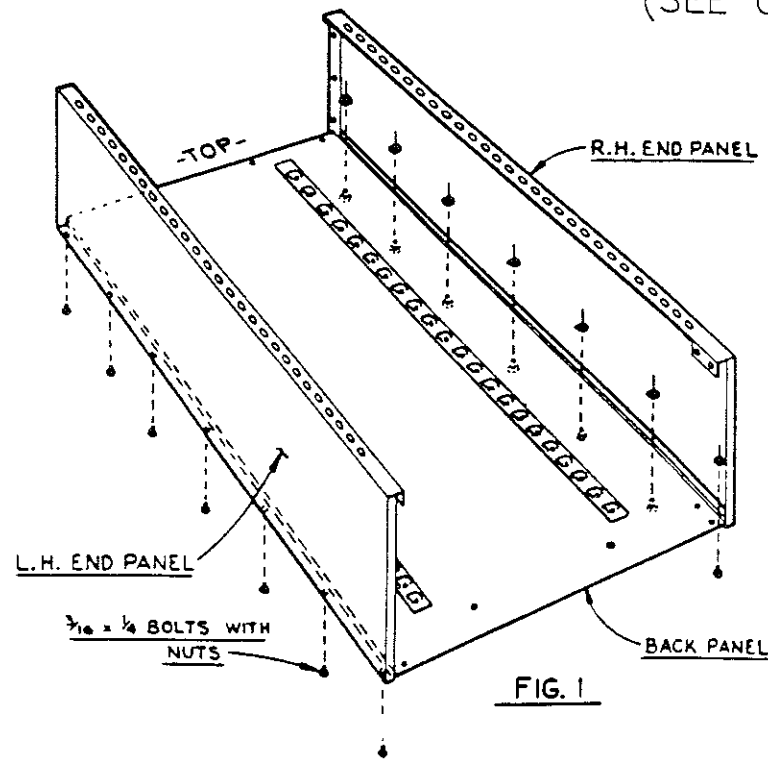


EQUIPTO STORAGE CABINETS #1710 & #1715 ASSEMBLY INSTRUCTIONS

SAMPLE 4

(SEE OPPOSITE SIDE FOR WARDROBE & COMBINATION CABINET INSTRUCTIONS)

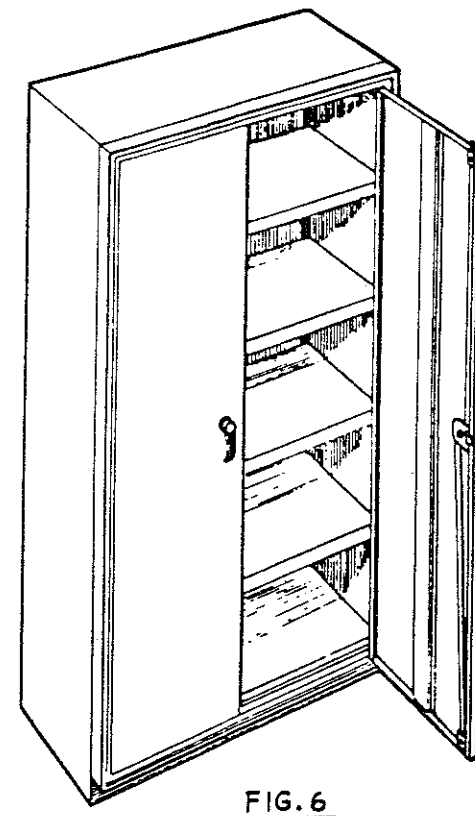


#11245 LOCKING HANDLE ASSEMBLY

1. POSITION LOCKING HANDLE SO THAT SHANK OF LOCK PASSES THRU THE DOOR PANEL AND FASTEN SECURELY IN PLACE WITH #10-32 x 5/16" SEMS.
2. SLIDE FLAT WASHER WITH SQUARE HOLE OVER SQUARE SHANK OF LOCK.
3. INSERT ENDS OF LOCKING BARS INTO SLOTTED GUIDE BRACKETS AT TOP AND BOTTOM OF DOOR PANEL. INSTALL LATCH PLATE OVER END OF SQUARE SHANK. NOTE - TANG OF LATCH PLATE IS TO INNER EDGE OF R.H. DOOR PANEL.
4. PLACE THE CUP WASHER OVER THE EMBOSSED HOLE OF THE LATCH PLATE AND TURN THE HANDLE TO DETERMINE IF LOCKING BARS ARE OPERATING PROPERLY. INSERT THE #8-32 x 3/8" SEMS SCREW AND TIGHTEN SECURELY.
5. CLOSE BOTH DOORS AND TURN HANDLE TO CHECK DOOR LATCHING.

#11248 NON LOCKING HANDLE ASSEMBLY

1. POSITION NON LOCKING OVER HOLES IN LEFT HAND DOOR AND FASTEN IN PLACE WITH #10-32 x 5/16" SEMS SCREWS. TIGHTEN SCREWS SECURELY.



ASSEMBLY INSTRUCTIONS

- Fig. 1. POSITION BACK PANEL (WITH LOUVERS UP) ACROSS TWO SAW HORSES. HOOK REAR FLANGES OF END PANELS UNDER END FLANGES OF BACK PANEL & BOLT IN PLACE WITH #10-24 x 1/4" BOLTS & NUTS.
- Fig. 2. PLACE OFFSET REAR FLANGE OF TOP CAP ON BACK PANEL & FASTEN WITH #10-24 x 1/4" BOLTS AND NUTS (4). FASTEN ENDS OF TOP CAP TO TOP ENDS OF END PANELS WITH 1/4-14 SHEET METAL SCREWS. PLACE REAR BASE ON BOTTOM OF BACK PANEL & FASTEN THRU TWO BOTTOM HOLES. POSITION FRONT BASE BETWEEN FRONT OF END PANELS & BOLT IN PLACE. USE #10-24 x 3/8" BOLTS & NUTS FOR BASE ASSEMBLIES.
- Fig. 3. TELESCOPE FRONT & REAR OF BOTTOM SHELF OVER OFFSETS OF FRONT & REAR BASES. FASTEN IN PLACE WITH #10-24 x 3/8" BOLTS & NUTS. TIGHTEN ALL FASTENERS. (3/4" FLANGE TO REAR)
- Fig. 4. STAND CABINET FRAME UPRIGHT. HOOK TOP REAR FLANGE OF DOOR FRAME OVER TOP CAP FRONT FLANGE. OPEN DOORS & FASTEN TO FACE OF CABINET WITH #10-24 x 3/8" BOLTS & NUTS.
- Fig. 5. INSTALL LOCKING & NON LOCKING HANDLES AS SHOWN. LOCKING HANDLE IS TO BE INSTALLED ON R.H. DOOR.
- Fig. 6. OPEN DOORS AND INSTALL INTERMEDIATE SHELVES. SEE Fig. 10. HOOK REAR FLANGE OF SHELF INTO LOUVERS ON BACK PANEL, PIVOT FRONT OF SHELF DOWNWARD UNTIL LEVEL, AND SNAP SHELF CLIPS THRU SLOTS IN END PANEL AT FRONT CORNERS.

EQUIPTO WARDROBE & COMBINATION CABINET ASSEMBLY INSTRUCTIONS

(SEE OPPOSITE SIDE FOR STORAGE CABINET ASSEMBLY INSTRUCTIONS)

#1712 & #1717 WARDROBE CABINET ASSEMBLY

1. ASSEMBLE CABINET FRAME AS SHOWN ON OPPOSITE SIDE OF THIS DRAWING.
2. BOLT HANGER BAR BRACKETS UNDER HAT SHELF AS SHOWN IN FIG. 7. USE #10-24 x 3/8" BOLTS & HEX NUTS.
3. SLIDE HANGER BAR PIPE THRU LARGE HOLES IN BRACKETS.
4. INSTALL SHELF ASSEMBLY INTO CABINET. SEE FIGS. 8 & 10.

#1714 & #1719 COMBINATION CABINET ASSEMBLY

1. ASSEMBLE CABINET FRAME WITH DOORS AS SHOWN ON OPPOSITE SIDE OF DRAWING.
2. FASTEN ONE (1) HANGER BAR BRACKET UNDER END OF SHELF WITH #10-24 x 3/8" TRUSS HEAD BOLTS & NUTS. INSTALL SHELF ASSEMBLY INTO CABINET AT LOCATION SHOWN IN FIG. 11.
3. FASTEN 2ND HANGER BAR BRACKET ON SIDE OF LOUVERED PARTITION. SEE FIG. 9. PLACE PARTITION INTO CABINET WITH HANGER BRACKETS FACING ONE ANOTHER. BOLT BOTTOM FLANGE OF PARTITION TO BOTTOM SHELF. SLIDE HANGER BAR INTO BRACKET AT END OF SHELF AND SWING TOP OF PARTITION INTO PLACE UNDER SHELF ALLOWING HANGER BAR TO ENTER BRACKET ON PARTITION. FASTEN TOP FLANGE OF PARTITION TO BOTTOM SURFACE OF TOP SHELF. SEE FIG. 9.
4. INSTALL SHELF CLIP INTO CORNER OF HALF SHELVES AND BEND TABS DOWNWARD. SEE FIG. 10. INSTALL HALF SHELVES INTO CABINET WITH REAR FLANGE IN LOUVER AT BACK AND SIDE FLANGE IN LOUVERS ON SIDE OF CENTER PARTITION. SNAP SHELF CLIP INTO SLOTS OF CABINET END PANEL AND DOOR FRAME. SEE FIGS. 10 & 11.

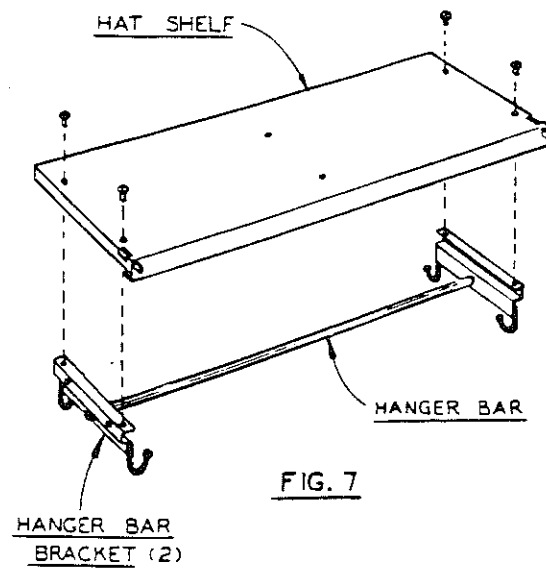


FIG. 7

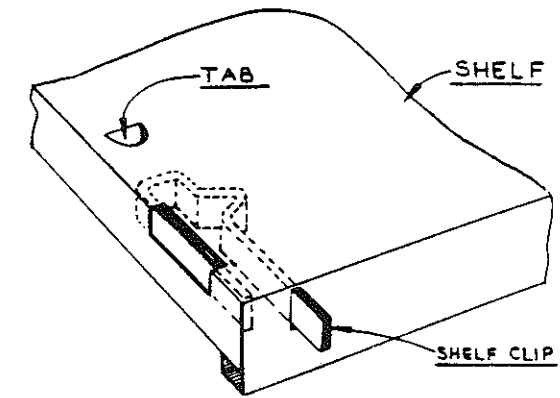


FIG. 10

WARDROBE CABINET

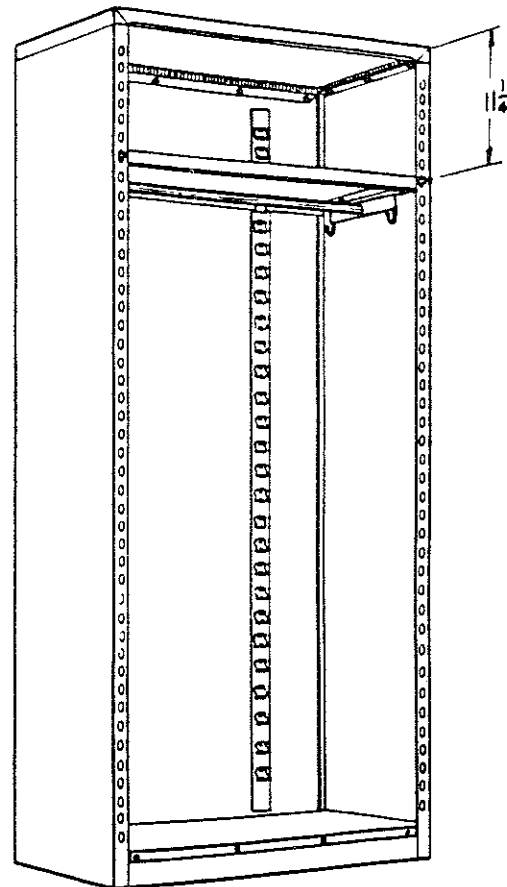


FIG. 8

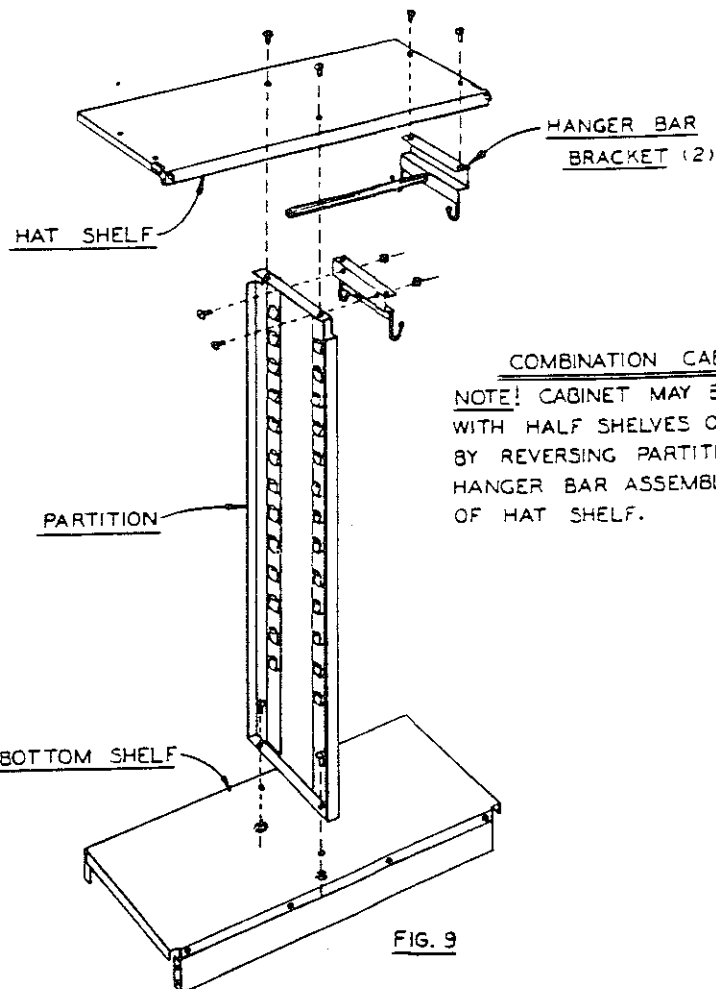


FIG. 9

COMBINATION CABINET

NOTE: CABINET MAY BE ASSEMBLED WITH HALF SHELVES ON OPPOSITE SIDE BY REVERSING PARTITION AND MOVING HANGER BAR ASSEMBLY TO OTHER END OF HAT SHELF.

COMBINATION CABINET

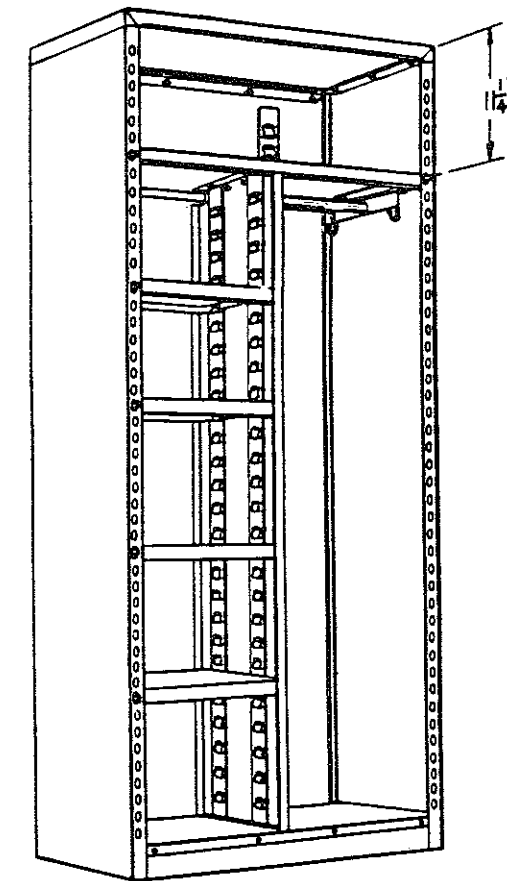


FIG. 11