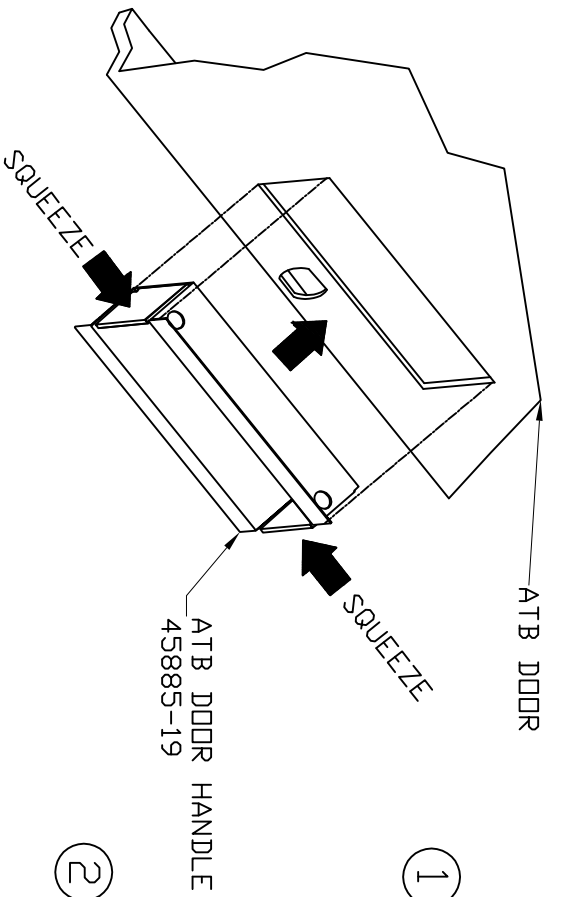


126ASY

EQUIPTO

TBU DOOR REPLACEMENT
Assembly Instructions

READ INSTRUCTIONS BEFORE ASSEMBLING

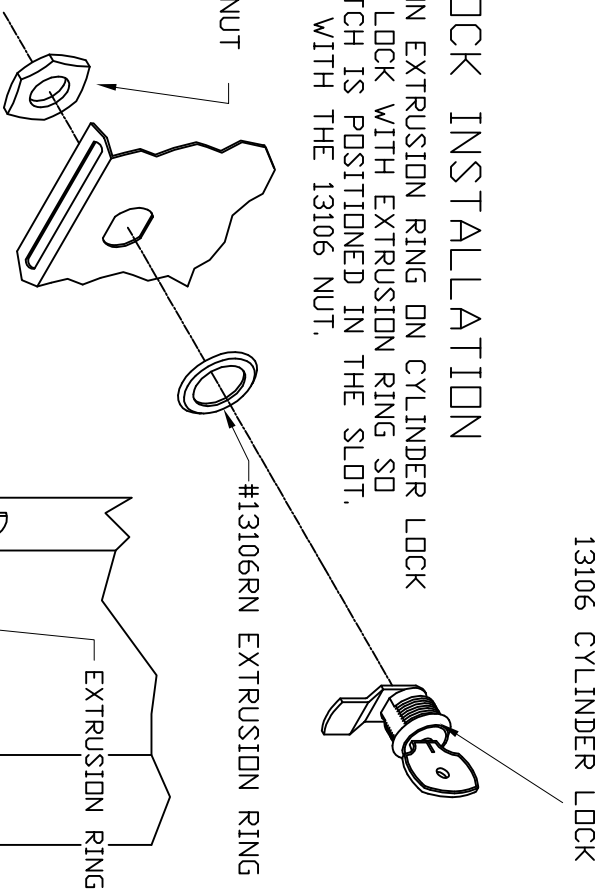


① INSTALLATION OF HANDLE.

- A. SQUEEZE BOTH SIDES AND INSERT HANDLE.
- B. ONCE INSERTED, SPREAD SIDES TO SECURE.
- C. TO REMOVE, REVERSES THE PROCESS.

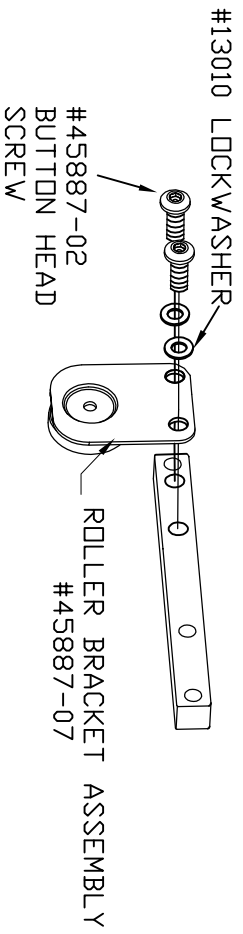
② ATB LOCK INSTALLATION

- A. POSITION EXTRUSION RING ON CYLINDER LOCK
- B. INSERT LOCK WITH EXTRUSION RING SO THE LATCH IS POSITIONED IN THE SLOT.
- C. SECURE WITH THE 13106 NUT.



③ ROLLER INSTALLATION

- A. ATTACH ROLLER BRACKET ASSEMBLY TO DDDR WITH (2) 1/4"-20 BH SCREWS AND LOCKWASHERS.



④ ATB DDDR INSTALLATION

- A. REMOVE THE FRONT NYLON STOPS.
- B. EXCHANGE THE TBU DDDR ASSEMBLY.
- C. REPLACE THE NYLON STOPS.

