

11110ASY

---

**EQUIPTO**

---

V-GRIP Shelving Asy.  
Instructions

**READ INSTRUCTIONS BEFORE ASSEMBLING**

# TABLE OF CONTENTS

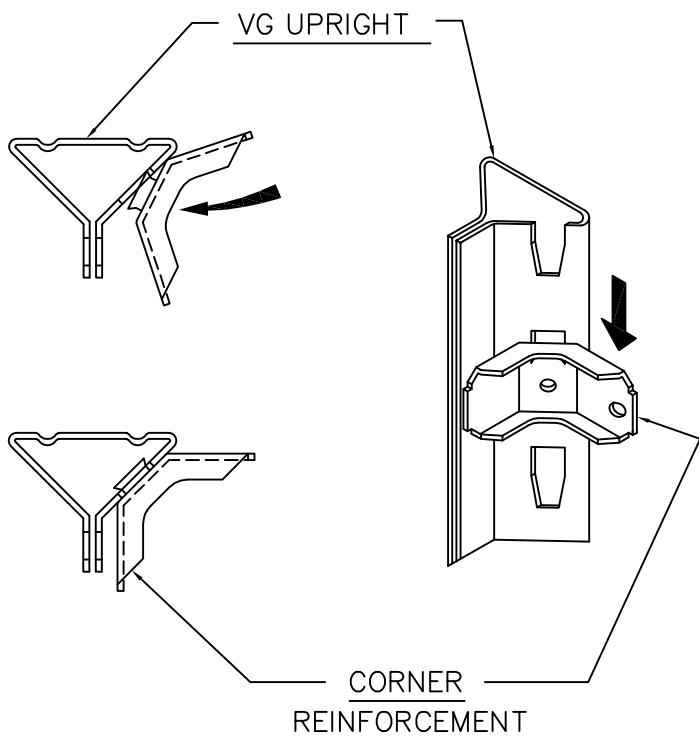
|  |    |
|--|----|
| A. <u>SHELF TYPES AND INSTALLATION</u> .....     | 3  |
| 1. <u>HEAVY DUTY SHELF INSTALLATION</u> .....    | 3  |
| a. CORNER REINFORCEMENT INSTALLATION .....       | 3  |
| b. HEAVY DUTY SHELF INSTALLATION .....           | 3  |
| 2. <u>REINFORCED SHELF INSTALLATION</u> .....    | 4  |
| a. FRONT AND REAR REINFORCEMENTS .....           | 4  |
| b. END REINFORCEMENTS .....                      | 4  |
| c. CENTER REINFORCEMENT .....                    | 5  |
| 3. <u>DOUBLE ENTRY SHELF INSTALLATION</u> .....  | 5  |
| B. <u>SHELVING TYPES AND INSTALLATION</u> .....  | 6  |
| 1. <u>OPEN TYPE SHELVING</u> .....               | 6  |
| a. END FRAME ASSEMBLY .....                      | 6  |
| b. BOTTOM SHELF INSTALLATION .....               | 6  |
| c. SWAY BRACE INSTALLATION .....                 | 7  |
| d. TOP SHELF INSTALLATION .....                  | 7  |
| e. BACK TO BACK ASSEMBLY .....                   | 8  |
| f. END TO END ASSEMBLY .....                     | 8  |
| 2. <u>CLOSED TYPE SHELVING</u> .....             | 9  |
| a. END FRAME ASSEMBLY .....                      | 9  |
| b. TOP AND BOTTOM SHELVES INSTALLATION .....     | 9  |
| c. BACK PANEL ASSEMBLY .....                     | 10 |
| d. INTERMEDIATE SHELVES INSTALLATION .....       | 11 |
| e. BACK TO BACK ASSEMBLY .....                   | 11 |
| C. <u>OPTIONAL ACCESSORIES</u> .....             | 12 |
| 1. BASE ASSEMBLY .....                           | 12 |
| 2. BIN FRONT ASSEMBLY .....                      | 12 |
| 3. DIVIDER ASSEMBLY .....                        | 13 |
| 4. LABELHOLDER ASSEMBLY .....                    | 14 |
| 5. FOOT PLATE INSTALLATION .....                 | 15 |
| 6. FLOOR ANCHOR INSTALLATION .....               | 15 |
| 7. SPLICER INSTALLATION .....                    | 15 |
| 8. UPRIGHT CAP AND LEVELER .....                 | 16 |
| 9. WALL SEPARATOR BAR ASSEMBLY .....             | 16 |
| 10. UNIT SEPARATOR BAR ASSEMBLY .....            | 16 |
| 11. SEISMIC ACCESSORIES .....                    | 17 |
| a. SEISMIC BACK PANEL INSTALLATION .....         | 17 |
| b. SHELF LOCKING CLIP INSTALLATION .....         | 18 |
| c. SEISMIC END SWAY BRACE INSTALLATION .....     | 18 |
| d. SEISMIC BACK BRACE INSTALLATION .....         | 19 |
| e. SEISMIC FLOOR ANCHOR ASS'Y INSTALLATION ..... | 20 |
| f. SEISMIC V-GRIP SPLICER INSTALLATION .....     | 20 |
| 12. V-GRIP BIN UNITS .....                       | 21 |

A

# SHELF TYPES AND INSTALLATION

## 1. HEAVY DUTY SHELF INSTALLATION

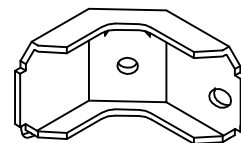
### a. CORNER REINFORCEMENT INSTALLATION



NOTE

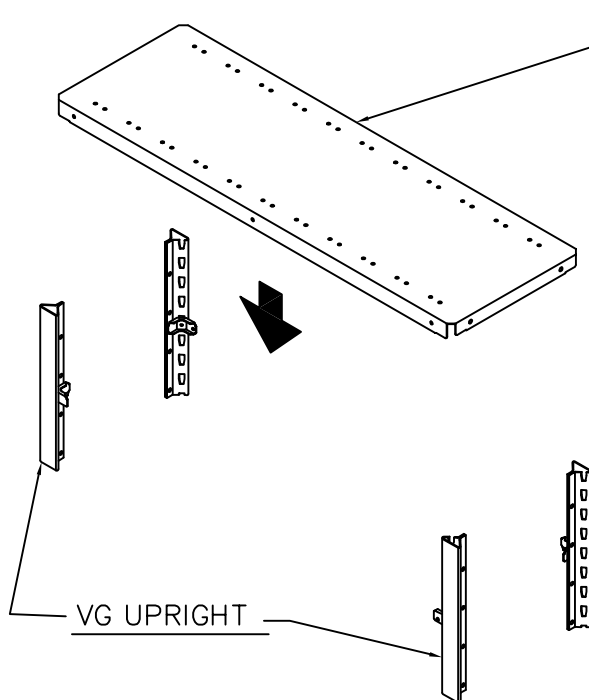
INSERT CORNER REINFORCEMENT INTO EACH UPRIGHT AT THE SAME LEVEL. PRESS CORNER REINFORCEMENT DOWN UNTIL IT IS LOCKED IN PLACE.

#7680 CORNER REINFORCEMENT



4 PER SHELF

### b. HEAVY DUTY SHELF INSTALLATION



HEAVY DUTY SHELF

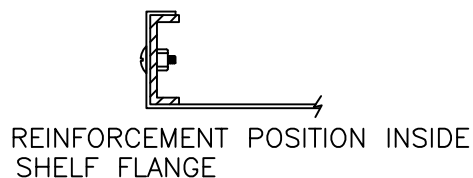
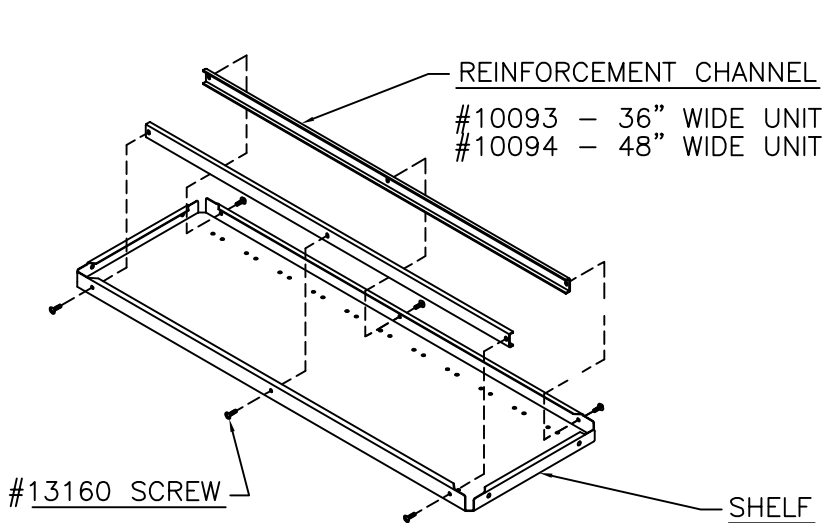
- #6230 - 12" DEEP x 36" WIDE
- #6231 - 18" DEEP x 36" WIDE
- #6232 - 24" DEEP x 36" WIDE
- #6234 - 36" DEEP x 36" WIDE
- #6250 - 12" DEEP x 42" WIDE
- #6251 - 18" DEEP x 42" WIDE
- #6252 - 24" DEEP x 42" WIDE
- #6240 - 12" DEEP x 48" WIDE
- #6241 - 18" DEEP x 48" WIDE
- #6242 - 24" DEEP x 48" WIDE

NOTE

POSITION SHELF BETWEEN FOUR UPRIGHTS AND OVER CORNER REINFORCEMENTS. PUSH DOWNWARD ON EACH OF FOUR CORNERS OF SHELF TO SEAT PROPERLY.

## 2. REINFORCED SHELF INSTALLATION

### a. FRONT AND REAR REINFORCEMENTS

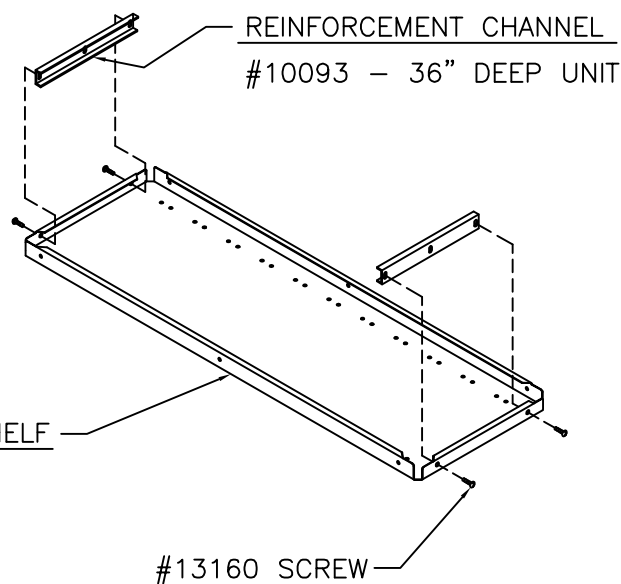
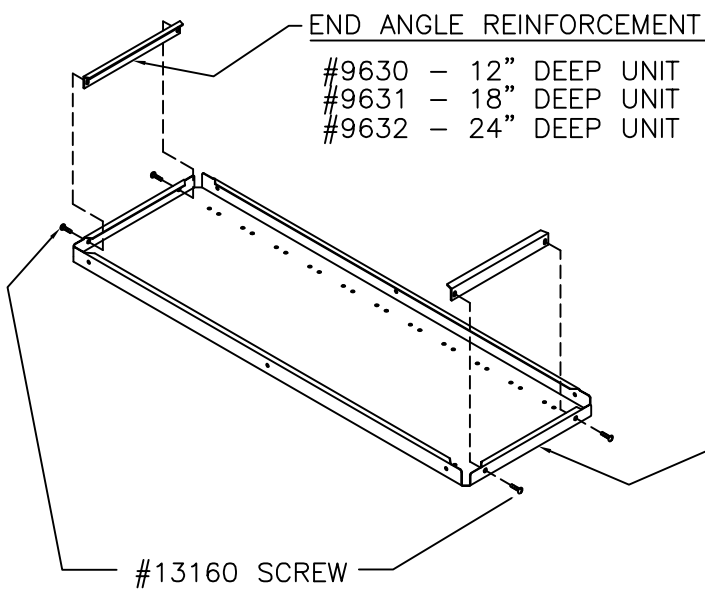


#13160 PHILIPS HEAD SCREW  
#10-24 X 3/8"

#13061 #10-24 HEX NUT  
(3 PER REINFORCEMENT)

FULL SCALE

### b. END REINFORCEMENTS



NOTE

END ANGLE POSITION WHEN CENTER REINFORCEMENT IS TO BE USED.



NOTE

END ANGLE POSITION WHEN CENTER REINFORCEMENT IS NOT TO BE USED.

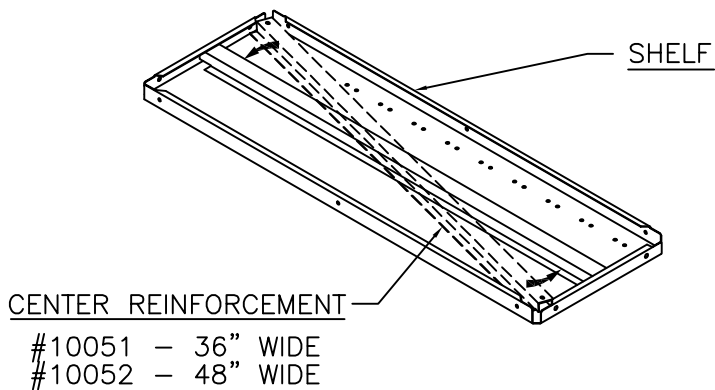


#13160 PHILIPS HEAD SCREW  
#10-24 X 3/8"

#13061 #10-24 HEX NUT  
(2 PER REINFORCEMENT)

FULL SCALE

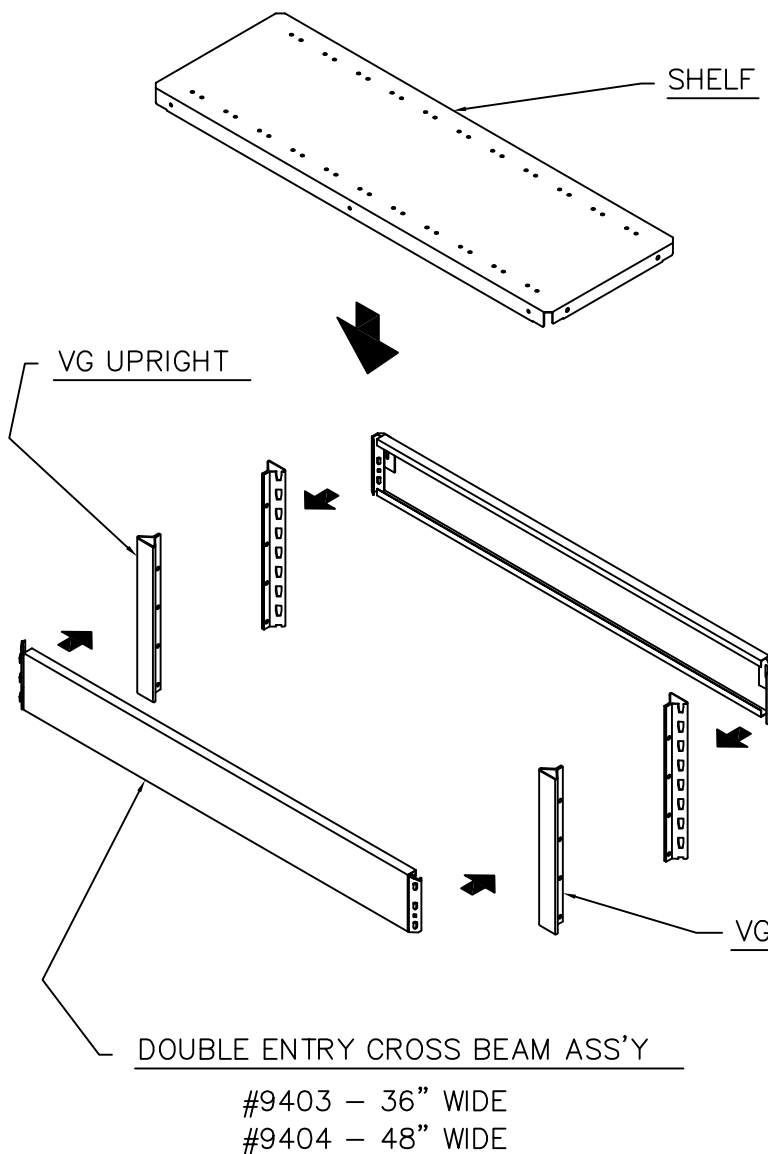
### c. CENTER REINFORCEMENT



#### NOTE

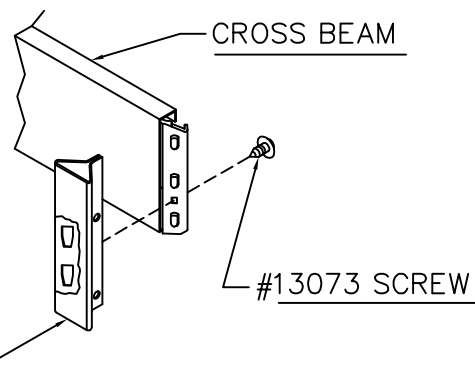
CHANNEL IS ROTATED INTO PLACE AS SHOWN. POSITION THE CHANNEL IN THE MIDDLE OF THE SHELF. NO HARDWARE IS NECESSARY AT THIS POINT.

## 3. DOUBLE ENTRY SHELF INSTALLATION



#### NOTE

POSITION CROSS BEAM INSIDE POSTS. PULL CROSS BEAM FORWARD UNTIL LANCING ON ENDS ENGAGE SLOTS IN UPRIGHTS. PUSH DOWNWARD AND SECURE CROSS BEAM IN PLACE WITH #13073 SCREW. PLACE SHELF ON TOP OF BEAMS. CORNER REINFORCEMENTS AND BACK SWAY BRACES ARE NOT REQUIRED WITH DOUBLE ENTRY SHELVING.



#13073 GIMLET PT SHEET MET SCREW  
1/4"-14 X 3/8"  
(2 PER CROSS BEAM)



FULL SCALE

# B SHELVING TYPES AND INSTALLATION

## 1. OPEN TYPE SHELVING

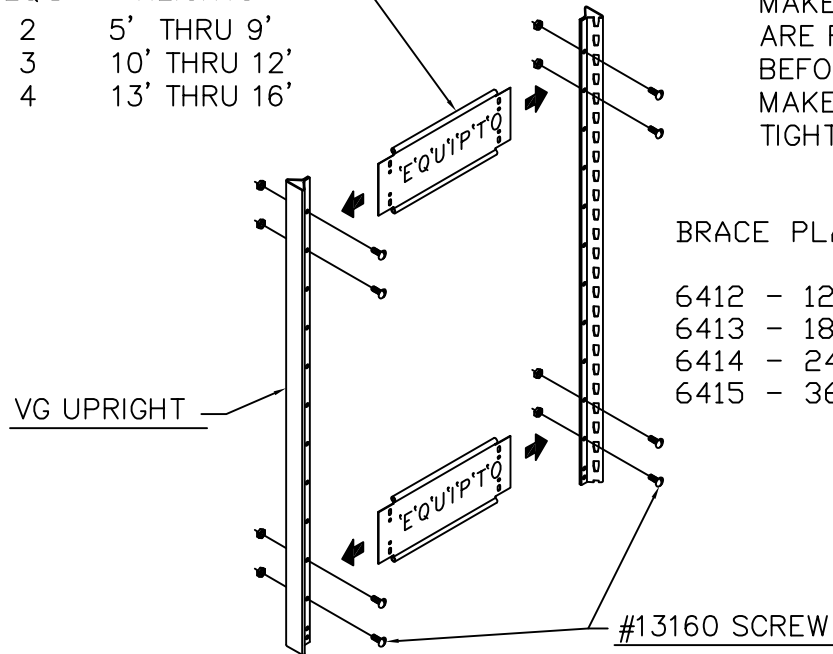
### a. END FRAME ASSEMBLY

### NOTE

INSERT BRACE PLATE BETWEEN FLANGES OF THE UPRIGHTS AND FASTEN AS SHOWN. MAKE CERTAIN SLOTS IN BOTH UPRIGHTS ARE FACING IN THE SAME DIRECTION BEFORE BOLTING. (SEE SLOT BELLOW) MAKE TWO END FRAME ASSEMBLIES. TIGHTEN SCREWS SECURELY.

#### END BRACE PLATES

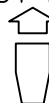
| REQ'D | HEIGHTS      |
|-------|--------------|
| 2     | 5' THRU 9'   |
| 3     | 10' THRU 12' |
| 4     | 13' THRU 16' |



#### BRACE PLATES:

|      |       |
|------|-------|
| 6412 | - 12" |
| 6413 | - 18" |
| 6414 | - 24" |
| 6415 | - 36" |

#### SLOT TOP



#13160 PHILIPS HEAD SCREW  
#10-24 X 3/8"  
#13061 #10-24 HEX NUT  
(4 PER END BRACE)



FULL SCALE

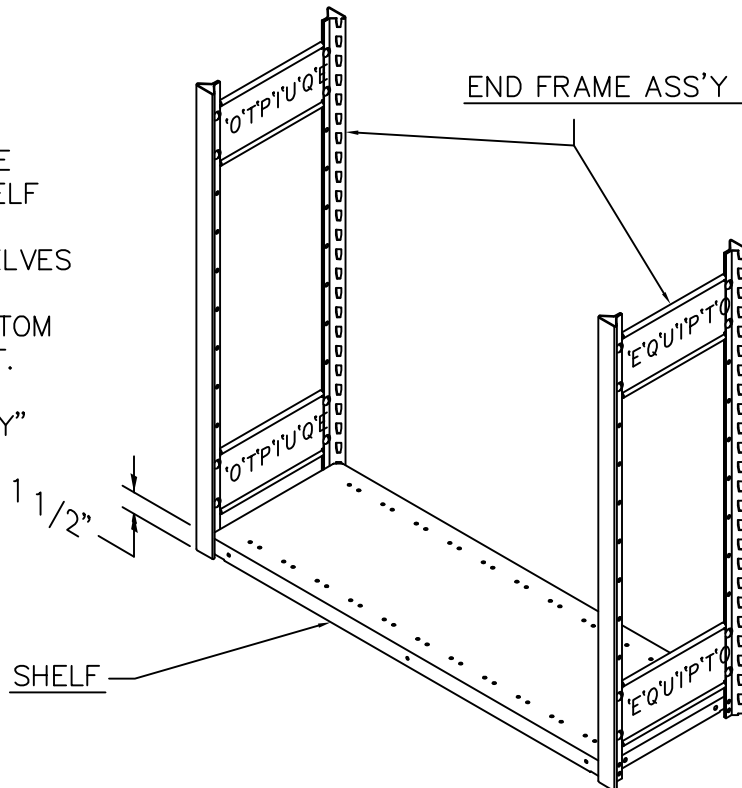
### b. BOTTOM SHELF INSTALLATION

### NOTE

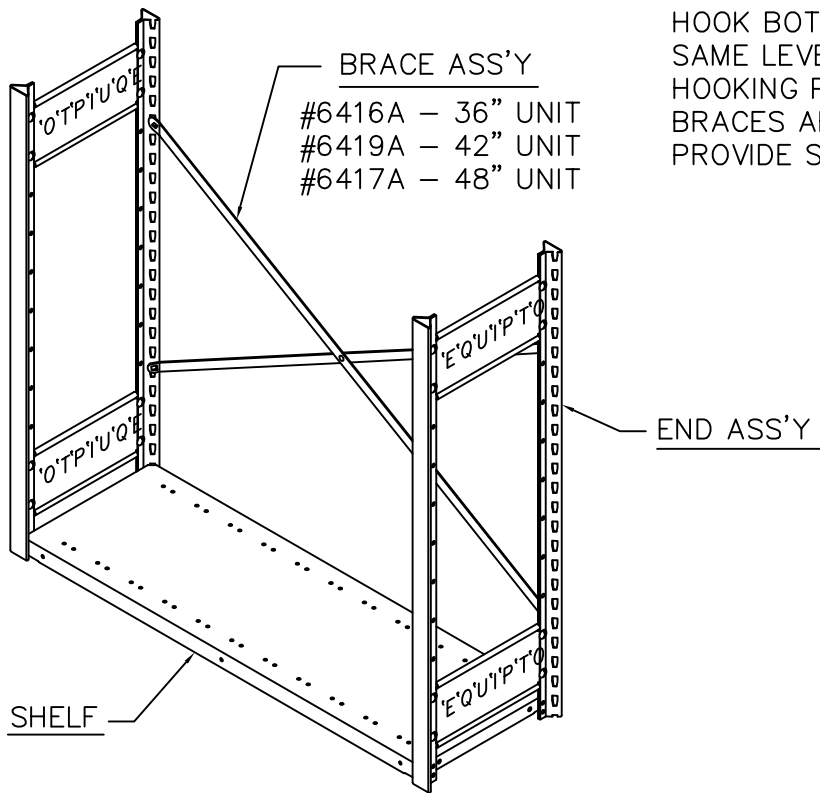
START BUILDING THE UNIT BY INSTALLING FIRST SHELF AT THE BOTTOM OF END FRAME ASSEMBLIES. SEE PAGES 3 THRU 6 FOR SHELF TYPES AND INSTALLATION. IF YOU HAVE REINFORCEMENTS FASTEN THEM IN THE SHELVES BEFORE INSTALLING SHELVES INTO UNITS. IF NO BASE HAS TO BE INSTALLED THE BOTTOM SHELF WILL BE INSTALLED AT 1 1/2" HEIGHT. IF BASE ASS'Y HAS TO BE INSTALLED SEE "OPTIONAL ACCESSORIES - BASE ASSEMBLY"

#### UPRIGHTS:

|          |          |
|----------|----------|
| 5003-3'  | 5009-9'  |
| 5035-42" | 5010-10' |
| 5004-4'  | 5012-12' |
| 5005-5'  | 5015-15' |
| 5006-6'  | 5022-78" |
| 5007-7'  | 5023-90" |
| 5008-8'  |          |

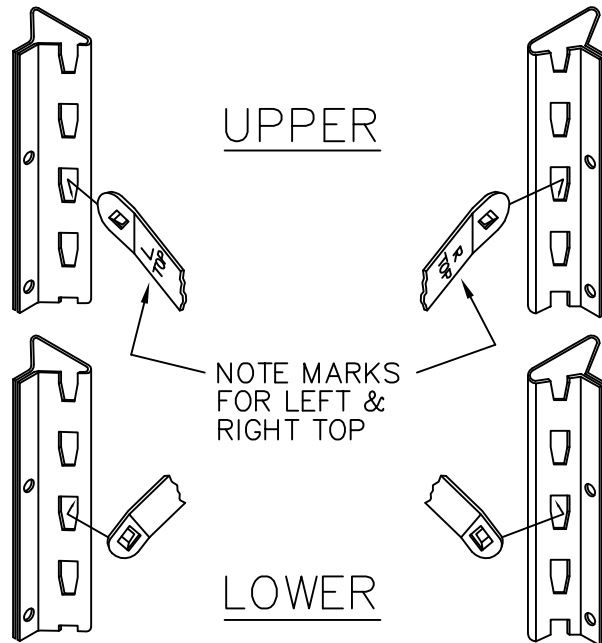


### c. SWAY BRACE INSTALLATION

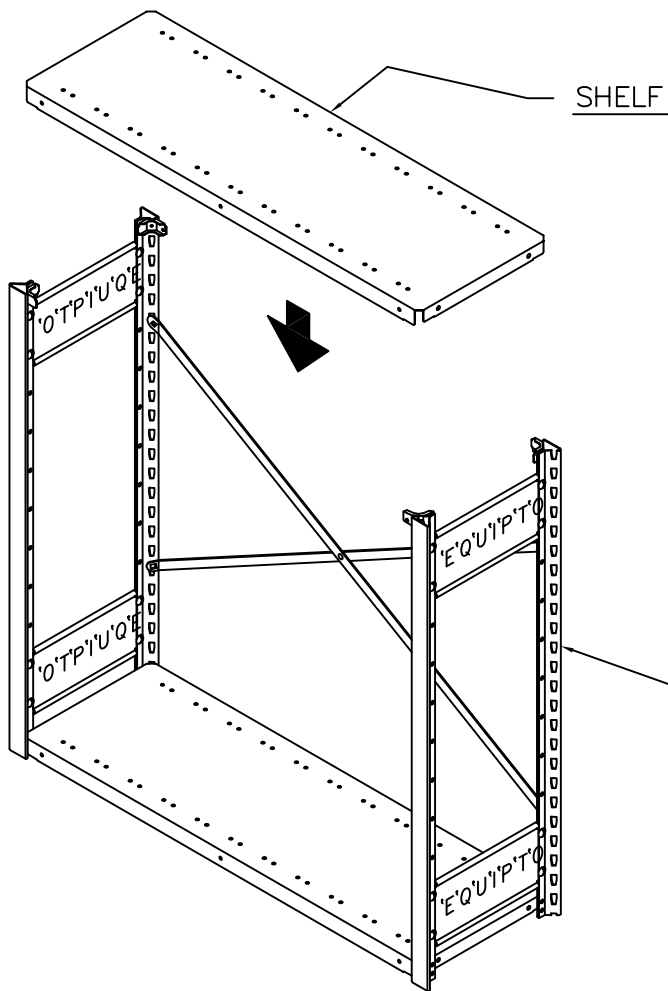


### NOTE

HOOK BOTTOM ENDS OF BRACE INTO SLOTS AT THE SAME LEVEL OF BOTH REAR UPRIGHTS. REPEAT THIS HOOKING PROCEDURE WITH THE TOP ENDS OF BRACE. BRACES ARE USED WITH OPEN TYPE SHELVING TO PROVIDE STABILITY OF THE UNIT.



### d. TOP SHELF INSTALLATION



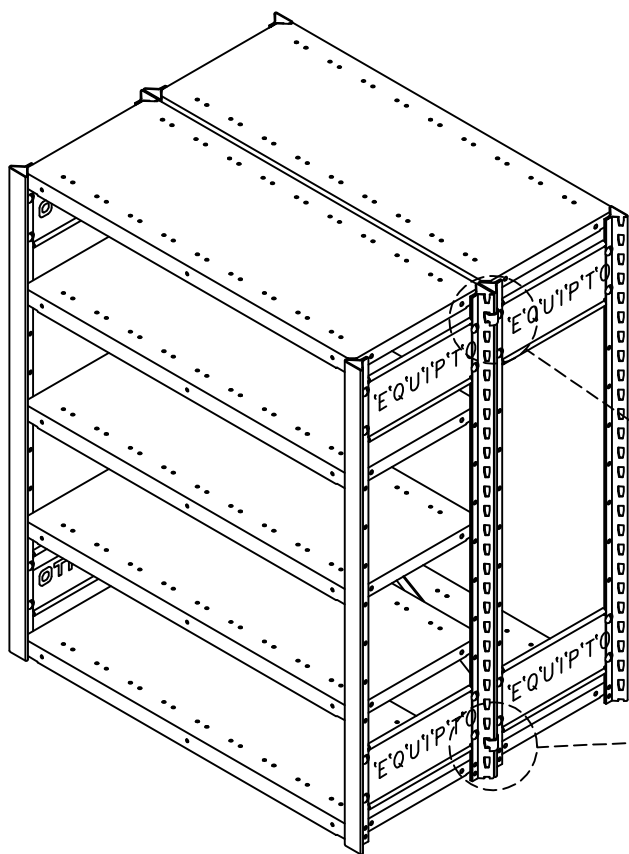
### NOTE

POSITION TOP SHELF BETWEEN UPRIGHTS AND CORNER REINFORCEMENTS. PUSH DOWNWARD ON EACH OF FOUR CORNERS OF SHELF TO SEAT PROPERLY. COMPLETE UNIT ASSEMBLY BY INSTALLING REMAINING SHELVES.

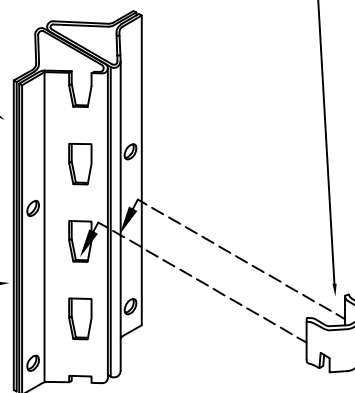
### e. BACK TO BACK ASSEMBLY

#### NOTE

BACK TO BACK SHELVING ASSEMBLY HAS COMMON BACK SWAY BRACES. ASSEMBLE UNIT WITH TOP AND BOTTOM SHELVES ONLY. STAND THIS PARTIALLY ASSEMBLED UNIT UP AGAINST REAR OF COMPLETED UNIT AND FASTEN THE UPRIGHTS TOGETHER, BACK TO BACK WITH #10381 CLAMP AS SHOWN. ASSEMBLE REMAINING SHELVES IN UNIT.



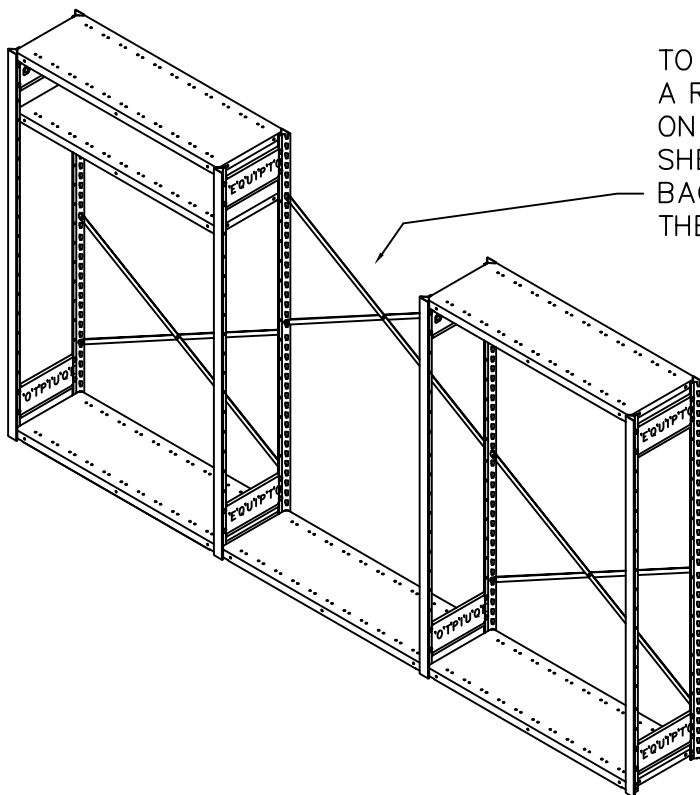
#10381 COMMON UPRIGHT CLAMP



### f. END TO END ASSEMBLY

#### NOTE

TO ADD ADDITIONAL SHELVING UNITS IN A ROW, INSERT CORNER REINFORCEMENTS ON THE OPPOSITE SIDE OF THE EXISTING SHELVING UPRIGHTS AND REPEAT ASSEMBLY. BACK SWAY BRACES ARE STAGGERED ON THE END TO END UNITS FOR SUPPORT.



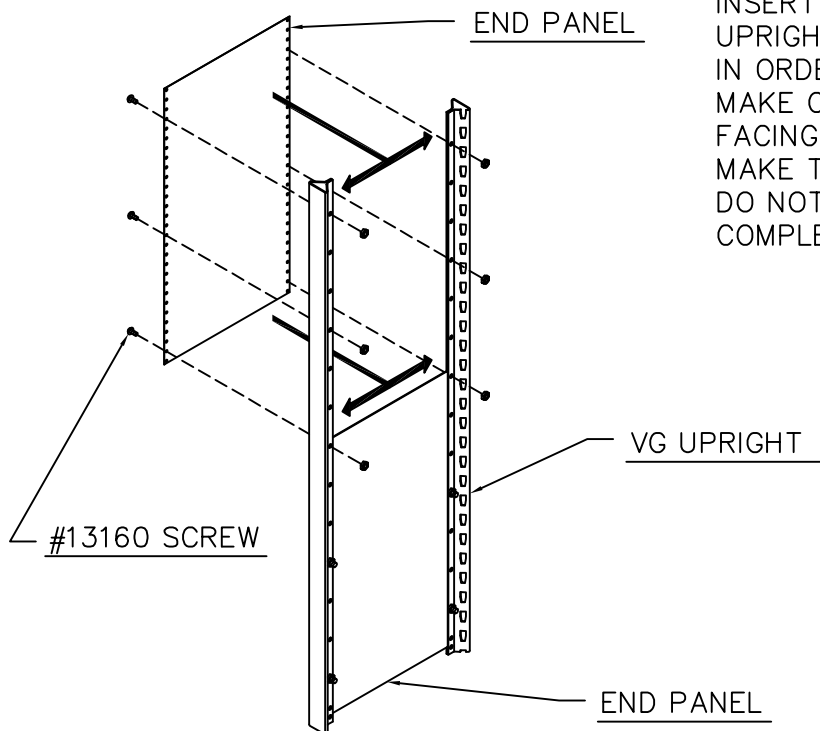


## 2. CLOSED TYPE SHELVING

### a. END FRAME ASSEMBLY

### NOTE

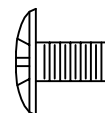
INSERT END PANELS BETWEEN FLANGES OF THE UPRIGHTS AS SHOWN. END PANELS WILL OVERLAP IN ORDER TO FIT THE HEIGHT OF THE UNIT. MAKE CERTAIN SLOTS IN BOTH UPRIGHTS ARE FACING IN THE SAME DIRECTION BEFORE BOLTING. MAKE TWO END FRAME ASSEMBLIES. DO NOT TIGHTEN BOLTS UNTIL EACH UNIT IS COMPLETELY ASSEMBLED.



SLOT TOP



#13160 PHILIPS HEAD SCREW  
#10-24 X 3/8"  
#13061 #10-24 HEX NUT  
(5 PER END PANEL)

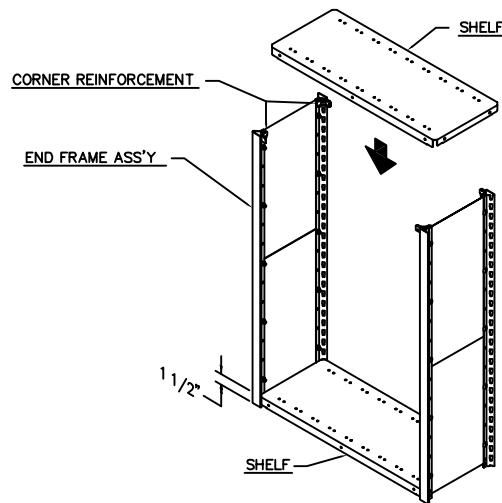


FULL SCALE

### b. TOP AND BOTTOM SHELVES INSTALLATION

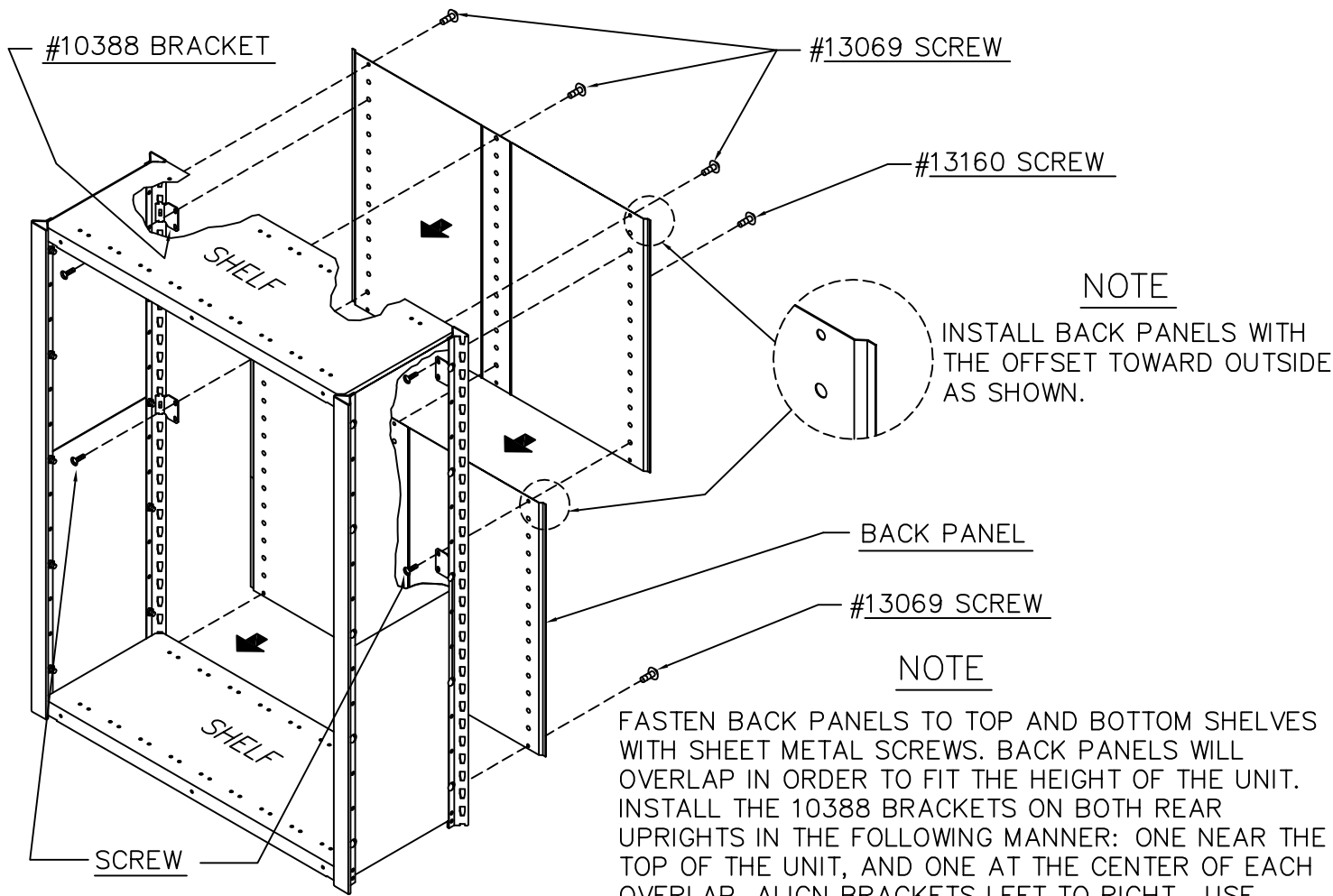
### NOTE

START BUILDING THE UNIT BY INSTALLING THE BOTTOM AND THE TOP SHELVES TO TWO END FRAME ASSEMBLIES. SEE PAGES 1 THRU 6 FOR SHELF TYPES AND INSTALLATION. IF SHELF REINFORCEMENTS HAVE TO BE INSTALLED, FASTEN THEM IN THE SHELVES BEFORE INSTALLING SHELVES INTO UNITS. IF NO BASE IS TO BE INSTALLED, THE BOTTOM SHELF WILL BE INSTALLED AT 1 1/2" HEIGHT. IF BASE ASS'Y HAS TO BE INSTALLED SEE "OPTIONAL ACCESSORIES-BASE ASSEMBLY"



|           | END PANELS |        |        |        | BACK PANELS |        |        |
|-----------|------------|--------|--------|--------|-------------|--------|--------|
| DEPTH     | 12"        | 18"    | 24"    | 36"    | 36"         | 42"    | 48"    |
| HEIGHT    |            |        |        |        |             |        |        |
| UP TO 7'  | 6796-2     | 6797-2 | 6798-2 | 6800-2 | 7588-2      | 7585-2 | 7589-2 |
| 8' TO 10' | 6796-3     | 6797-3 | 6798-3 | 6800-3 | 7588-3      | 7585-3 | 7589-3 |
| 12'       | 6796-4     | 6797-4 | 6798-4 | 6800-4 | 7588-4      | 7585-4 | 7589-4 |
| 15'       | 6796-5     | 6797-5 | 6798-5 | 6800-5 | 7588-5      | 7585-5 | 7589-5 |

# c. BACK PANEL ASSEMBLY



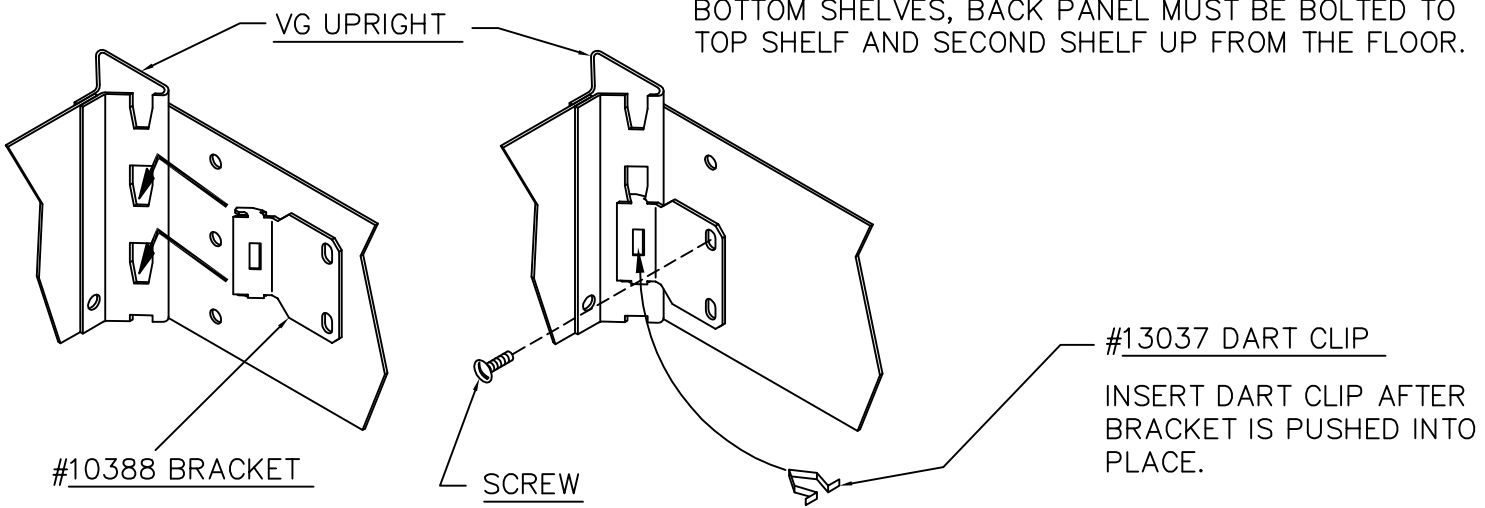
**NOTE**

INSTALL BACK PANELS WITH THE OFFSET TOWARD OUTSIDE AS SHOWN.

**NOTE**

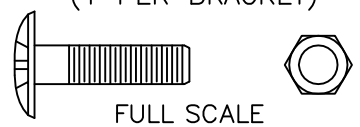
FASTEN BACK PANELS TO TOP AND BOTTOM SHELVES WITH SHEET METAL SCREWS. BACK PANELS WILL OVERLAP IN ORDER TO FIT THE HEIGHT OF THE UNIT. INSTALL THE 10388 BRACKETS ON BOTH REAR UPRIGHTS IN THE FOLLOWING MANNER: ONE NEAR THE TOP OF THE UNIT, AND ONE AT THE CENTER OF EACH OVERLAP. ALIGN BRACKETS LEFT TO RIGHT. USE SCREWS TO FASTEN PANELS TO BRACKETS (SEE BELOW). IF REINFORCEMENT CHANNELS ARE TO BE INSTALLED IN THE REAR FLANGE OF THE TOP AND BOTTOM SHELVES, BACK PANEL MUST BE BOLTED TO TOP SHELF AND SECOND SHELF UP FROM THE FLOOR.

NOTE: USE 13139 SCREW FOR BACK TO BACK UNITS. USE 13160 SCREW FOR STAND ALONE UNITS.



INSERT DART CLIP AFTER BRACKET IS PUSHED INTO PLACE.

#13139 PHILIPS HEAD SCREW  
#10-24 X 3/4"  
#13061 #10-24 HEX NUT  
(1 PER BRACKET)



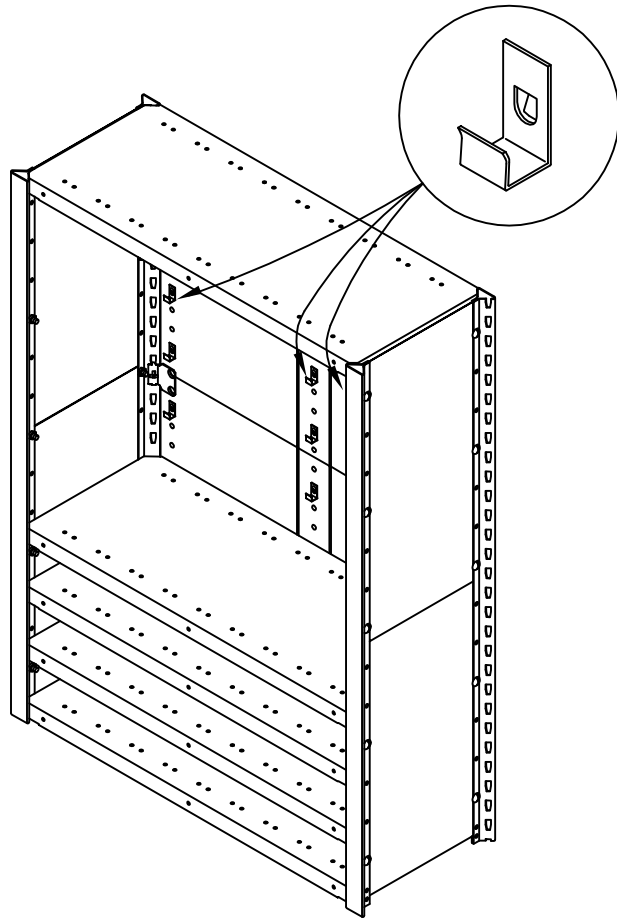
#13160 PHILIPS HEAD SCREW  
#10-24 X 3/8"  
#13061 #10-24 HEX NUT  
(1 PER PAIR OF PANELS)



#13069 BLUNT TAP SH MET SCREW  
1/4"-14 X 3/8"  
(3 PER SHELF)



### d. INTERMEDIATE SHELVES INSTALLATION

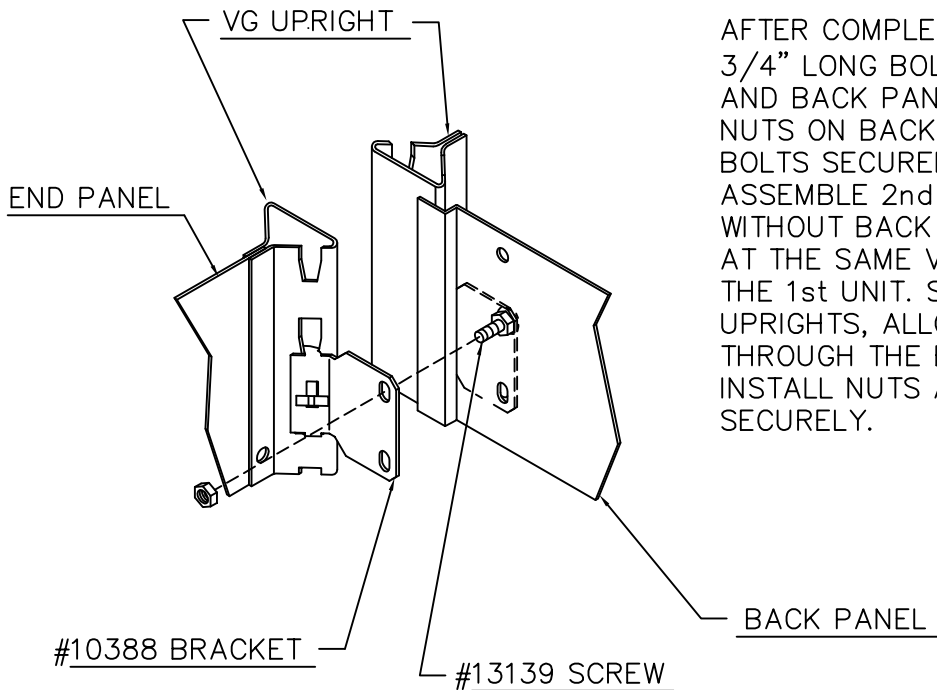


#10332 BACK PANEL CLIP

#### NOTE

POSITION PANEL CLIPS ON THE BACK PANEL AT PREDETERMINED SHELF SPACING. THREE PANEL CLIPS ARE FURNISHED FOR EACH INTERMEDIATE SHELF IN THE UNIT. COMPLETE THE UNIT BY INSERTING CORNER REINFORCEMENTS AND INSTALLING THE REMAINING SHELVES. TIGHTEN ALL BOLTS SECURELY.

### e. BACK TO BACK ASSEMBLY



#### NOTE

AFTER COMPLETING 1st SHELVING UNIT, INSERT 3/4" LONG BOLTS THROUGH THE PANEL BRACKETS AND BACK PANEL FROM INSIDE UNIT, AND INSTALL NUTS ON BACK SIDE OF PANEL. TIGHTEN ALL BOLTS SECURELY.

ASSEMBLE 2nd COMPLETE SHELVING UNIT BUT WITHOUT BACK PANEL. INSTALL PANEL BRACKETS AT THE SAME VERTICAL LOCATIONS AS THOSE IN THE 1st UNIT. SLIDE 2nd UNIT AGAINST 1st UNIT UPRIGHTS, ALLOWING PROTRUDING BOLTS TO PASS THROUGH THE BRACKETS ON THE 2nd UNIT. INSTALL NUTS AT ALL LOCATIONS AND TIGHTEN SECURELY.

#13139 PHILIPS HEAD SCREW  
#10-24 X 3/4"

#13061 #10-24 HEX NUT

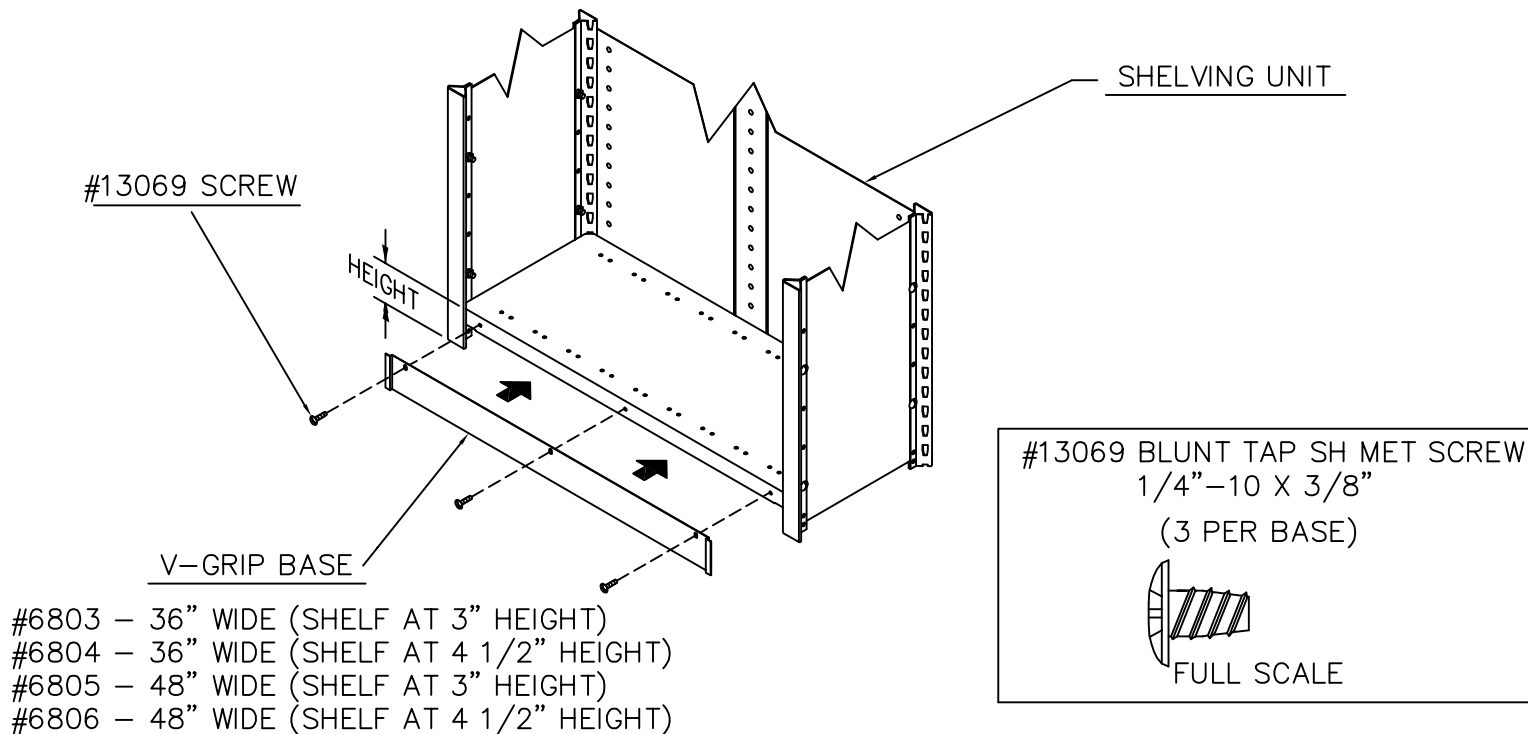
(1 SCREW PER BRACKET)  
(2 NUTS PER SCREW)



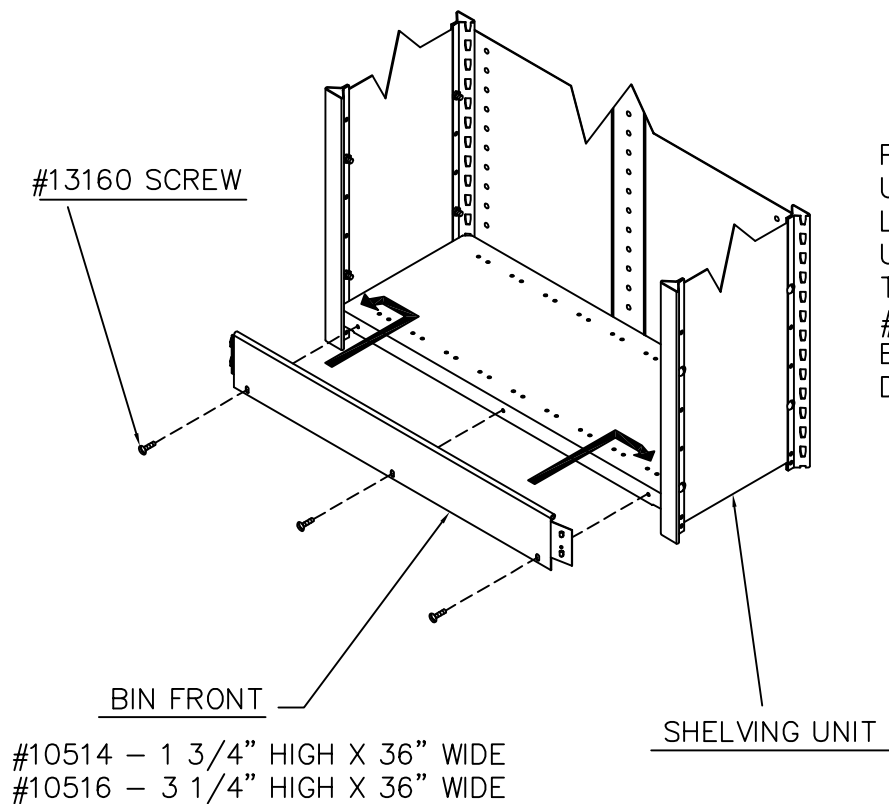
FULL SCALE

# C OPTIONAL ACCESSORIES

## 1. BASE ASSEMBLY



## 2. BIN FRONT ASSEMBLY



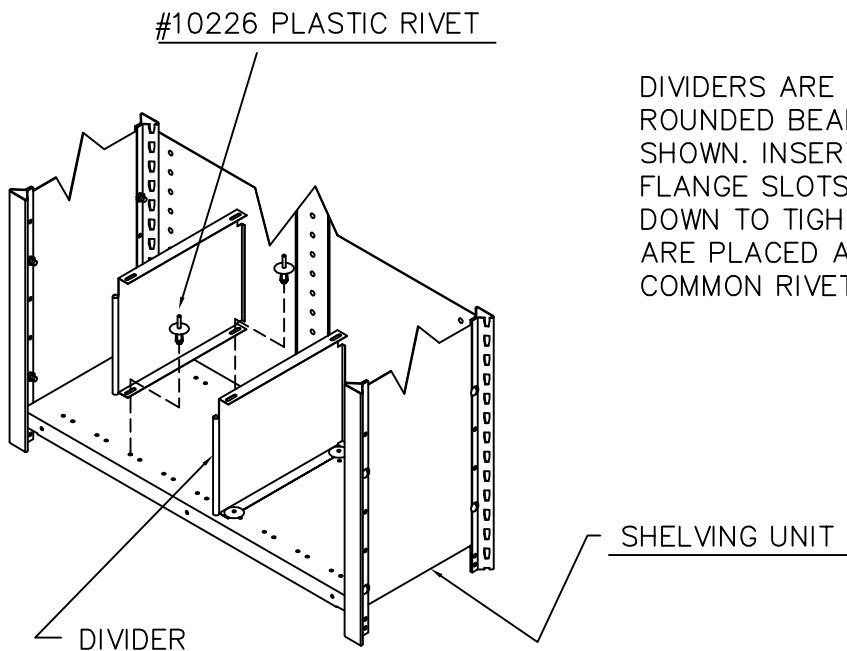
### NOTE

POSITION BIN FRONT INSIDE SHELVING UNIT. PULL BIN FRONT FORWARD UNTIL LANCING ON ENDS ENGAGE SLOTS IN UPRIGHTS. PUSH DOWNWARD AND FASTEN TO FRONT FLANGES ON SHELF WITH #13160 SCREWS AS SHOWN. BIN FRONTS MUST BE IN PLACE BEFORE DIVIDERS ARE INSTALLED.

- #13160 PHILIPS HEAD SCREW  
#10-24 X 3/8"
- #13061 #10-24 HEX NUT  
(3 PER BIN FRONT)

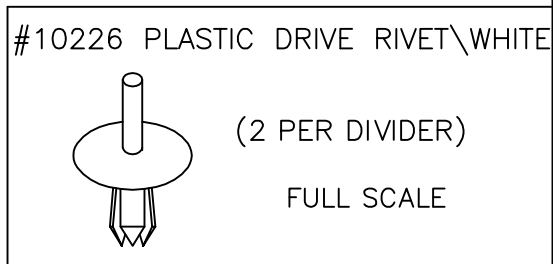


### 3. DIVIDER ASSEMBLY



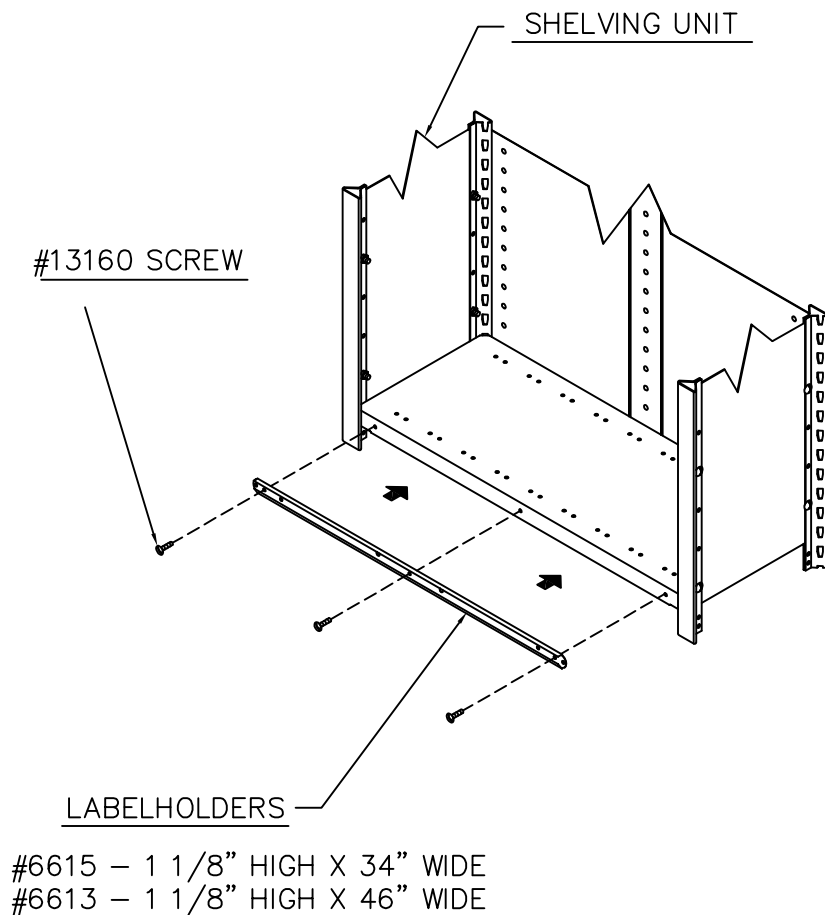
#### NOTE

DIVIDERS ARE POSITIONED ON THE SHELF WITH ROUNDED BEAD TO OPEN FRONT OF UNIT AS SHOWN. INSERT #10266 PLASTIC RIVET INTO THE FLANGE SLOTS AND PRESS STEM ALL THE WAY DOWN TO TIGHTEN THE ASSEMBLY. IF DIVIDERS ARE PLACED ABOVE ONE ANOTHER THEY USE COMMON RIVETS.




| DIVIDER | SHELF OPENING(IN) | ACTUAL HEIGHT(IN) | DEPTH(IN) | DIVIDER | SHELF OPENING(IN) | ACTUAL HEIGHT(IN) | DEPTH(IN) |
|---------|-------------------|-------------------|-----------|---------|-------------------|-------------------|-----------|
| 8018    | 3.0               | 4.438             | 12.0      | 8095    | 6.0               | 7.438             | 18.0      |
| 8019    | 4.5               | 5.938             | 12.0      | 8096    | 7.5               | 8.938             | 18.0      |
| 8020    | 6.0               | 7.438             | 12.0      | 8097    | 9.0               | 10.438            | 18.0      |
| 8021    | 7.5               | 8.938             | 12.0      | 8098    | 10.5              | 11.938            | 18.0      |
| 8022    | 9.0               | 10.438            | 12.0      | 8099    | 12.0              | 13.438            | 18.0      |
| 8023    | 10.5              | 11.938            | 12.0      | 8119    | 4.5               | 5.938             | 24.0      |
| 8024    | 12.0              | 13.438            | 12.0      | 8120    | 6.0               | 7.438             | 24.0      |
| 8090    | 3.0               | 4.438             | 18.0      | 8121    | 7.5               | 8.938             | 24.0      |
| 8091    | 15.0              | 16.438            | 18.0      | 8122    | 9.0               | 10.438            | 24.0      |
| 8092    | 16.5              | 17.938            | 18.0      | 8123    | 10.5              | 11.938            | 24.0      |
| 8094    | 4.5               | 5.938             | 18.0      | 8124    | 12.0              | 13.438            | 24.0      |
|         |                   |                   |           | 8125    | 13.5              | 14.938            | 24.0      |

# 4. LABELHOLDER ASSEMBLY



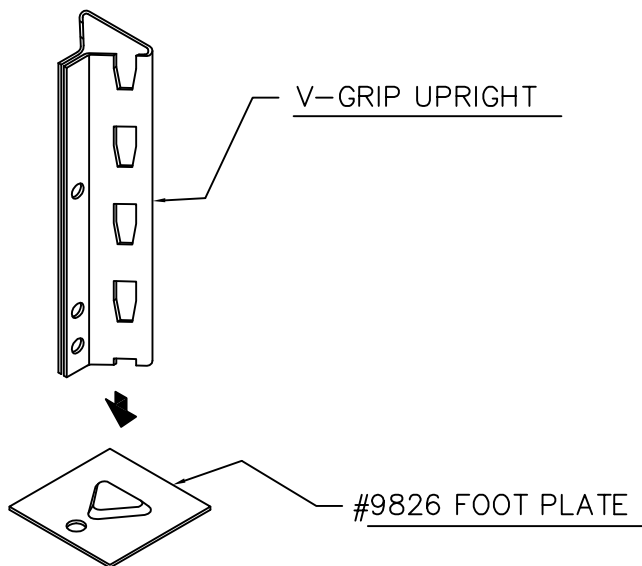
#13160 PHILIPS HEAD SCREW  
#10-24 X 3/8"

#13061 #10-24 HEX NUT  
(3 PER LABELHOLDER)



FULL SCALE

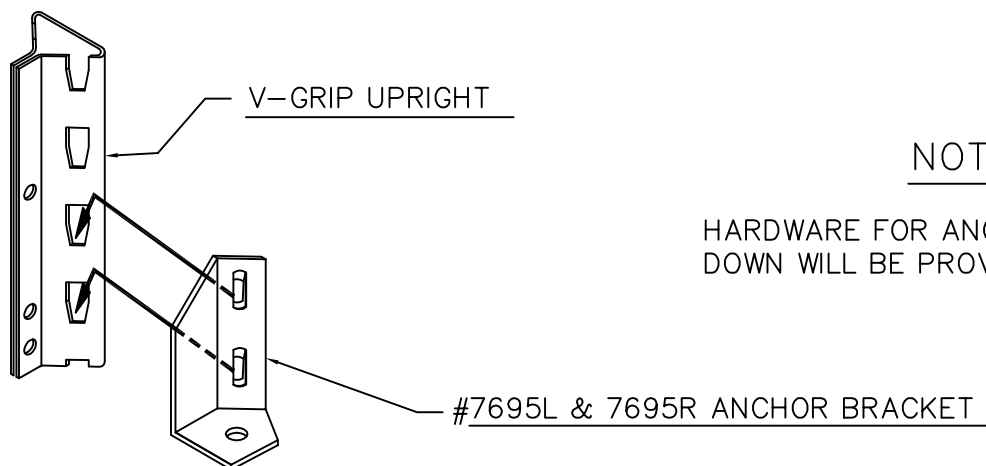
## 5. FOOT PLATE INSTALLATION



### NOTE

THIS FLOOR PLATE IS USED UNDER EACH V - GRIP UPRIGHT FOR EXTRA PROTECTION TO LINOLEUM OR FINE WOOD FLOORS.

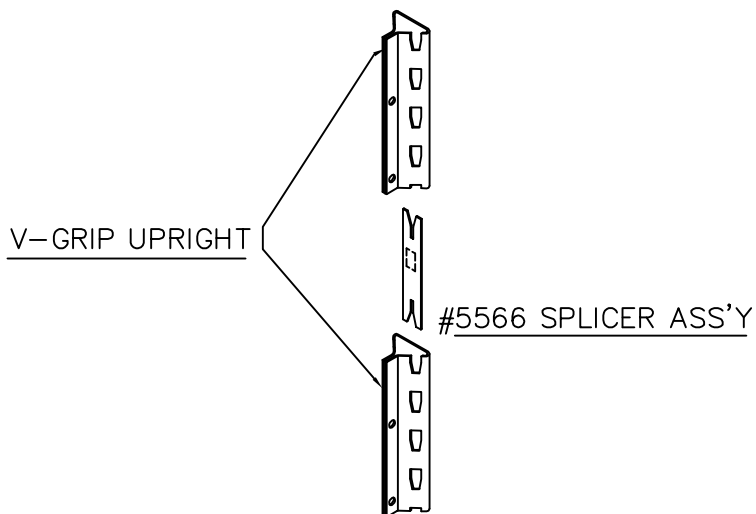
## 6. FLOOR ANCHOR INSTALLATION



### NOTE

HARDWARE FOR ANCHORING BRACKET DOWN WILL BE PROVIDED BY OTHERS.

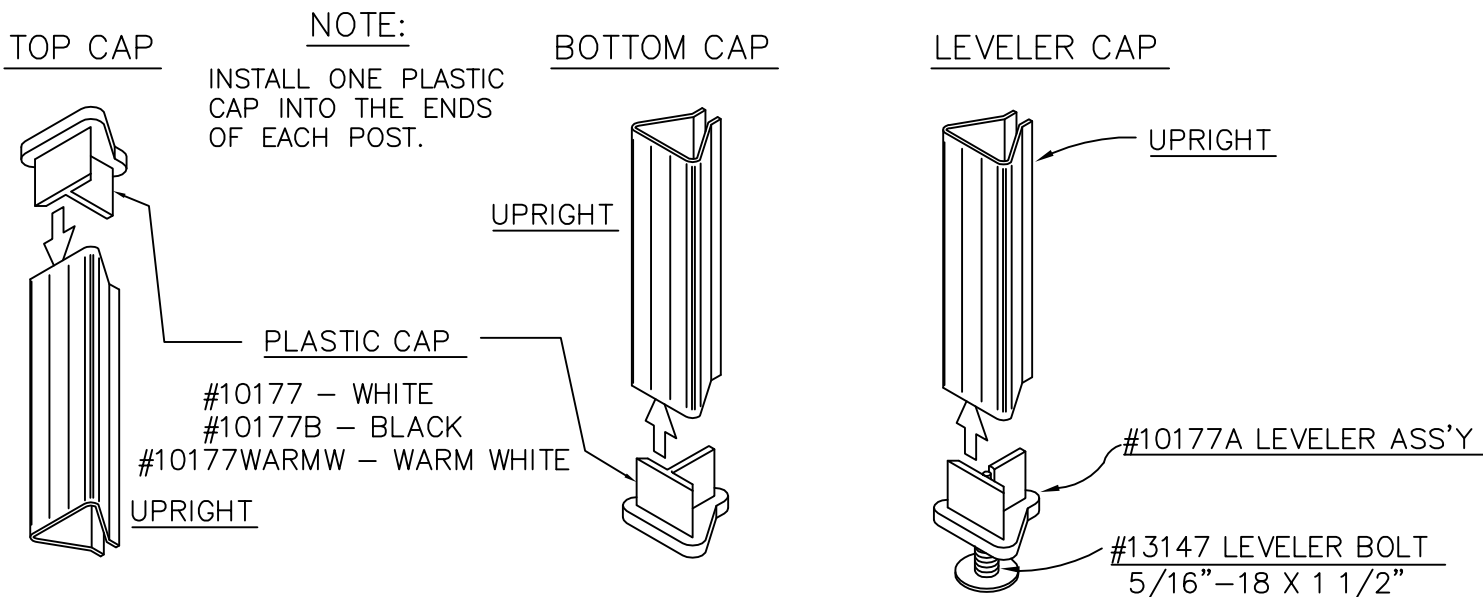
## 7. SPLICER INSTALLATION



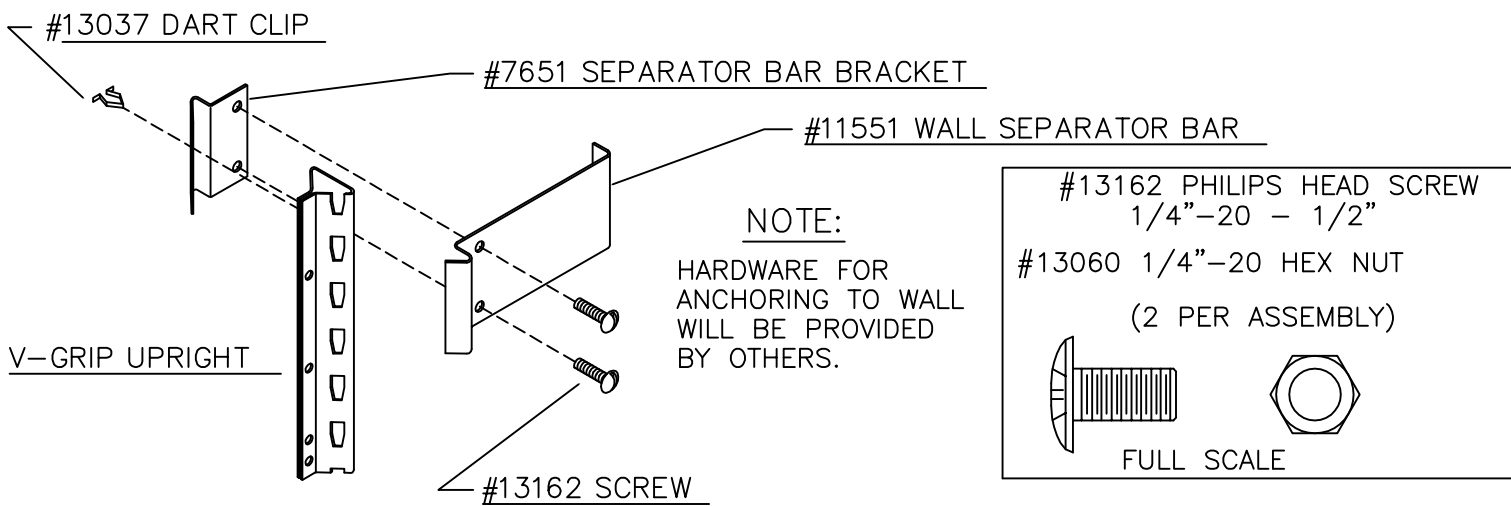
### NOTE

INSERT SPLICER INTO TOP AND BOTTOM OF STACKED V-GRIP UPRIGHTS TO PROVIDE RIGID SUPPORT NEEDED FOR HI-RISE STORAGE.

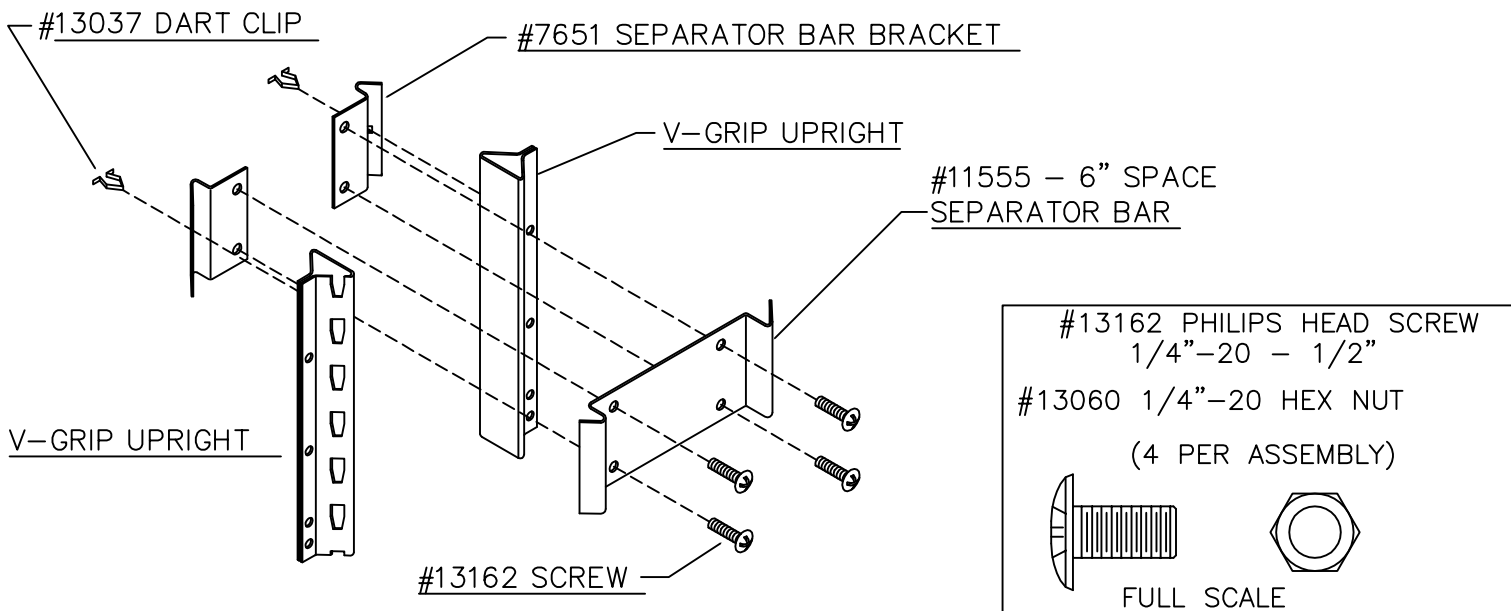
# 8. UPRIGHT CAP AND LEVELER



# 9. WALL SEPARATOR BAR ASSEMBLY



# 10. UNIT SEPARATOR BAR ASSEMBLY



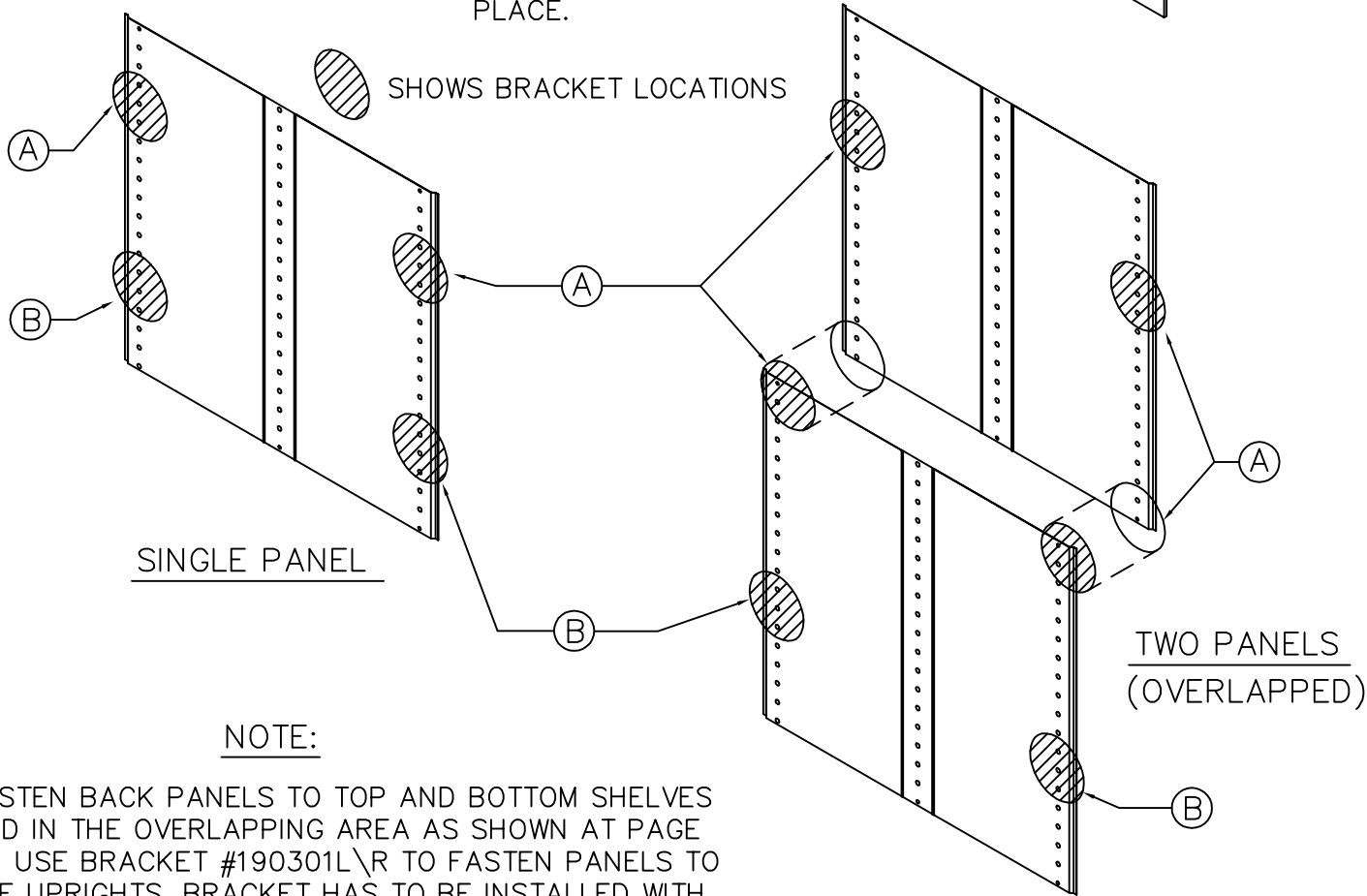
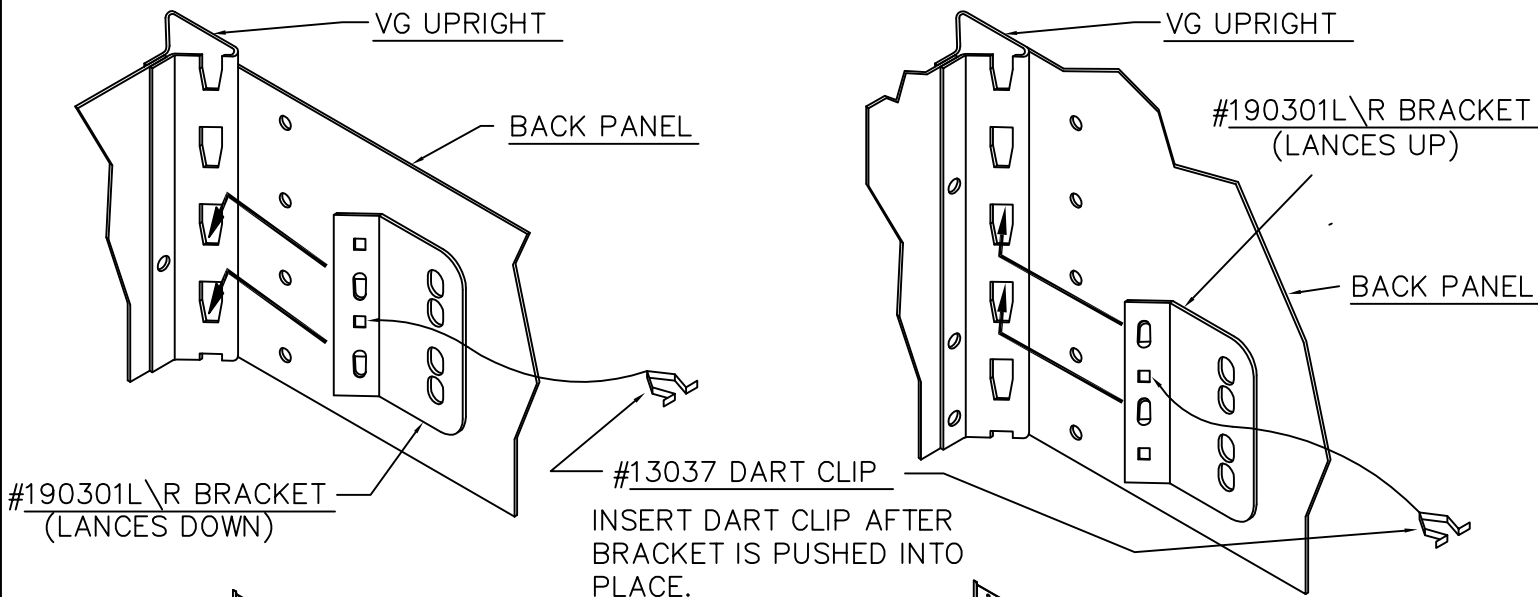


# 11. SEISMIC ACCESSORIES

## a. SEISMIC BACK PANEL INSTALLATION

### ORIENTATION A INSTALLATION

### ORIENTATION B INSTALLATION



### NOTE:

FASTEN BACK PANELS TO TOP AND BOTTOM SHELVES AND IN THE OVERLAPPING AREA AS SHOWN AT PAGE 10. USE BRACKET #190301L\R TO FASTEN PANELS TO THE UPRIGHTS. BRACKET HAS TO BE INSTALLED WITH LANCES UP (ORIENTATION B) WHEN USED TO BOLT THE BOTTOM OF BACK PANEL AND WITH LANCES DOWN (ORIENTATION A) FOR THE REST OF PANEL. IF REINFORCEMENT CHANNELS ARE TO BE INSTALLED IN REAR FLANGE OF TOP AND BOTTOM SHELVES, BACK PANEL MUST BE BOLTED TO TOP SHELF AND THE SECOND SHELF UP FROM THE FLOOR.

## b. SHELF LOCKING CLIP INSTALLATION

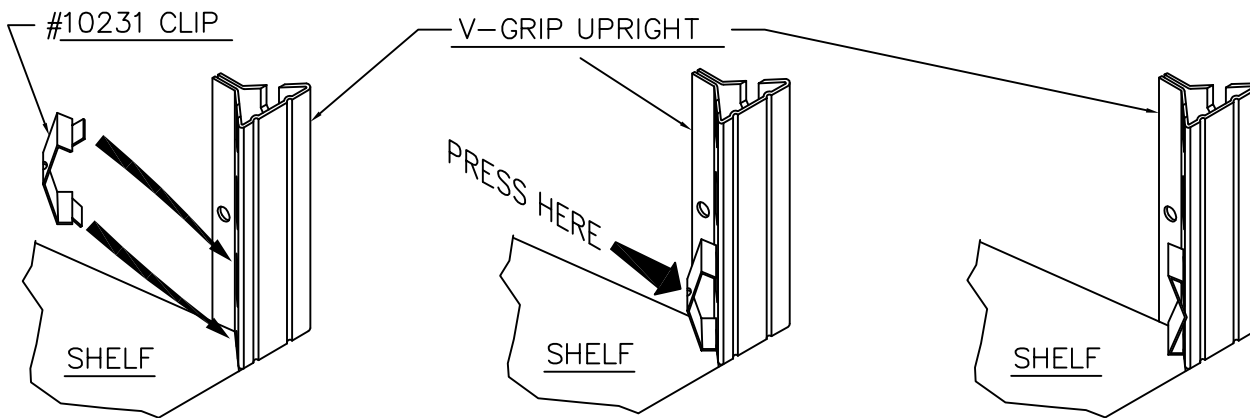


FIG. 1

INSERT BOTTOM TAB OF CLIP INTO THE SPACE LEFT BETWEEN SHELF AND UPRIGHT SLOT. INSERT TOP TAB OF CLIP INTO THE NEXT SLOT ABOVE THE SHELF.

FIG. 2

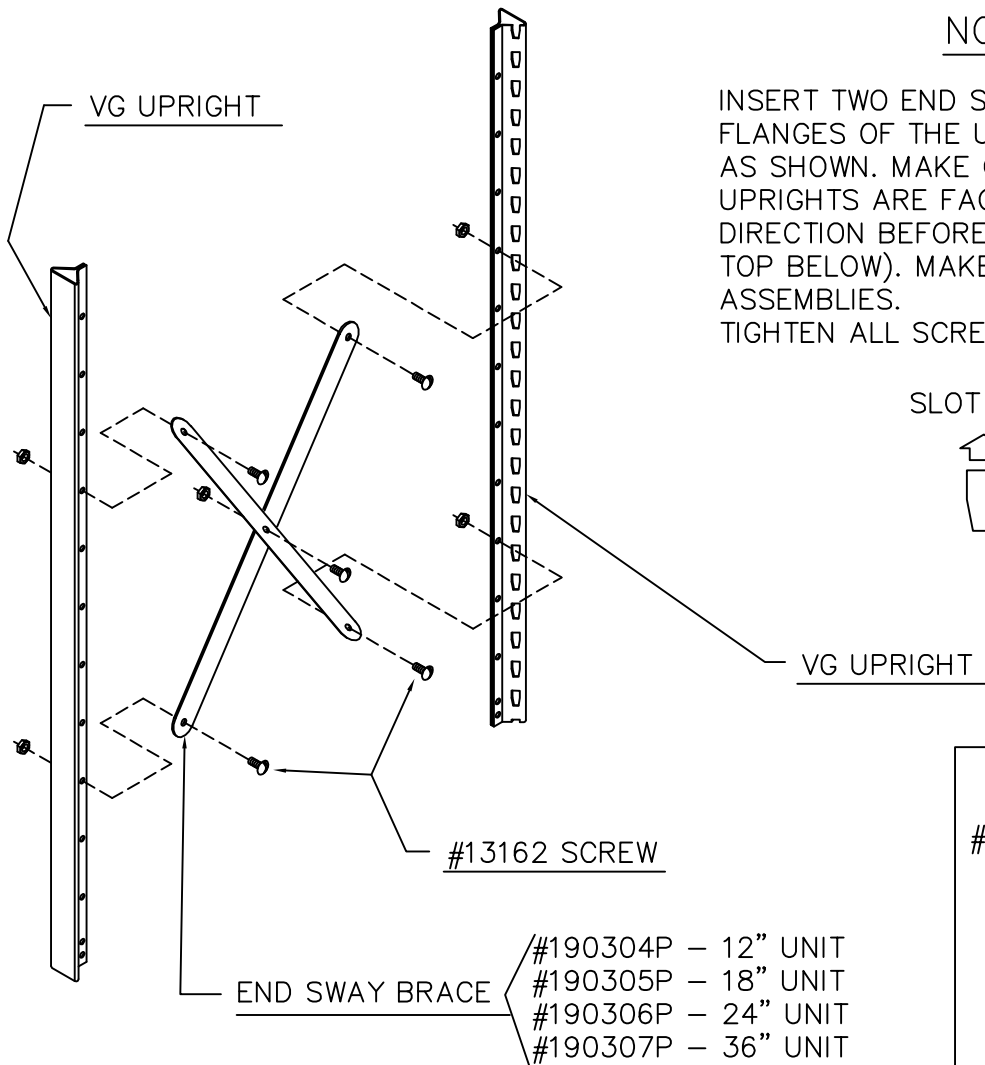
PRESS IN THE MIDDLE OF THE CLIP WHERE THE HOLE IS AND BEND THE CLIP AS SHOWN IN FIG. 3.

FIG. 3

FINAL POSITION OF THE CLIP AFTER BENDING.

**NOTE** INSTALL ONE SET FOR BOTTOM SHELF, SECOND SHELF FROM THE TOP AND FOR THE SHELF NEAREST THE SEISMIC BRACKET.

## c. SEISMIC END SWAY BRACE INSTALLATION



### NOTE

INSERT TWO END SWAY BRACES BETWEEN FLANGES OF THE UPRIGHTS AND FASTEN AS SHOWN. MAKE CERTAIN SLOTS IN BOTH UPRIGHTS ARE FACING IN THE SAME DIRECTION BEFORE BOLTING.(SEE SLOT TOP BELOW). MAKE TWO END FRAME ASSEMBLIES. TIGHTEN ALL SCREWS SECURELY.

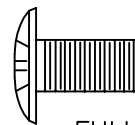
SLOT TOP



#13162 PHILIPS HEAD SCREW  
1/4"-20 X 1/2"

#13060 1/4"-20 HEX NUT

(5 PER PAIR OF END BRACES)

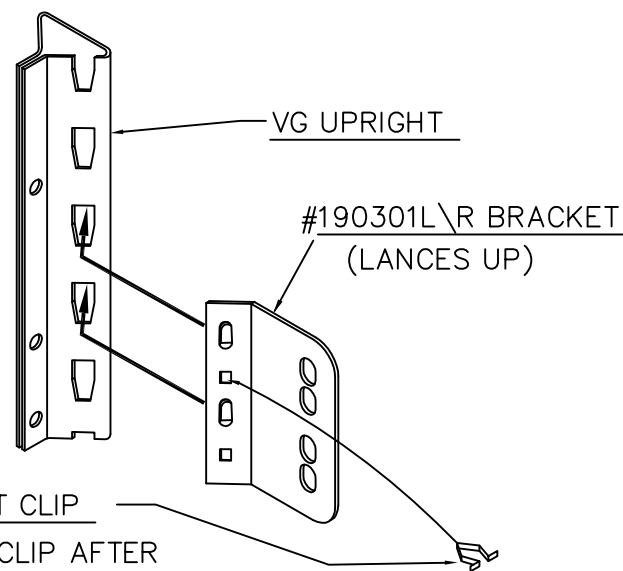
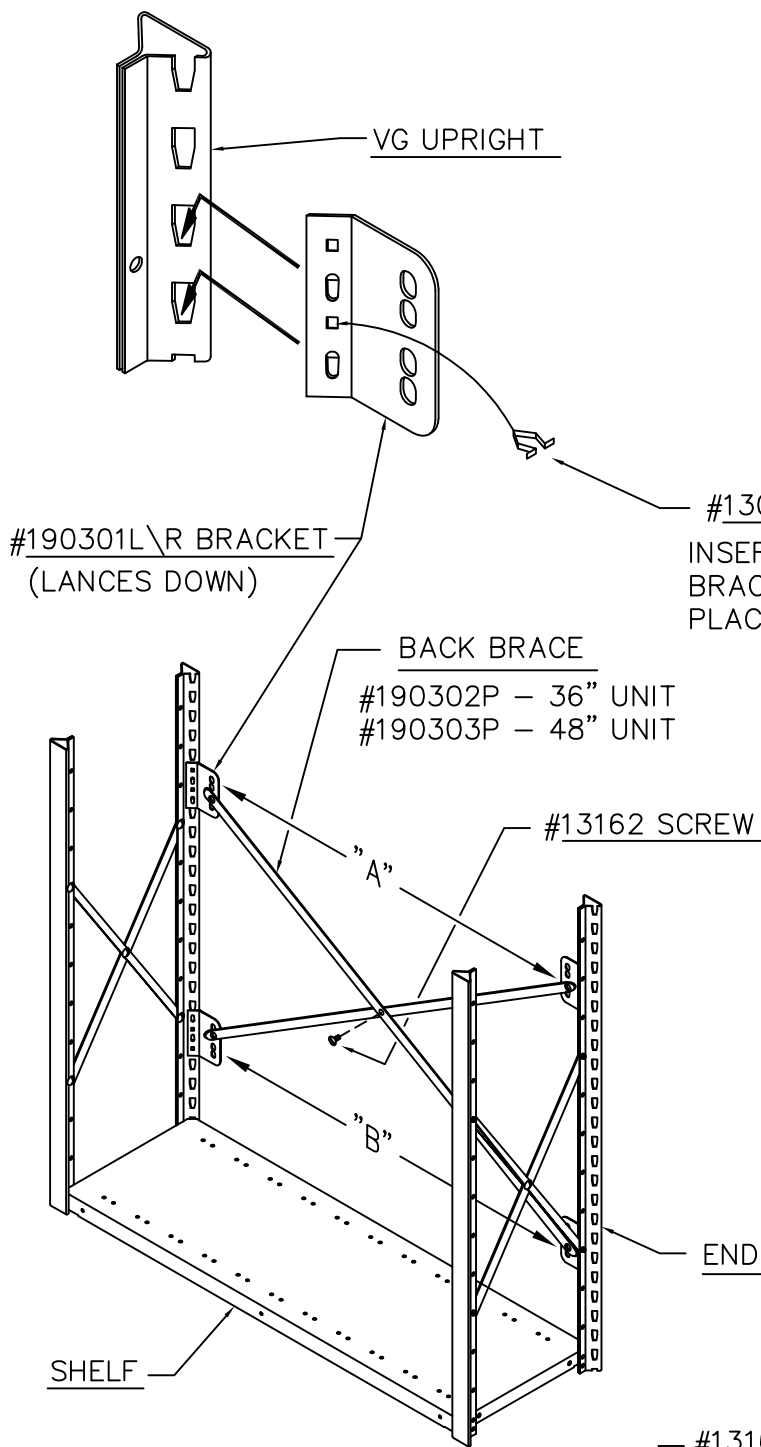


FULL SCALE

# d. SEISMIC BACK BRACE INSTALLATION

## ORIENTATION "A" INSTALLATION

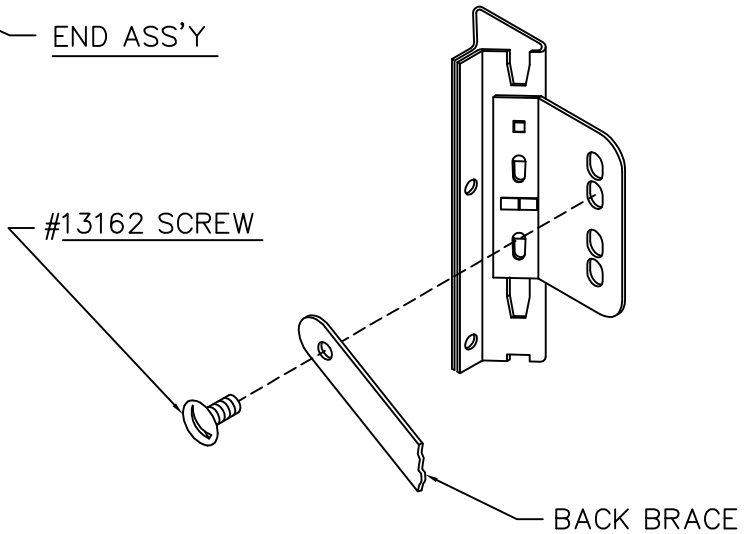
## ORIENTATION "B" INSTALLATION



#13037 DART CLIP  
 INSERT DART CLIP AFTER  
 BRACKET IS PUSHED INTO  
 PLACE.

### NOTE

HOOK TWO #190301L\R BRACKETS WHERE THE TOP OF BRACES ARE TO BE INSTALLED AS SHOWN IN ORIENTATION "A" INSTALLATION. HOOK TWO #190301L\R BRACKETS WHERE THE BOTTOM OF BRACES ARE TO BE INSTALLED AS SHOWN IN ORIENTATION "B" INSTALLATION. BOLT BACK BRACES TO THE BRACKETS WITH #13162 SCREWS AS SHOWN BELLOW. COMPLETE INSTALLATION BY TIGHTENING BRACES TOGETHER IN THE CENTER WITH #13162 SCREW AND NUT.

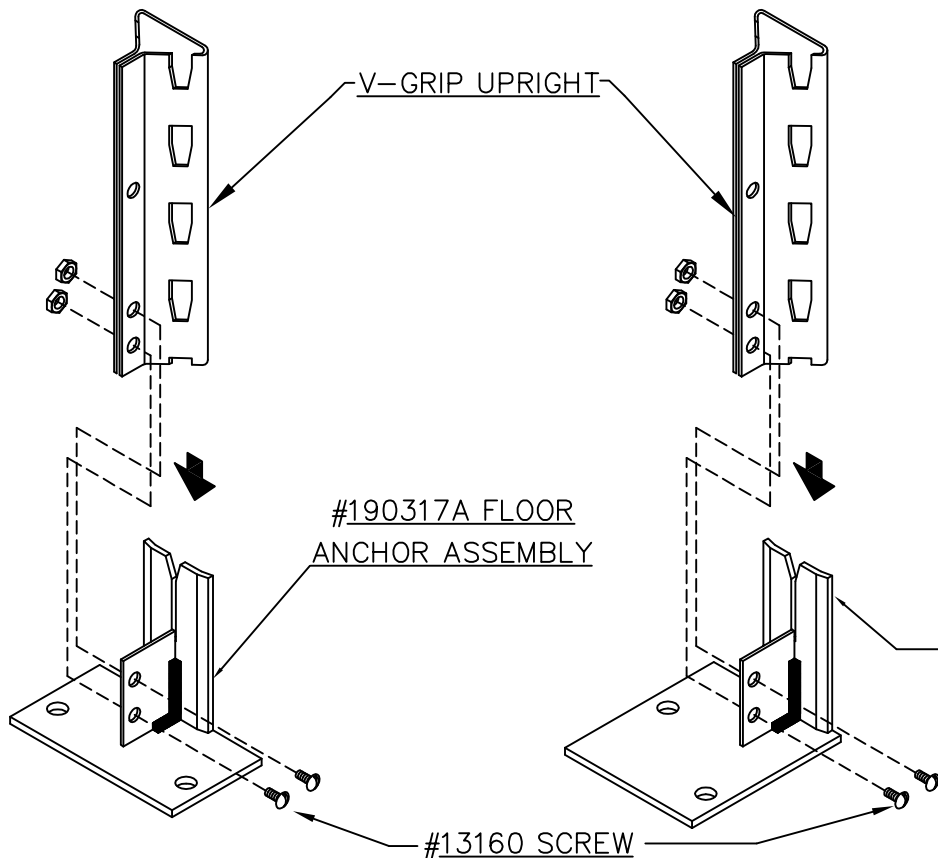


- #13162 PHILIPS HEAD SCREW  
1/4"-20 X 1/2"
- #13060 1/4"-20 HEX NUT
- (5 PER PAIR OF BACK BRACES)



FULL SCALE

### e. SEISMIC FLOOR ANCHOR ASS'Y INSTALLATION

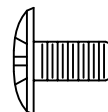


#### NOTE

HARDWARE FOR ANCHORING FLOOR ANCHOR ASSEMBLY DOWN WILL BE PROVIDED BY OTHERS.

#13160 PHILIPS HEAD SCREW  
#10-24 X 3/8"

#13061 #10-24 HEX NUT  
(2 PER ANCHOR)

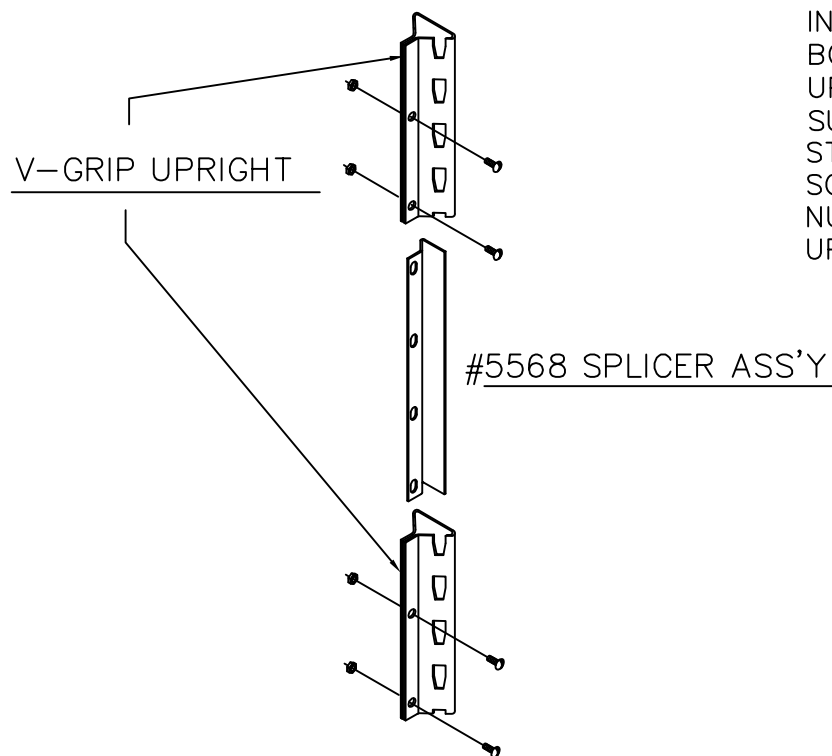


FULL SCALE

#190319A LH CORNER FLOOR ANCHOR ASSEMBLY (shown)

#190320A RH CORNER FLOOR ANCHOR ASSEMBLY

### f. SEISMIC V-GRIP SPLICER INSTALLATION

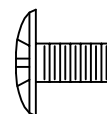


#### NOTE

INSERT SPLICER INTO TOP AND BOTTOM OF STACKED V-GRIP UPRIGHTS TO PROVIDE RIGID SUPPORT NEEDED FOR HI-RISE STORAGE. USE 4-#13160 SCREWS AND 4-#13061 KEPS NUTS TO FASTEN SPLICER TO UPRIGHTS.

#13160 PHILIPS HEAD SCREW  
#10-24 X 3/8"

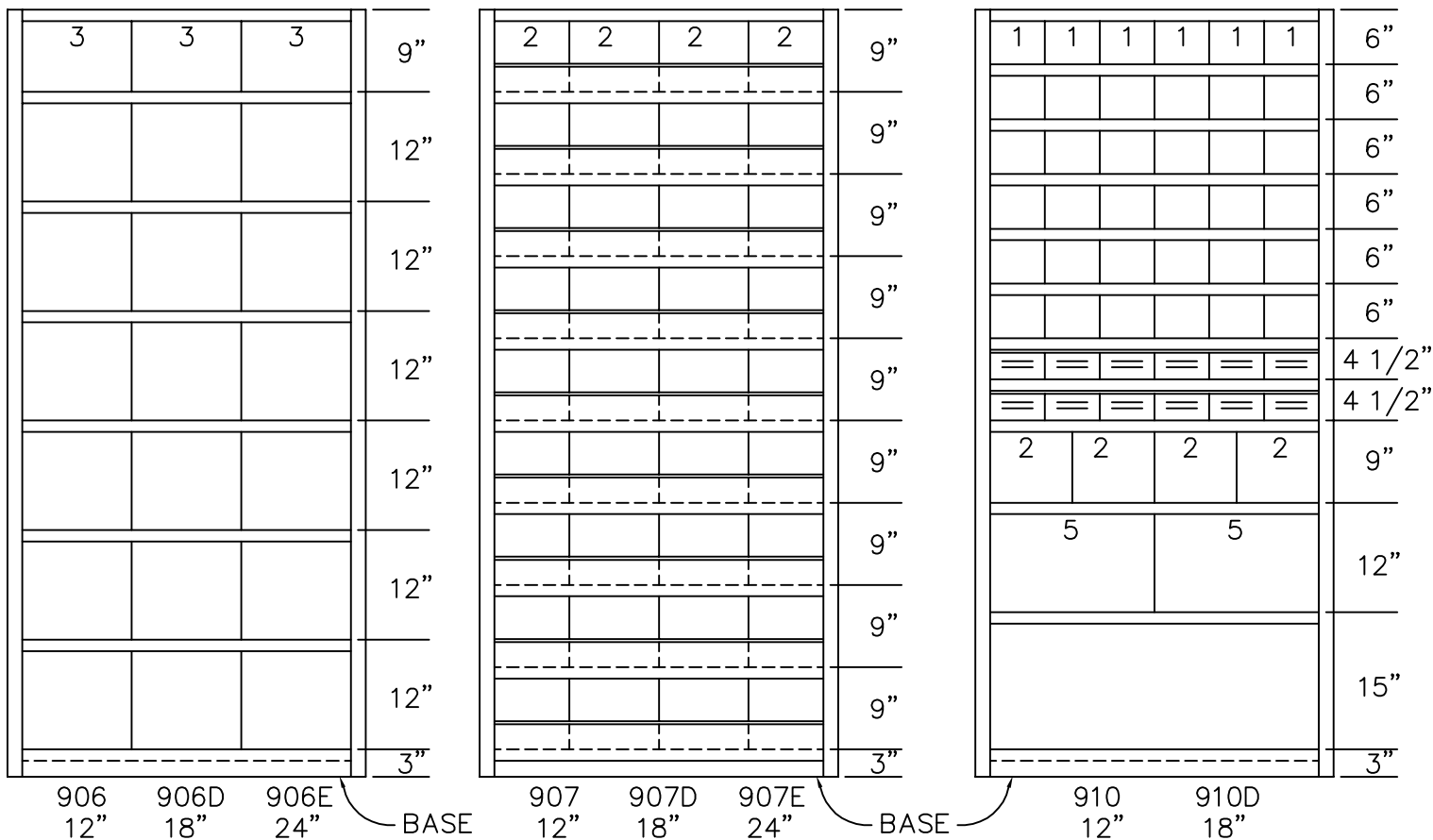
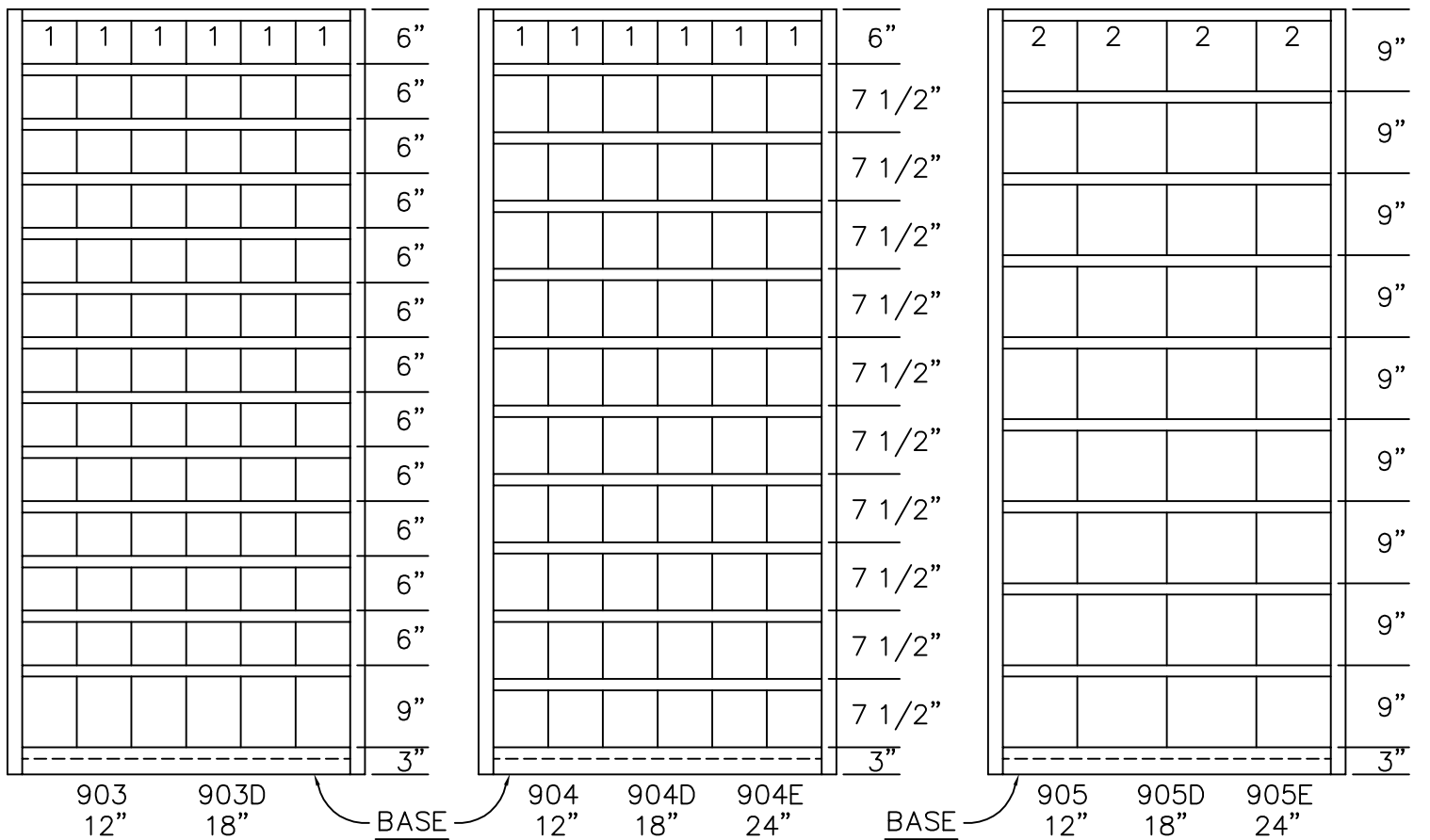
#13061 #10-24 HEX NUT  
(4 PER SPLICER)



FULL SCALE

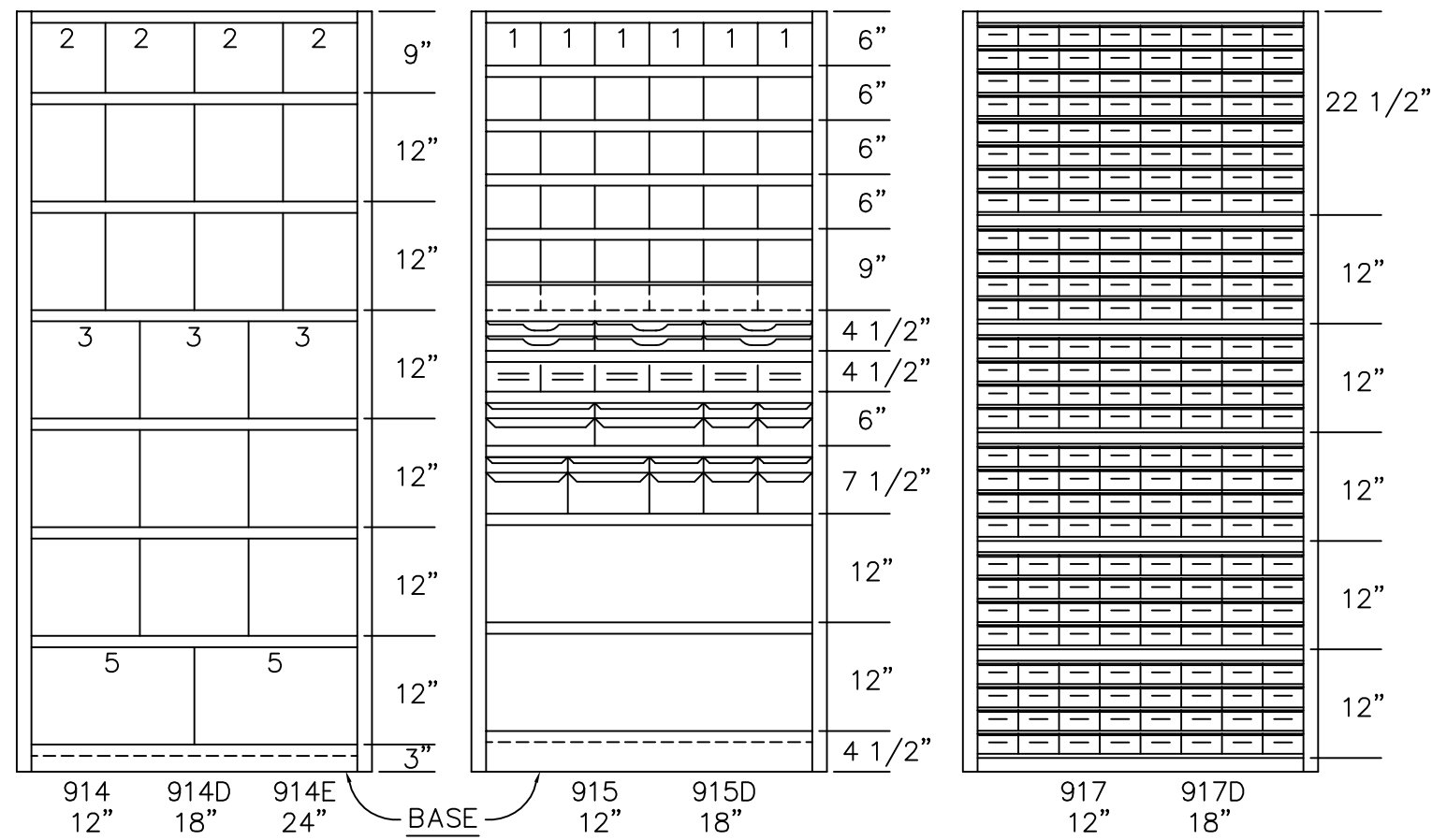
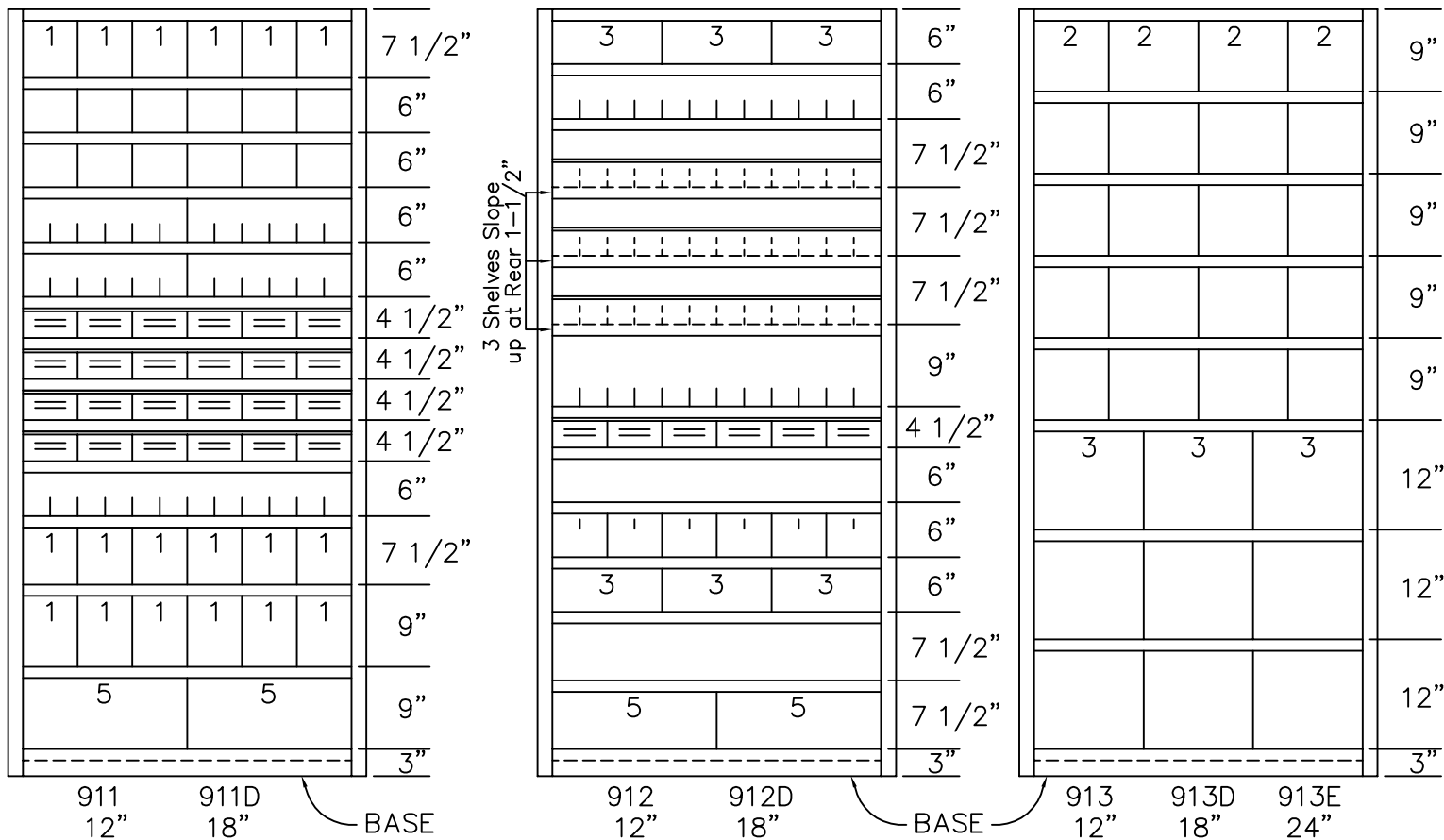
# 12. V-GRIP BIN UNITS

NOTE: NUMBERS SHOWN BETWEEN BIN DIVIDERS ON UNIT ELEVATION INDICATE NUMBER OF OPEN PAIR OF HOLES ON SHELF.



# 12. V-GRIP BIN UNITS (cont.)

**NOTE:** NUMBERS SHOWN BETWEEN BIN DIVIDERS ON UNIT ELEVATION INDICATE NUMBER OF OPEN PAIR OF HOLES ON SHELF.



# 12. V-GRIP BIN UNITS (cont.)

NOTE: NUMBERS SHOWN BETWEEN BIN DIVIDERS ON UNIT ELEVATION INDICATE NUMBER OF OPEN PAIR OF HOLES ON SHELF.

