

# 103ASY

---

The logo for CSCI, consisting of the letters 'C', 'S', 'C', and 'I' in a bold, stylized font. The 'C' and 'S' are connected, and the 'I' is a solid vertical bar. The letters have a textured, slightly grainy appearance.

---

**CSCI**

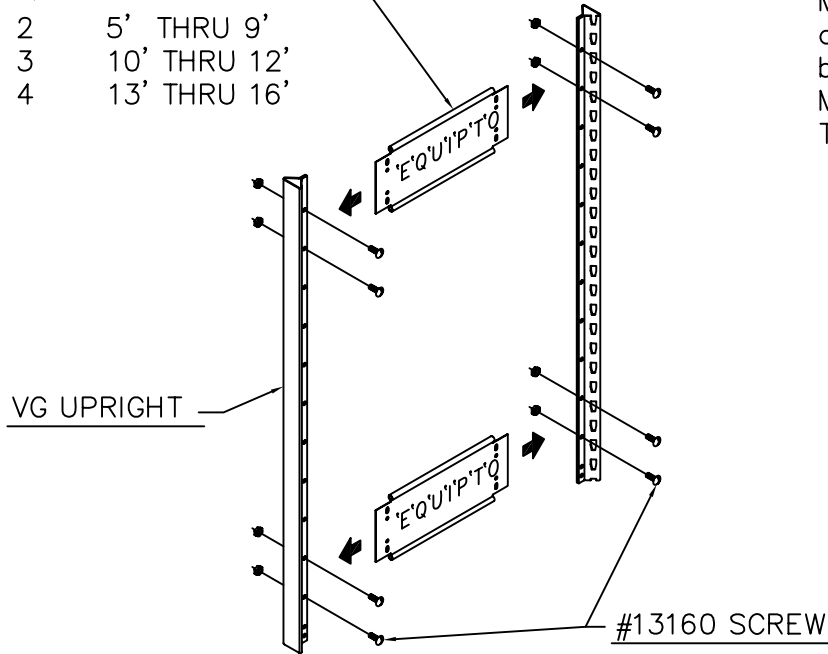
## **V-GRIP VERSARACK ASSEMBLY INSTRUCTIONS**

# 1 VERSA RACK INSTALLATION

## a. OPEN END FRAME ASSEMBLY

### END BRACE PLATES

REQ'D	HEIGHTS
2	5' THRU 9'
3	10' THRU 12'
4	13' THRU 16'



### NOTE

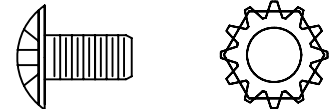
Insert brace plate between flanges of the uprights and fasten as shown. Make certain slots in both uprights are facing in the same direction before bolting. (see slot below) Make two end frame assemblies. Tighten screws securely.

SLOT TOP



#13160 SLOTTED TRUSS SCREW  
#10-24 X 3/8"

#13061 #10-24 HEX NUT  
(4 PER END BRACE)

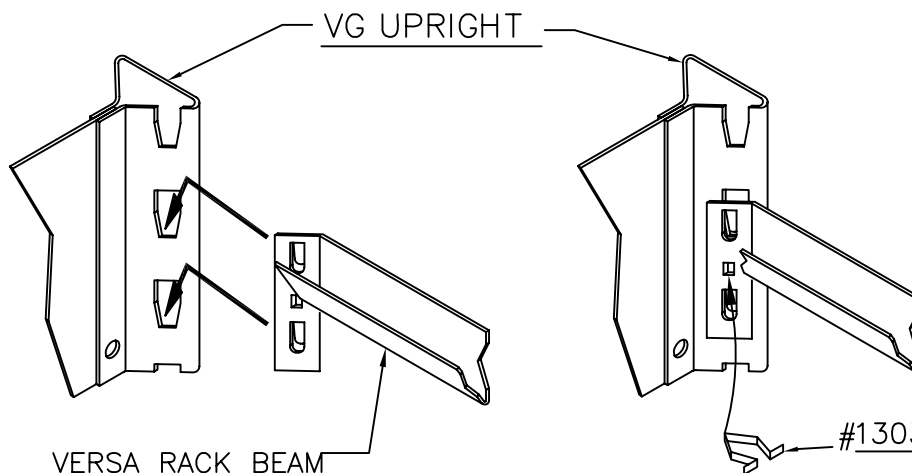


FULL SCALE

## b. BOTTOM BEAM INSTALLATION

### NOTE

Start building the units by installing the first two beams at the bottom of end frame assemblies.



VERSARACK BEAM  
(VR-B36, VR-B42, OR VR-B48)

#13037 DART CLIP

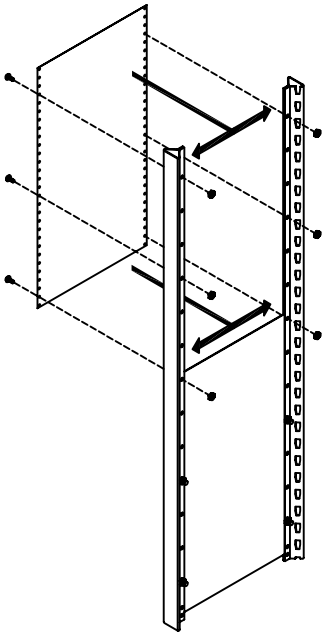
INSERT DART CLIP AFTER BEAM IS PUSHED INTO PLACE.

# c. CLOSED END FRAME ASSEMBLY

## 1. END FRAME ASSEMBLY

### NOTE

Insert end panels between flanges of the uprights. End panels will overlap in order to fit the height of the unit. Always overlap with the higher panel to the outside in a shingling effect. Be sure to bolt thru the overlap or overlaps on each upright. Make certain slots in both uprights are facing in the same direction before bolting. (See Slot Below)



Slot Top



Now install end caps at the bottom of uprights, if ordered. Then stand end frame on floor before tightening screws securely.

Two (2) end frames are required.

#13160 SLOTTED TRUSS SCREW  
#10-24 X 3/8"

#13061 #10-24 HEX NUT



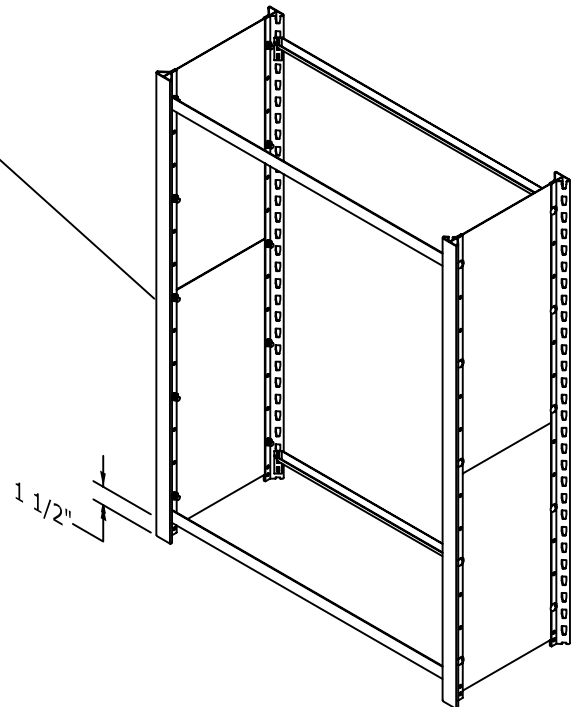
FULL SCALE

## 2. TOP AND BOTTOM BEAM ASSEMBLY

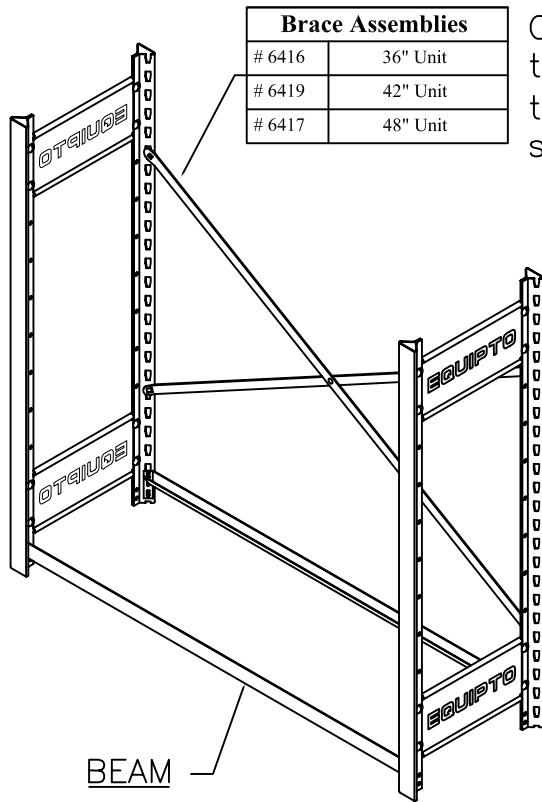
CLOSED END FRAME ASSEMBLY

### NOTE

Start building the unit by installing the bottom and the top beams to two end frame assemblies. The bottom beams will be installed approximatley 1-1/2" high.



# d. OPTIONAL SWAY BRACE INSTALLATION

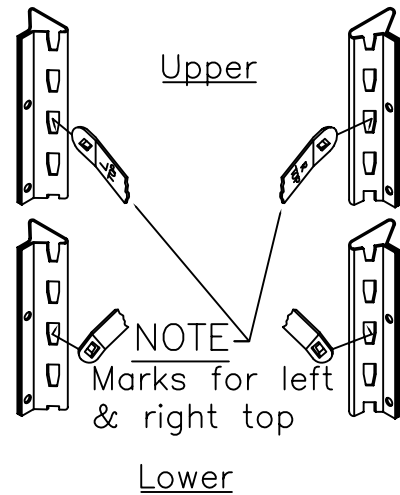


On 10' or taller use two (2) sway braces

## NOTE

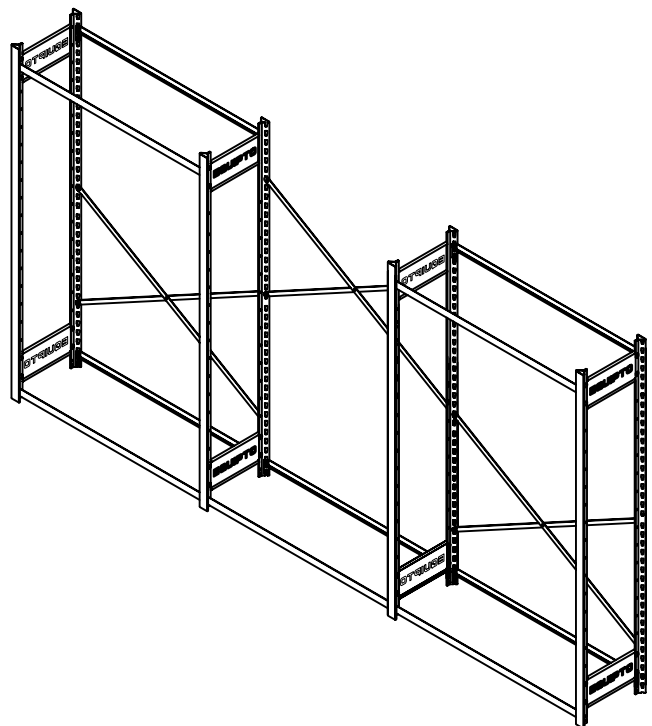
On back of unit – mark one (1) upright where you desire the shelves to be located. Then hook bottom ends of brace into slots at the same level of both rear uprights missing the slots marked for shelves. repeat this hooking procedure with the top ends of brace. braces are used with open style shelving to provide stability of the unit.

End Assembly



## NOTE

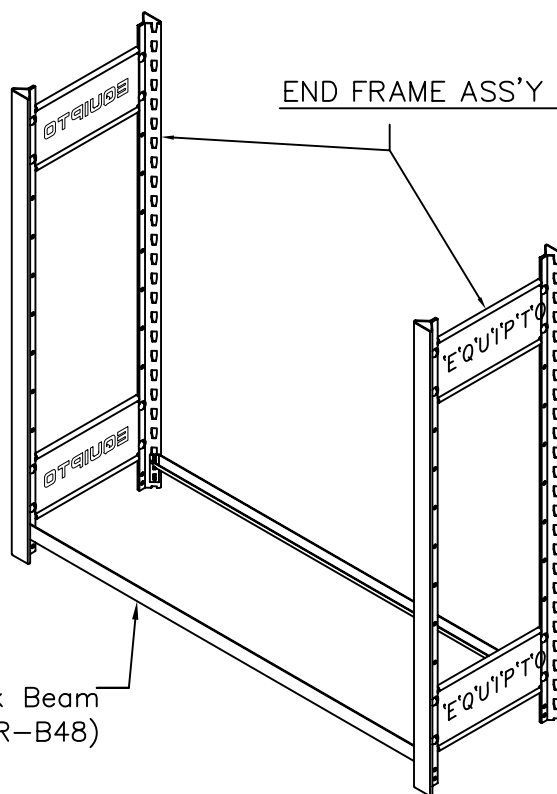
When adding additional shelving units in a row, back sway braces are staggered on the end to end units for support.



NOTE

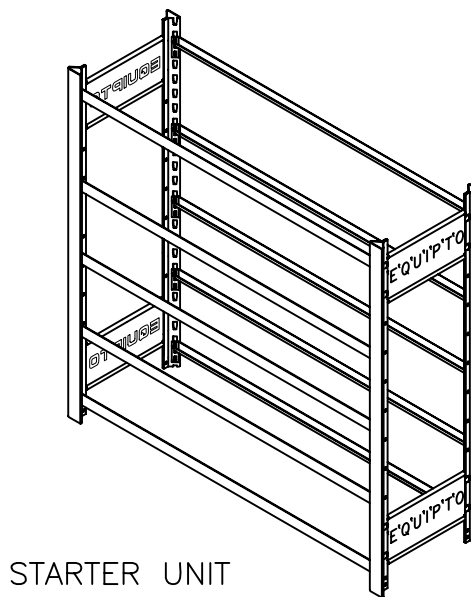
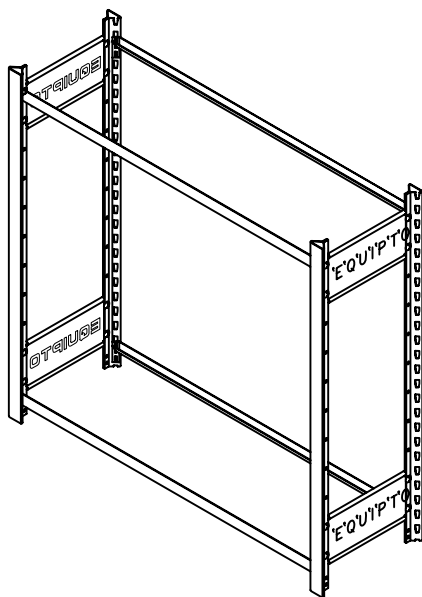
The bottom beams will be installed at 1 1/2" height.

If Shelf reinforcements are required – see reinforced shelf assembly instructions before proceeding.



e. TOP BEAM INSTALLATION

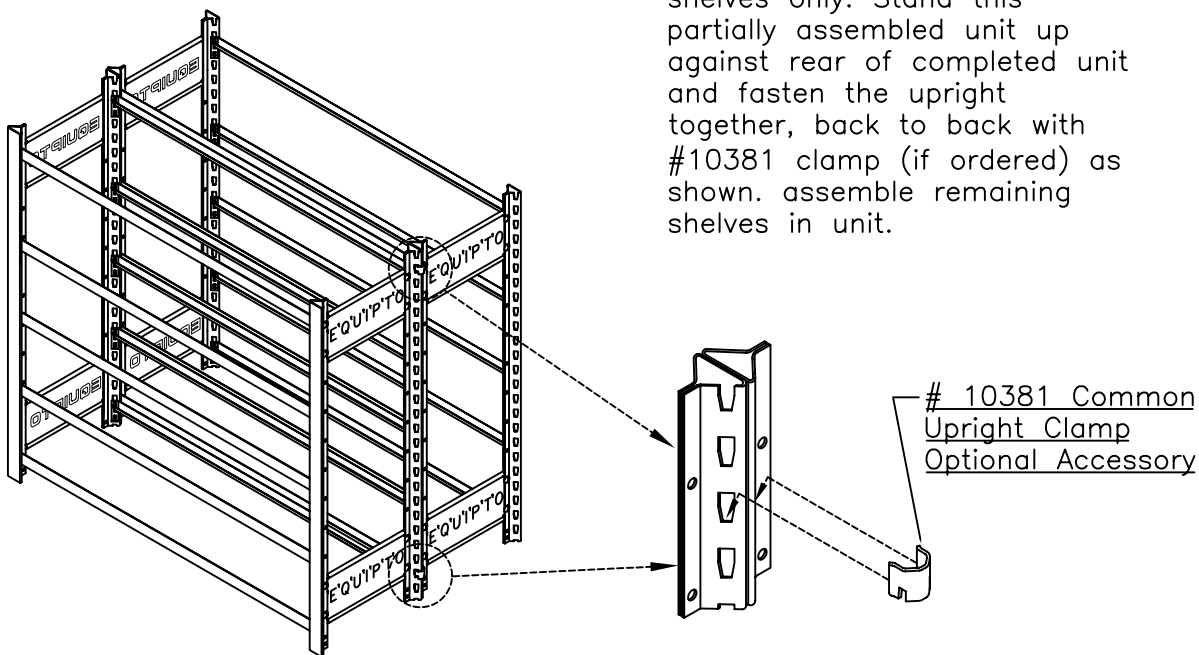
After installing the bottom beams the top beams should be installed next. To complete unit assembly install the remaining beams in the middle of the unit.



### f. BACK TO BACK ASSEMBLY

#### NOTE

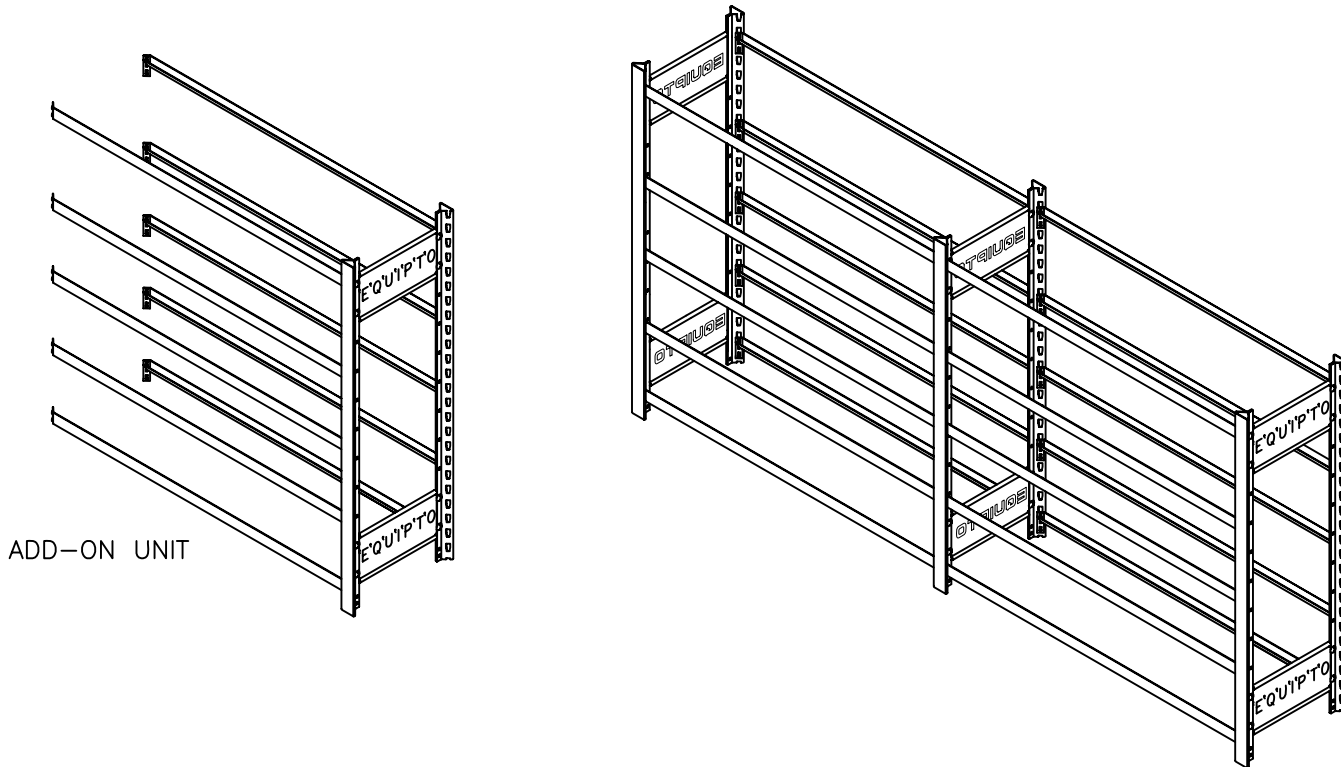
Back to back shelving assembly with top & bottom shelves only. Stand this partially assembled unit up against rear of completed unit and fasten the upright together, back to back with #10381 clamp (if ordered) as shown. assemble remaining shelves in unit.



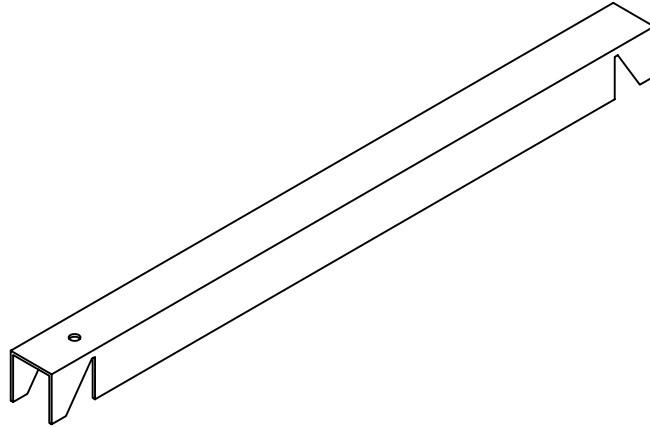
### g. END TO END ASSEMBLY

#### NOTE

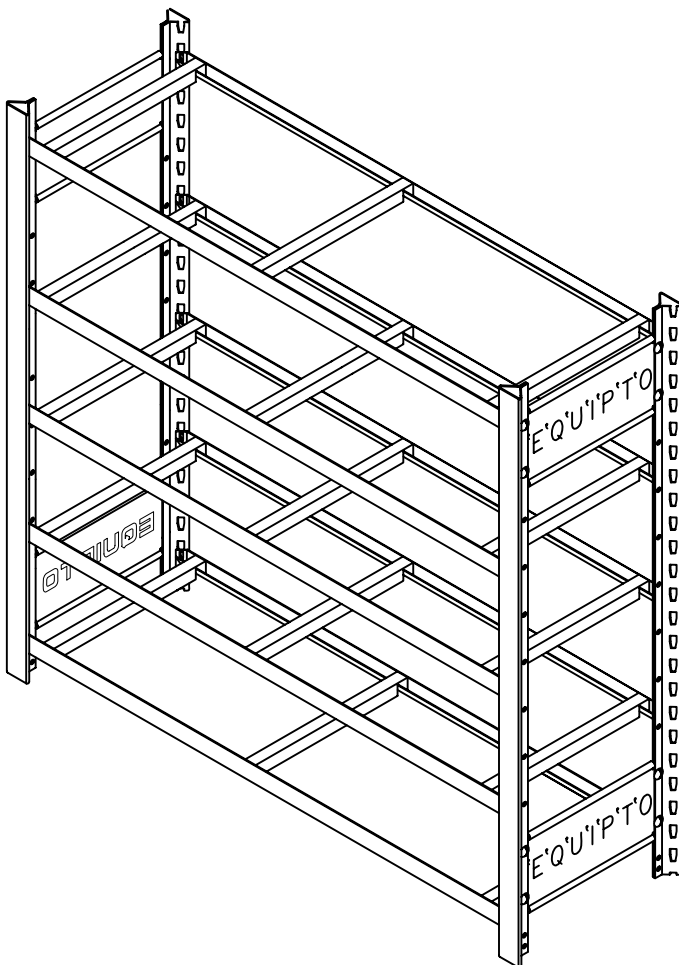
To add additional shelving units in a row, use the add-on unit. Connect add-on unit to the opposite side of the existing shelving uprights and repeat assembly.



## h. SHELF REINFORCEMENTS



Although reinforcements are optional, when storing heavy loads, 3 per shelf are recommended on shelf depths of 24", 30", and 36".



### SHELF REINFORCEMENTS

WR-R15

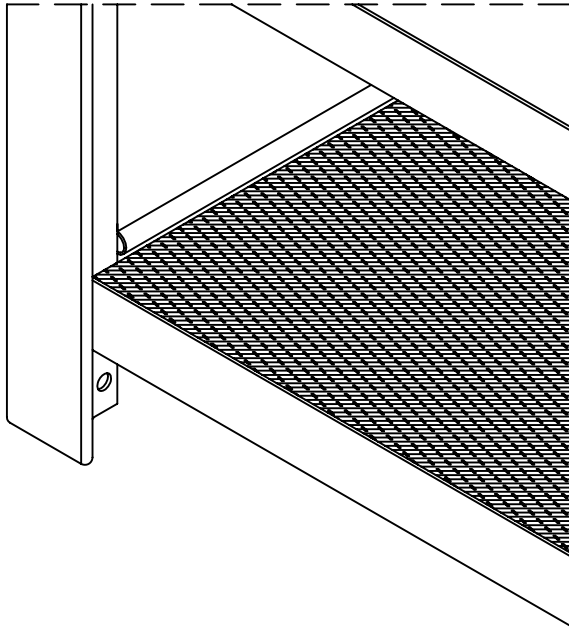
WR-R18

WR-R24

WR-R30

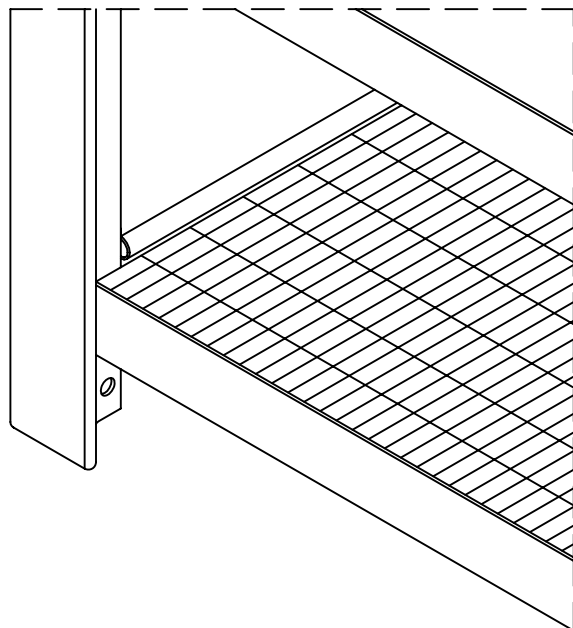
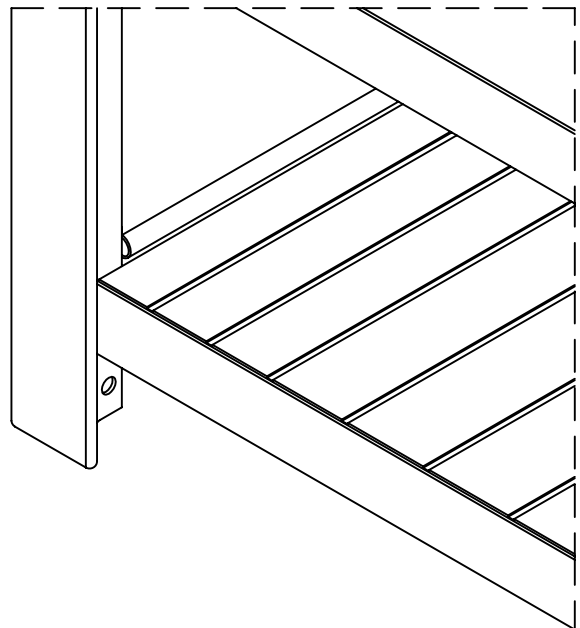
WR-R36

i. SHELF DECKING



PARTICLE BOARD  
DECKING

CORRUGATED STEEL  
DECKING



WIRE DECKING