

Toll-Free Tel: 800-323-0801 Toll-Free Fax: 888-859-2121
www.equipto.com


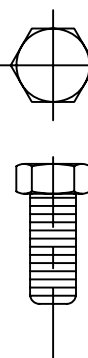
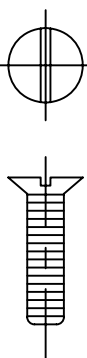
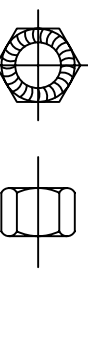
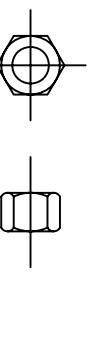
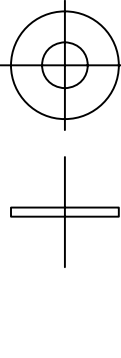
© 1997 BY EQUIPTO
REPRODUCTION STRICTLY FORBIDDEN

DESCRIPTION HARDWARE

STEP 1. LAY BENCH LEGS ON THEIR BACKS AS SHOWN IN DETAIL 1. BOLT THE UNIVERSAL WALL MOUNT BETWEEN THE LEGS WITH THE HOLES IN THE BACK FLANGE FACING DOWN.

STEP 2. STAND THE BENCH LEGS UP AND LOCATE WHERE NEEDED. THEN ANCHOR TO THE WALL WITH THE HARDWARE BY OTHERS. THE WALL MAY BE ANY TYPE, BUT MUST BE ABLE TO PERMANENTLY HOLD THE LOADED BENCH AGAINST THE WALL AS SHOWN IN DETAIL 2.

STEP 3. LAY BENCH TOP ON THE BENCH LEGS AND BOLT IN PLACE USING THE HARDWARE PROVIDED WITH THE TOP. WOOD TOPS USE 8 - HEX WASHER HEAD SCREWS AND STEEL TOPS USE 8 - FLAT HEAD BOLTS.

| DESCRIPTION | HARDWARE |
|--|---|
| HEX WASHER HEAD SCREW #14 x 1" LONG |  |
| HEX HEAD BOLT 5/16"-18 x 3/4" LONG |  |
| FLAT HEAD BOLT 1/4"-20 x 1" LONG |  |
| LOCK NUT 5/16"-18 |  |
| KEPS NUT 1/4"-20 |  |
| FLAT WASHER 1/4" |  |

BENCH TOP MATERIALS AVAILABLE

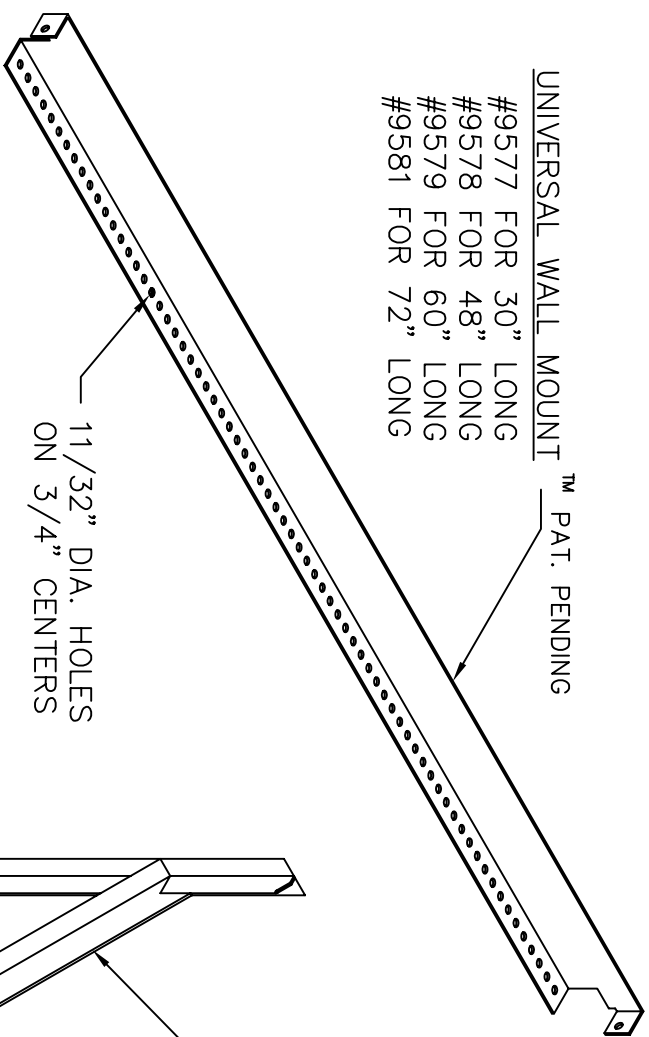
MATERIALS FOR STEEL TOP

MATERIALS FOR WOOD TOP

| STEEL (12 GA.) | | HARDBOARD ON STEEL (12 GA.) | |
|----------------|-----------|-----------------------------|-----------|
| FLANGE DOWN | SIZE | FLANGE DOWN | SIZE |
| #11479D | 30" x 48" | #11479 | 30" x 48" |
| #11480D | 30" x 60" | #11480 | 30" x 60" |
| #11481D | 30" x 72" | #11481 | 30" x 72" |
| #11482D | 30" x 96" | #11482 | 30" x 96" |
| #11463D | 36" x 48" | #11463 | 36" x 48" |
| #11464D | 36" x 60" | #11464 | 36" x 60" |
| #11465D | 36" x 72" | #11465 | 36" x 72" |
| #11370D | 36" x 96" | #11370 | 36" x 96" |

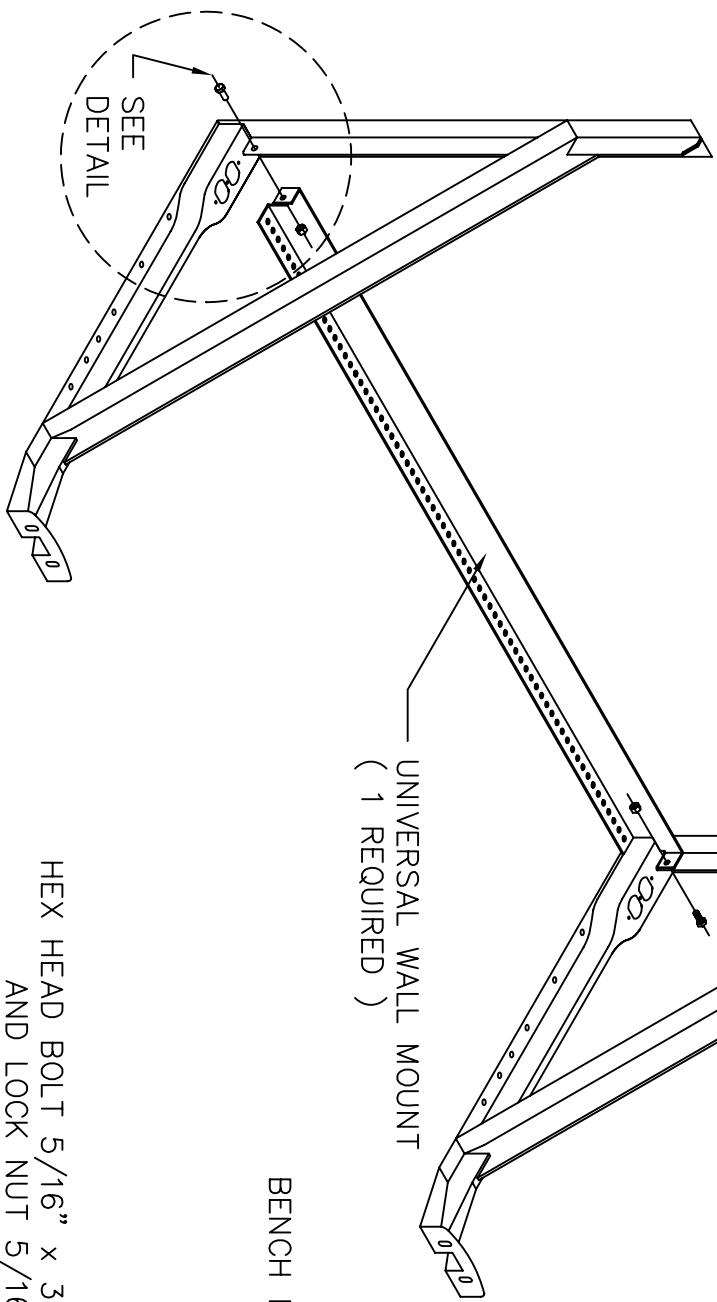
| CONDUCTIVE 1-1/4" THICK | | BONDED WOOD 1-3/4" THICK | | LAMINATED MAPLE 1-3/4" THICK | |
|-------------------------|-----------|--------------------------|-----------|------------------------------|-----------|
| #12312 | 30" x 48" | #12347 | 30" x 48" | #12338 | 30" x 48" |
| #12305 | 30" x 60" | #12348 | 30" x 60" | #12339 | 30" x 60" |
| #12306 | 30" x 72" | #12349 | 30" x 72" | #12340 | 30" x 72" |
| #12350 | 30" x 96" | #12378 | 30" x 96" | #12376 | 30" x 96" |
| #12314 | 36" x 48" | #12350 | 36" x 48" | #12341 | 36" x 48" |
| #12315 | 36" x 60" | #12351 | 36" x 60" | #12342 | 36" x 60" |
| #12316 | 36" x 72" | #12352 | 36" x 72" | #12343 | 36" x 72" |
| #12381 | 36" x 96" | #12379 | 36" x 96" | #12377 | 36" x 96" |

UNIVERSAL WALL MOUNT™ PAT. PENDING
 #9577 FOR 30" LONG
 #9578 FOR 48" LONG
 #9579 FOR 60" LONG
 #9581 FOR 72" LONG



11/32" DIA. HOLES
 ON 3/4" CENTERS

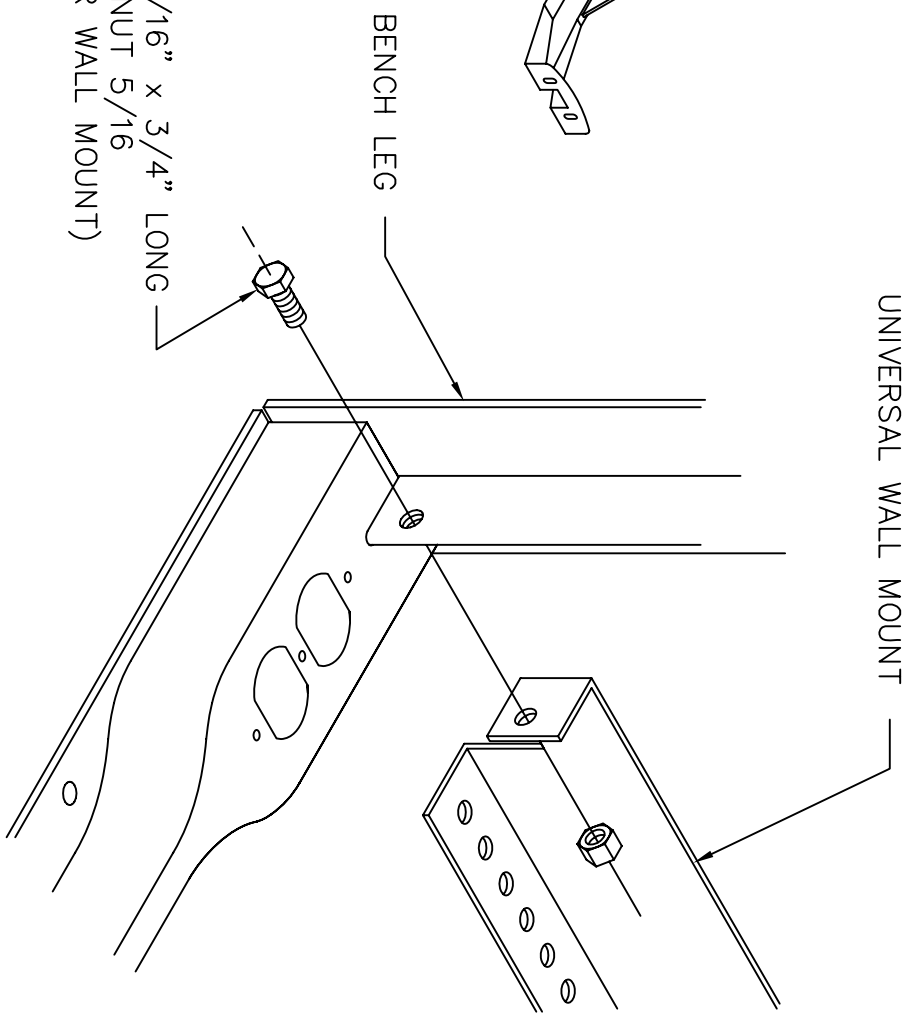
1 WALL BRACE ASSEMBLY



BENCH LEG
 #9927 FOR 30" DEEP
 #9936 FOR 36" DEEP
 (2 REQUIRED)

UNIVERSAL WALL MOUNT
 (1 REQUIRED)

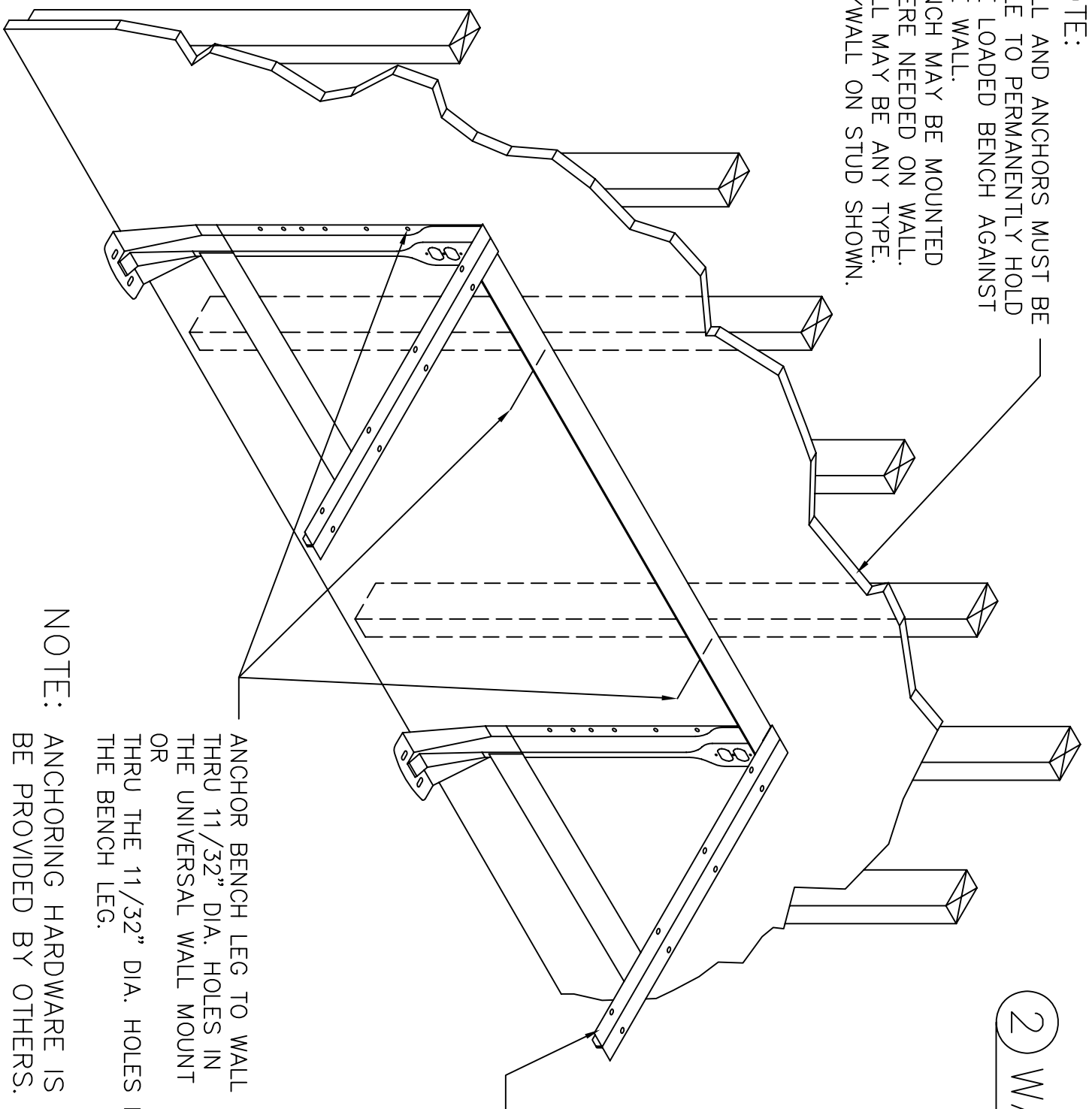
HEX HEAD BOLT 5/16" x 3/4" LONG
 AND LOCK NUT 5/16
 (2 REQUIRED PER WALL MOUNT)



SEE
 DETAIL

2 WALL ANCHORING

NOTE:
WALL AND ANCHORS MUST BE
ABLE TO PERMANENTLY HOLD
THE LOADED BENCH AGAINST
THE WALL.
BENCH MAY BE MOUNTED
WHERE NEEDED ON WALL.
WALL MAY BE ANY TYPE.
DRYWALL ON STUD SHOWN.



BENCH LEG WITH THE
UNIVERSAL WALL MOUNT
BOLTED IN PLACE.

ANCHOR BENCH LEG TO WALL
THRU 11/32" DIA. HOLES IN
THE UNIVERSAL WALL MOUNT
OR
THRU THE 11/32" DIA. HOLES IN
THE BENCH LEG.

NOTE: ANCHORING HARDWARE IS TO
BE PROVIDED BY OTHERS.

3 TOP MOUNTING

