

# 51530ASY

THIS DRAWING IS THE PROPERTY OF

## EQUIPTO

4819 MAPLE AVENUE  
DALLAS, TEXAS 75219

PH (800) 323-0801  
(214) 443-9800  
FAX (214) 443-9644

# MODULAR DRAWER & CLOSED LEG WORKCENTER ASSEMBLY INSTRUCTIONS

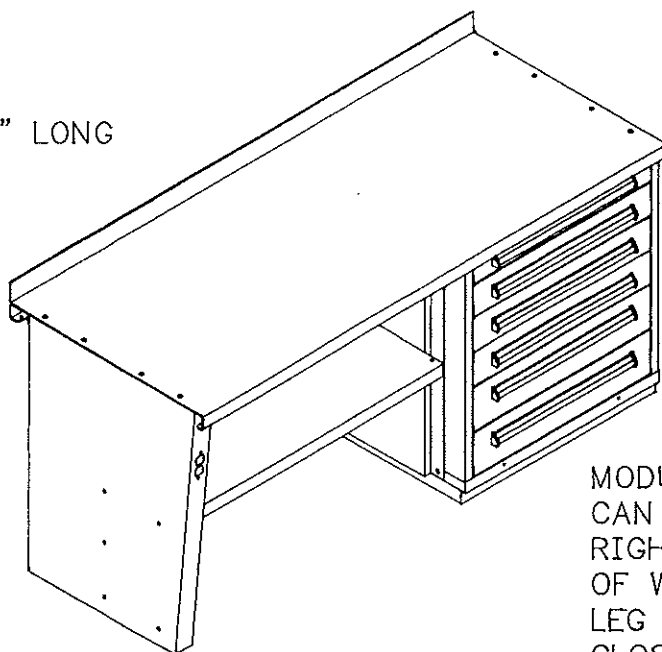
## A. ASSEMBLY PROCEDURE

1. INSTALL SHELF SUPPORT ANGLES AS SHOWN IN STEP 1.
2. MODULAR CABINET RISER INSTALLATION AS SHOWN IN STEP 2.
3. ASSEMBLE HALF SHELF AS SHOWN IN STEP 3. DO NOT TIGHTEN THE BOLTS UNTIL THE WORKCENTER IS COMPLETELY ASSEMBLED.
4. FASTEN STEEL TOP IN PLACE AS SHOWN IN STEP 4. TIGHTEN ALL FASTENERS SECURELY.
5. ASSEMBLE WOOD TOP IN PLACE AS SHOWN IN STEP 5.

## B. LIST OF WORKCENTER TOP MATERIALS AVAILABLE

### DIMENSIONS

34" HIGH  
60", 72" OR 96" LONG  
30" DEEP



### NOTE

MODULAR DRAWER CABINET CAN BE ASSEMBLED IN THE RIGHT OR LEFT HAND SIDE OF WORKCENTER (OPPOSITE LEG REQUIRED TO REVERSE CLOSED LEG).

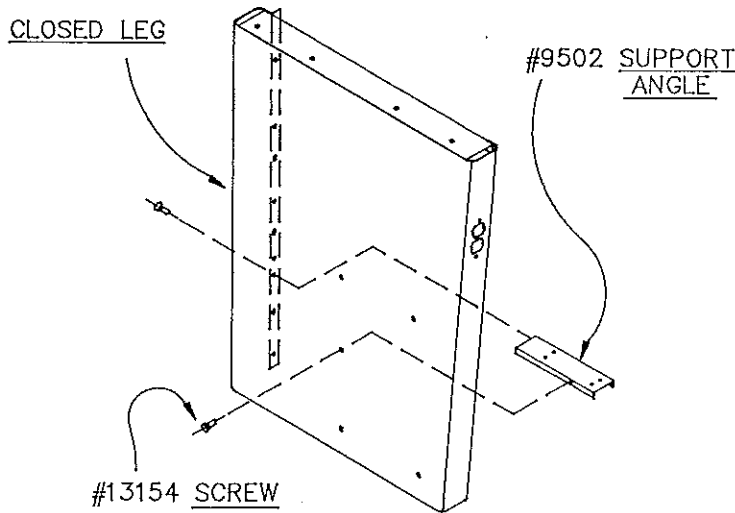
# A. ASSEMBLY PROCEDURE

## Step

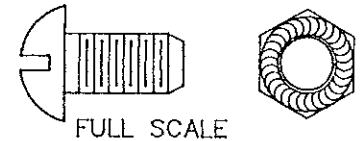
1

## SHELF SUPPORT ANGLES INSTALLATION

### a. INSTALLATION OF ANGLE IN LEG



- #13154 TRUSS HD MACH SCREW  
5/16" X 3/4"
- #13051 TWIN WHIZZ LOCKNUT  
5/16" - 18  
(2 PER ANGLE)



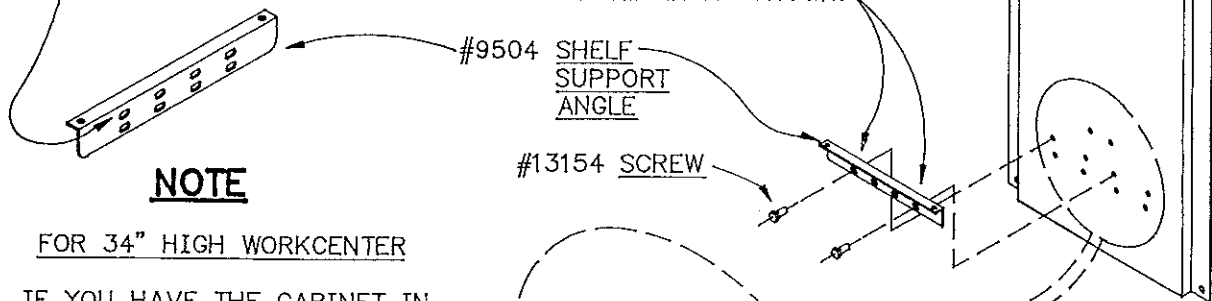
### b. INSTALLATION OF ANGLE IN RISER

#### NOTE

USE THE UPPER ROW OF HOLES IN SHELF SUPPORT ANGLE.

#### NOTE

USE THE OUTSIDE HOLES IN ANGLE TO BOLT IT IN RISER AS SHOWN.



#### NOTE

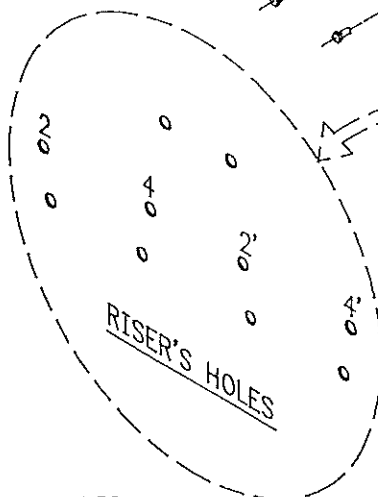
FOR 34" HIGH WORKCENTER

IF YOU HAVE THE CABINET IN THE RIGHT HAND SIDE OF THE WORKCENTER USE THE 2 - 2' PAIR OF HOLES TO BOLT THE ANGLE.

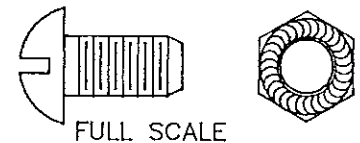
IF YOU HAVE THE CABINET IN THE LEFT HAND SIDE OF THE WORKCENTER USE THE 4 - 4' PAIR OF HOLES TO BOLT THE ANGLE.

#### NOTE

TIGHTEN ALL FASTENERS SECURELY.



- #13154 TRUSS HD MACH SCREW  
5/16" X 3/4"
- #13051 TWIN WHIZZ LOCKNUT  
5/16" - 18  
(2 PER ANGLE)



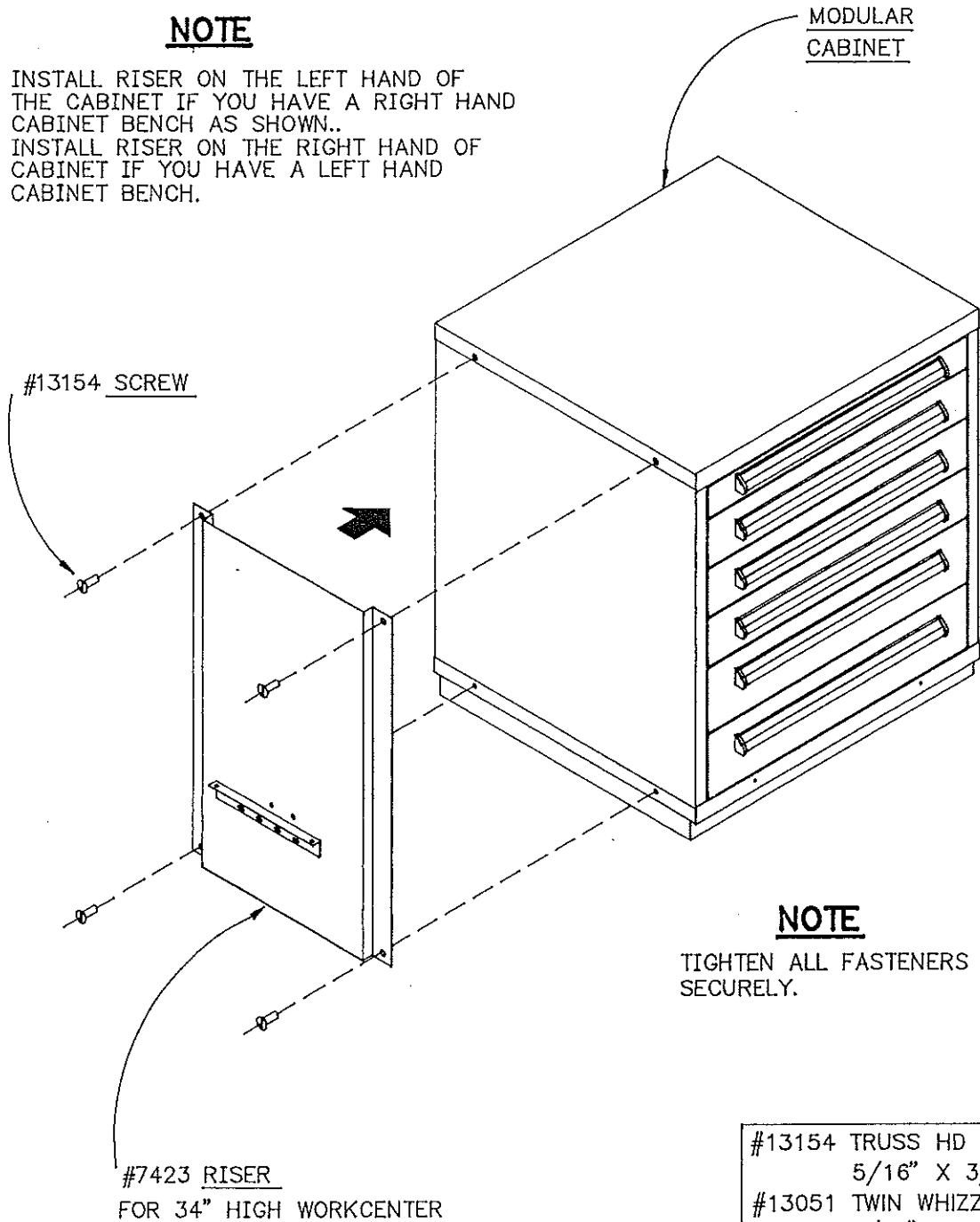
# Step

# 2

## CABINET RISER INSTALLATION

### NOTE

INSTALL RISER ON THE LEFT HAND OF THE CABINET IF YOU HAVE A RIGHT HAND CABINET BENCH AS SHOWN..  
INSTALL RISER ON THE RIGHT HAND OF CABINET IF YOU HAVE A LEFT HAND CABINET BENCH.



- #13154 TRUSS HD MACH SCREW  
5/16" X 3/4"
- #13051 TWIN WHIZZ LOCKNUT  
5/16" - 18  
(4 PER RISER)



FULL SCALE

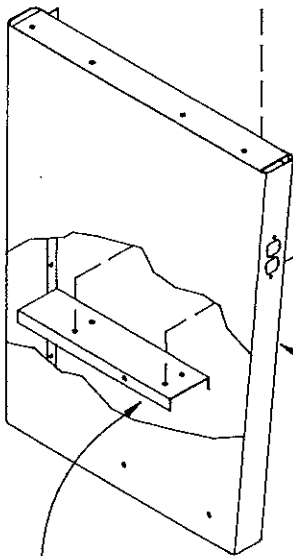
# Step

## 3

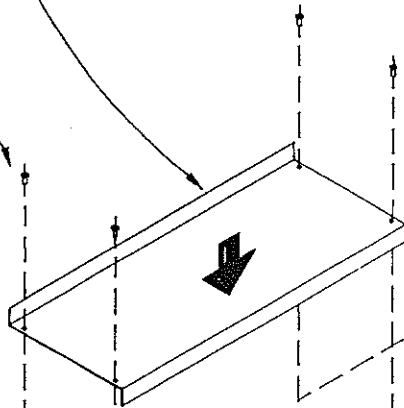
# HALF SHELF ASSEMBLY

HALF SHELF	BENCH LENGTH	HALF SHELF DIMENSIONS
#6172	60"	13 1/2" X 28 17/32
#6173	72"	13 1/2" X 40 17/32
#6174	96"	13 1/2" X 64 17/32

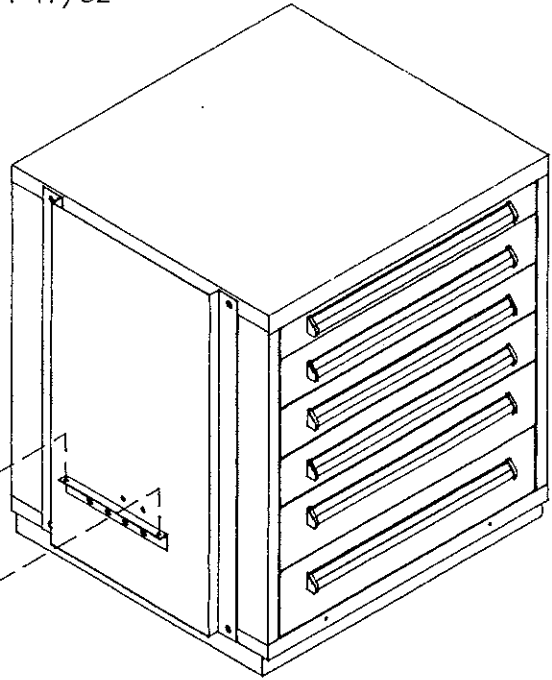
#13154 SCREW



#9502 SUPPORT ANGLE



#7890 CLOSED LEG

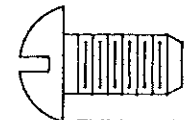


### NOTE

DO NOT TIGHTEN THE BOLTS UNTIL THE WORKCENTER IS COMPLETELY ASSEMBLED.

#13154 TRUSS HD MACH SCREW  
5/16" X 3/4"

#13051 TWIN WHIZZ LOCKNUT  
5/16" - 18  
(4 PER SHELF)



FULL SCALE

# Step

## 4

# STEEL TOP ASSEMBLY

## a. SHIM ANGLE INSTALLATION

### END RAILS (16 GA.)

LEFT HAND	SIZE	RIGHT HAND
#7417L	30" STEEL	#7417R

### NOTE

OPTIONAL END RAILS AND AERIAL SHELF MUST BE ATTACHED AT THIS POINT. IF YOU HAVE AN AERIAL SHELF SEE THOSE INSTALLATION INSTRUCTIONS.

FLANGE UP

FLANGE DOWN

#7433 L.H. SHIM ANGLE

#7433 R.H. SHIM ANGLE

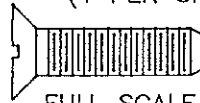
### NOTE

USE OUTSIDE HOLES IN SHIM ANGLE

### NOTE

INSTALL ONE SHIM ANGLE TO THE RIGHT HAND END OF THE TOP IF YOU HAVE THE CABINET TO THE RIGHT. INSTALL ONE SHIM ANGLE TO THE LEFT HAND END OF THE TOP IF YOU HAVE THE CABINET TO THE LEFT. THE NAME "EQUIPTO" IS TO BE TOWARD THE FRONT OF THE BENCH.

#13165 FLAT HEAD BOLT  
1/4" X 1"  
#13131 HEX NUT 1/4"  
(4 PER SHIM)



FULL SCALE

#13154 TRUSS HD MACH SCREW

5/16" X 3/4"

#13051 TWIN WHIZZ LOCKNUT

5/16" - 18

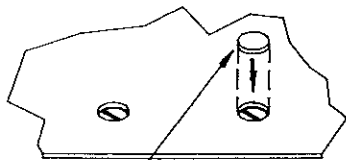
(1 PER END RAIL)



FULL SCALE

## b. STEEL TOP INSTALLATION

FOR HARDBOARD ON STEEL, AFTER TOP IS ATTACHED INSERT PLUGS AS SHOWN.



#10206-3/4" DIA. PLUG

#13165 SCREW

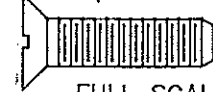
#13153 SCREW

#13165 FLAT HEAD BOLT

1/4" X 1"

#13131 HEX NUT 1/4"

(4 PER LEG)



FULL SCALE

### NOTE

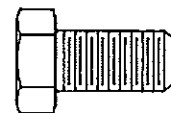
TIGHTEN ALL FASTENERS SECURELY.

### NOTE

THE NAME "EQUIPTO" IS TO BE TOWARD THE FRONT OF THE BENCH.

#13153 HEX HEAD CAP SCREW  
5/16-18 x 3/4"

(2 PER CABINET)



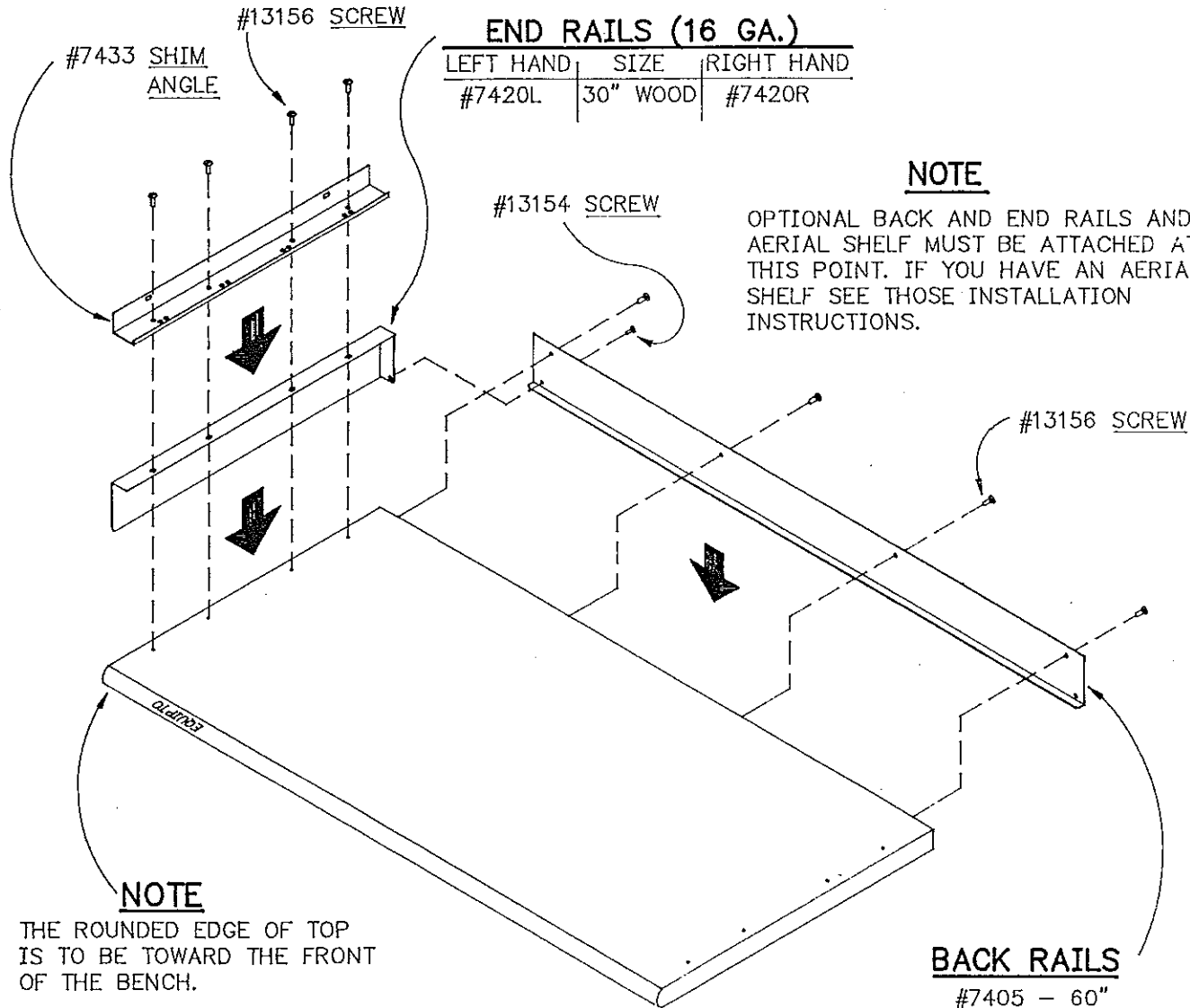
FULL SCALE

# Step

## 5

### WOOD TOP ASSEMBLY

#### a. SHIM ANGLE INSTALLATION



**END RAILS (16 GA.)**

LEFT HAND	SIZE	RIGHT HAND
#7420L	30" WOOD	#7420R

#### NOTE

OPTIONAL BACK AND END RAILS AND AERIAL SHELF MUST BE ATTACHED AT THIS POINT. IF YOU HAVE AN AERIAL SHELF SEE THOSE INSTALLATION INSTRUCTIONS.

#### NOTE

THE ROUNDED EDGE OF TOP IS TO BE TOWARD THE FRONT OF THE BENCH.

#### NOTE

TURN THE WOOD TOP UPSIDE DOWN. AFTER THE BACK RAIL IS IN POSITION AND FASTENED TO THE REAR FLANGES OF THE END RAILS, DRILL 3/16" DIA. X 1" DEEP PILOT HOLES IN THE REAR EDGE OF THE WOOD TOP.

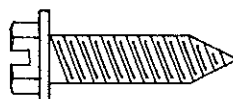
#### NOTE

INSTALL ONE SHIM ANGLE TO THE RIGHT (LEFT) END OF THE TOP IF YOU HAVE A RIGHT (LEFT) HAND CABINET BENCH.

#### BACK RAILS

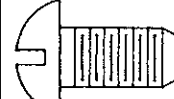
- #7405 - 60"
- #7406 - 72"
- #7411 - 96"

#13156 HEX WASHER HEAD TAPPING SCREW  
1/4" - 14 x 1"  
(4 PER SHIM ANGLE)  
(4 PER BACK RAIL)



FULL SCALE

#13154 TRUSS HD MACH SCREW  
5/16" X 3/4"  
#13051 TWIN WHIZZ LOCKNUT  
5/16" - 18  
(1 PER END RAIL)



FULL SCALE

# Step

# 5

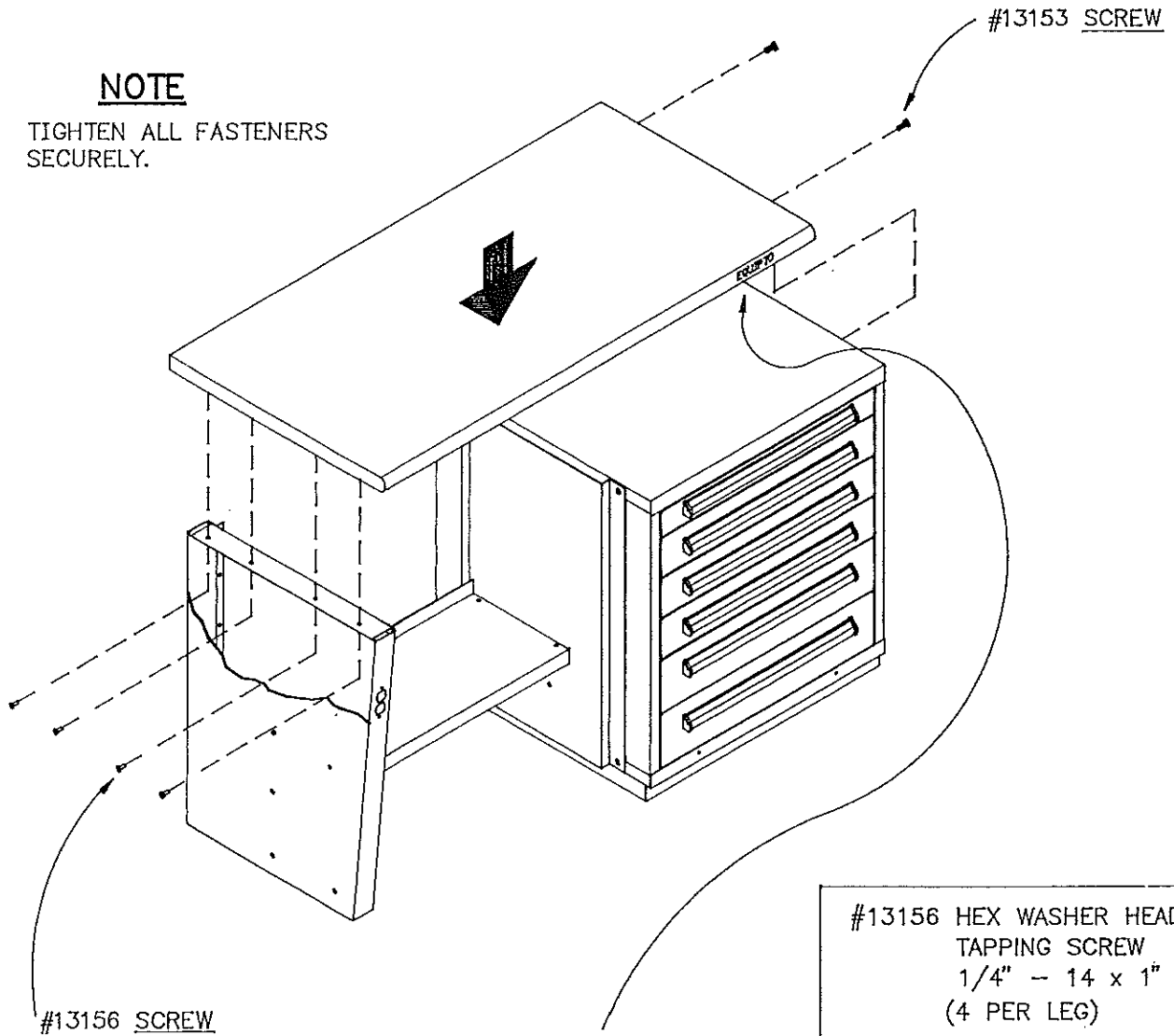
## WOOD TOP ASSEMBLY

(CONTINUATION)

### b. WOOD TOP INSTALLATION

#### NOTE

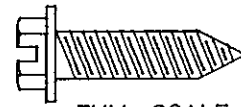
TIGHTEN ALL FASTENERS  
SECURELY.



#### NOTE

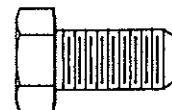
THE ROUNDED EDGE OF TOP  
IS TO BE TOWARD THE FRONT  
OF THE BENCH.

#13156 HEX WASHER HEAD  
TAPPING SCREW  
1/4" - 14 x 1"  
(4 PER LEG)



FULL SCALE

#13153 HEX HEAD CAP SCREW  
5/16-18 x 3/4"  
(2 PER CABINET)



FULL SCALE

# **B** BENCH TOP MATERIALS AVAILABLE

## **1** MATERIALS FOR STEEL TOP

<u>STEEL (12 GA.)</u>			<u>HARDBOARD ON STEEL (12 GA.)</u>		
<u>FLANGE DOWN</u>	<u>SIZE</u>	<u>FLANGE UP</u>	<u>FLANGE DOWN</u>	<u>SIZE</u>	<u>FLANGE UP</u>
#11480D	30" x 60"	#11480	#11498D	30" x 60"	#11498
#11481D	30" x 72"	#11481	#11499D	30" x 72"	#11499
#11482D	30" x 96"	#11482	#11500D	30" x 96"	#11500

## **2** MATERIALS FOR WOOD TOP

### BONDED WOOD 1-3/4" THICK

#### CONDUCTIVE 1-1/4" THICK

#12305 30" x 60"  
 #12306 30" x 72"  
 #12380 30" x 96"

#12348 30" x 60"  
 #12349 30" x 72"  
 #12378 30" x 96"

#### LAMINATED MAPLE 1-3/4" THICK

#12339 30" x 60"  
 #12340 30" x 72"  
 #12376 30" x 96"

### NOTE

SEE ADDITIONAL ACCESSORY INSTRUCTIONS:  
 #51910ASY WORKBENCH DRAWERS  
 #42227 AERIAL SHELF & PICK RACK KITS  
 #42960A-B PRODUCTION BOOSTER AERIAL SHELF

**51530ASY**

© 1991 BY EQUIPTO  
 REPRODUCTION STRICTLY FORBIDDEN