

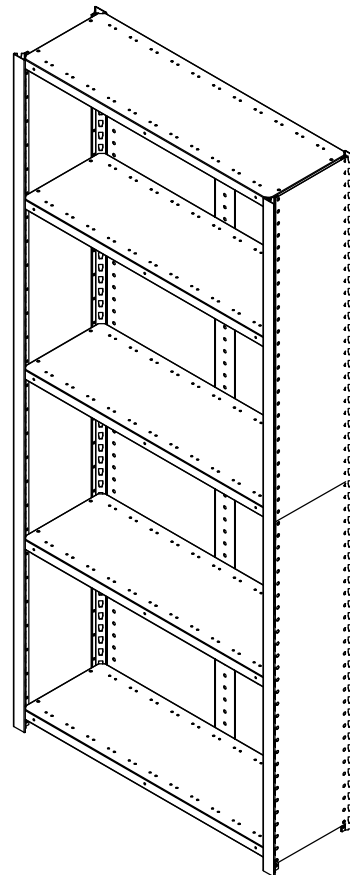
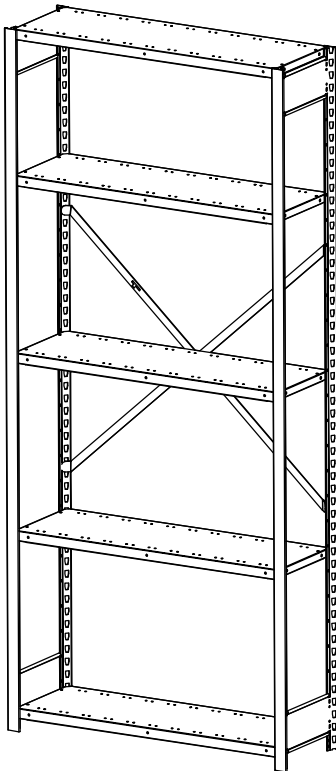
02ASY

---

# EQUIPTO

---

## V-GRIP SHELVING ASSEMBLY INSTRUCTIONS



# TABLE OF CONTENTS

A. <u>SHELF TYPES AND INSTALLATION</u>	3
1. <u>HEAVY DUTY SHELF INSTALLATION</u>	3
a. CORNER REINFORCEMENT INSTALLATION	3
b. HEAVY DUTY SHELF INSTALLATION	3
2. <u>REINFORCED HEAVY DUTY SHELF INSTALLATION</u>	4
a. FRONT AND REAR REINFORCEMENTS	4
b. END REINFORCEMENTS	4
c. CENTER REINFORCEMENT	5
B. <u>SHELVING TYPES AND INSTALLATION</u>	5
1. <u>OPEN TYPE SHELVING</u>	5
a. END FRAME ASSEMBLY	5
b. BOTTOM SHELF INSTALLATION	6
c. BACK SWAY BRACE INSTALLATION	6
d. TOP SHELF INSTALLATION	7
e. DOUBLE ENTRY SHELF INSTALLATION	7
f. BACK-TO-BACK ASSEMBLY	8
g. END-TO-END ASSEMBLY (STARTER/ADD-ON)	8
2. <u>CLOSED TYPE SHELVING</u>	9
a. END FRAME ASSEMBLY	9
b. TOP AND BOTTOM SHELVES INSTALLATION	9
c. BACK PANEL ASSEMBLY	10
d. INTERMEDIATE SHELVES INSTALLATION	11
e. BACK-TO-BACK ASSEMBLY	11
C. <u>OPTIONAL ACCESSORIES</u>	12
1. FRONT BASE ASSEMBLY	12
2. BIN FRONT ASSEMBLY	12
3. DIVIDER ASSEMBLY	13
a. FULL HEIGHT DIVIDERS	13
b. SLIDING DIVIDERS	13
4. HANGER BAR ASSEMBLY	14
5. LABELHOLDER ASSEMBLY	14
6. FOOT PLATE INSTALLATION	15
7. FLOOR ANCHOR INSTALLATION	15
8. SPLICER INSTALLATION	15
9. UPRIGHT CAP AND LEVELER	16
10. SEPARATOR BARS	16
a. WALL SEPARATOR BAR	16
b. UNIT SEPARATOR BAR	16
11. SEISMIC ACCESSORIES	17
a. SEISMIC BACK PANEL INSTALLATION	17
b. SHELF LOCKING CLIP INSTALLATION	18
c. SEISMIC END SWAY BRACE INSTALLATION	18
d. SEISMIC BACK BRACE INSTALLATION	19
e. SEISMIC FLOOR ANCHOR INSTALLATION	20

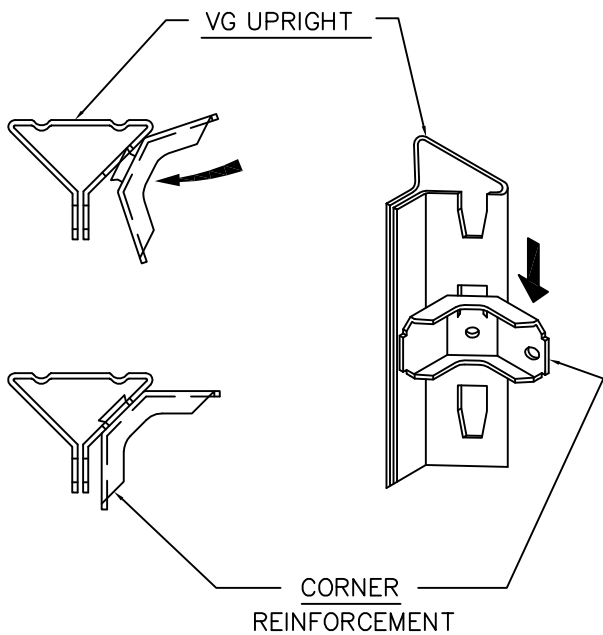
**A**

# SHELF TYPES AND INSTALLATION

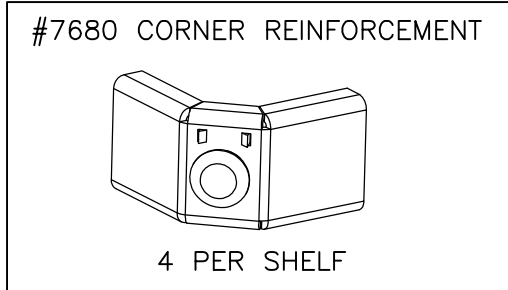
NOTE: SHELF INSTALLATION INFORMATION PROVIDED HERE FOR LATER REFERENCE. SHELVING UNIT ASSEMBLY BEGINS IN SECTION B, ACCORDING TO THE STYLE OF SHELVING PURCHASED.

## 1. HEAVY DUTY SHELF INSTALLATION

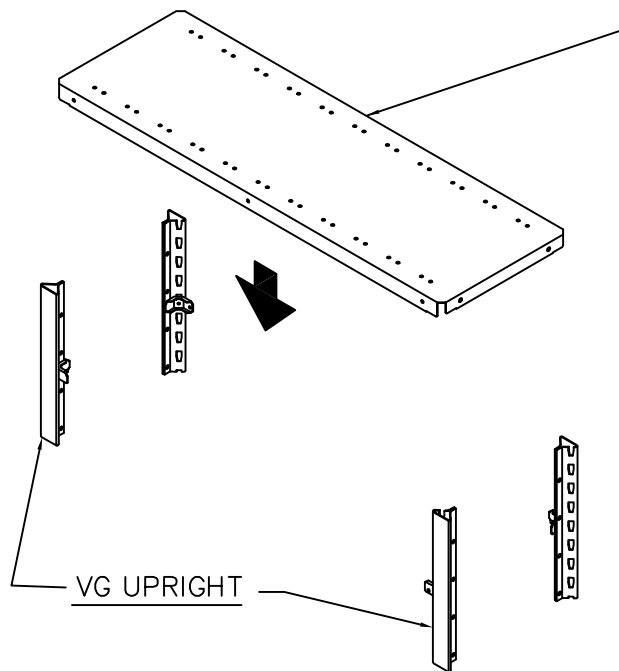
### a. CORNER REINFORCEMENT INSTALLATION



INSERT CORNER REINFORCEMENT INTO EACH OF 4 UPRIGHTS AT THE SAME LEVEL WITH LANCES POINTING UP, PRESS CORNER REINFORCEMENT DOWN UNTIL IT IS LOCKED IN PLACE.



### b. HEAVY DUTY SHELF INSTALLATION

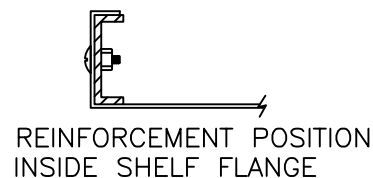
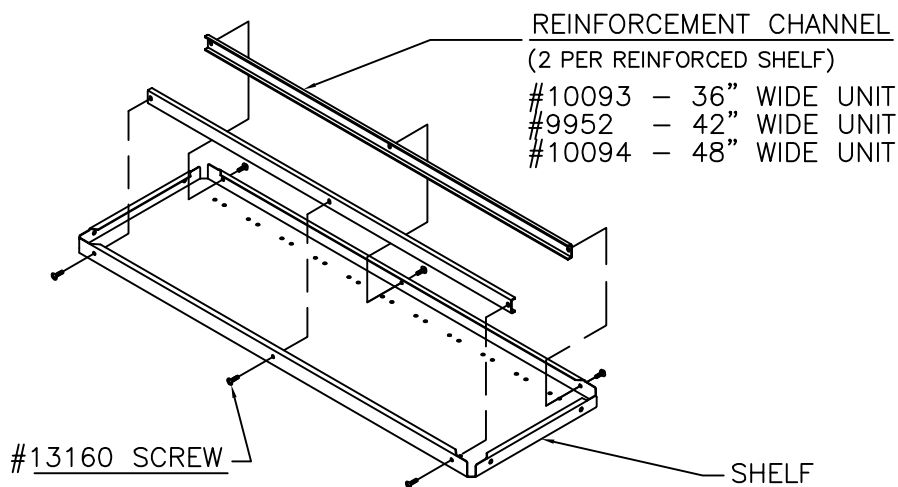


- |       |                       | <u>HEAVY DUTY SHELF</u> |  |
|-------|-----------------------|-------------------------|--|
| #6230 | - 12" DEEP x 36" WIDE |                         |  |
| #6231 | - 18" DEEP x 36" WIDE |                         |  |
| #6232 | - 24" DEEP x 36" WIDE |                         |  |
| #6234 | - 36" DEEP x 36" WIDE |                         |  |
| #6250 | - 12" DEEP x 42" WIDE |                         |  |
| #6251 | - 18" DEEP x 42" WIDE |                         |  |
| #6252 | - 24" DEEP x 42" WIDE |                         |  |
| #6240 | - 12" DEEP x 48" WIDE |                         |  |
| #6241 | - 18" DEEP x 48" WIDE |                         |  |
| #6242 | - 24" DEEP x 48" WIDE |                         |  |

POSITION SHELF BETWEEN FOUR UPRIGHTS AND OVER CORNER REINFORCEMENTS. PUSH DOWNWARD ON EACH OF FOUR CORNERS OF SHELF TO SEAT PROPERLY.

## 2. REINFORCED HEAVY DUTY SHELF INSTALLATION

### a. FRONT AND REAR REINFORCEMENTS (IF PURCHASED—'R' OPTION, E.G. 6232R)

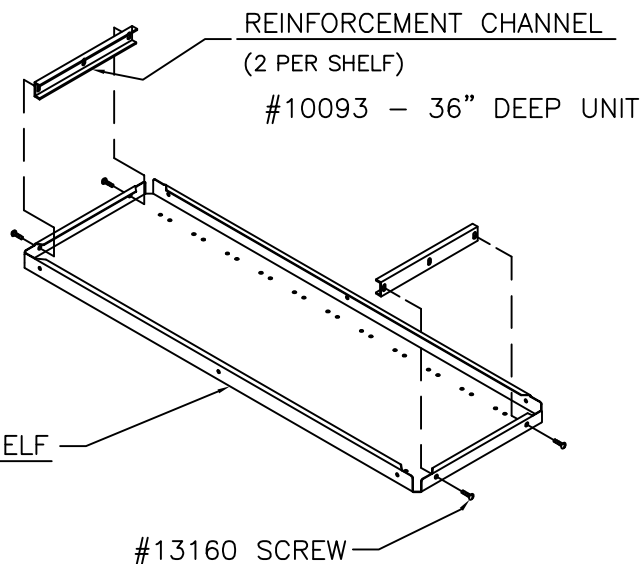
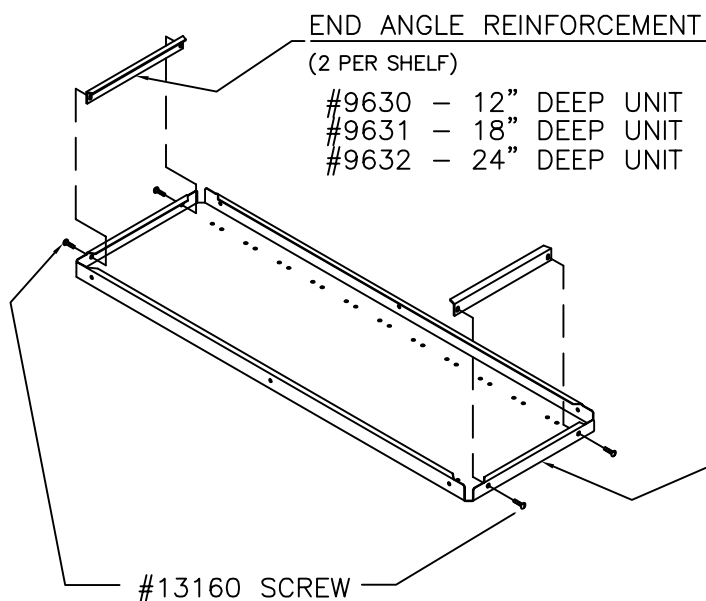


#13160 PHILLIPS HEAD SCREW  
#10-24 X 3/8"  
#13061 #10-24 KEP NUT  
(3 PER REINFORCEMENT)



FULL SCALE

### b. END REINFORCEMENTS (IF PURCHASED, NOT INCLUDED WITH REINFORCED SHELF)



END ANGLE POSITION WHEN  
CENTER REINFORCEMENT IS  
TO BE INSTALLED.



END ANGLE POSITION WHEN  
NO CENTER REINFORCEMENT  
IS TO BE INSTALLED.



NOTE: ON 36"D SHELVES, CENTER  
REINFORCEMENT IS NOT TO BE USED  
WITH #10093 REINFORCEMENT  
CHANNEL THAT IS INSTALLED AS  
END REINFORCEMENT.

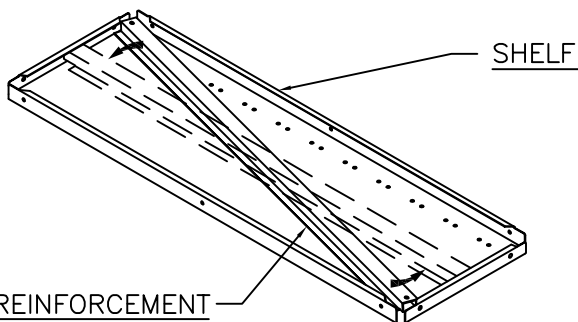
#13160 PHILLIPS HEAD SCREW  
#10-24 X 3/8"  
#13061 #10-24 KEP NUT  
(2 PER REINFORCEMENT)



FULL SCALE

### c. CENTER REINFORCEMENT

(IF PURCHASED, NOT INCLUDED WITH REINFORCED SHELF)



CENTER REINFORCEMENT CHANNEL IS ROTATED INTO PLACE AS SHOWN. POSITION CHANNEL IN MIDDLE OF THE SHELF. NO HARDWARE IS NECESSARY FOR INSTALLATION.

- CENTER REINFORCEMENT
- #10051 - 36" WIDE
  - #10052 - 48" WIDE

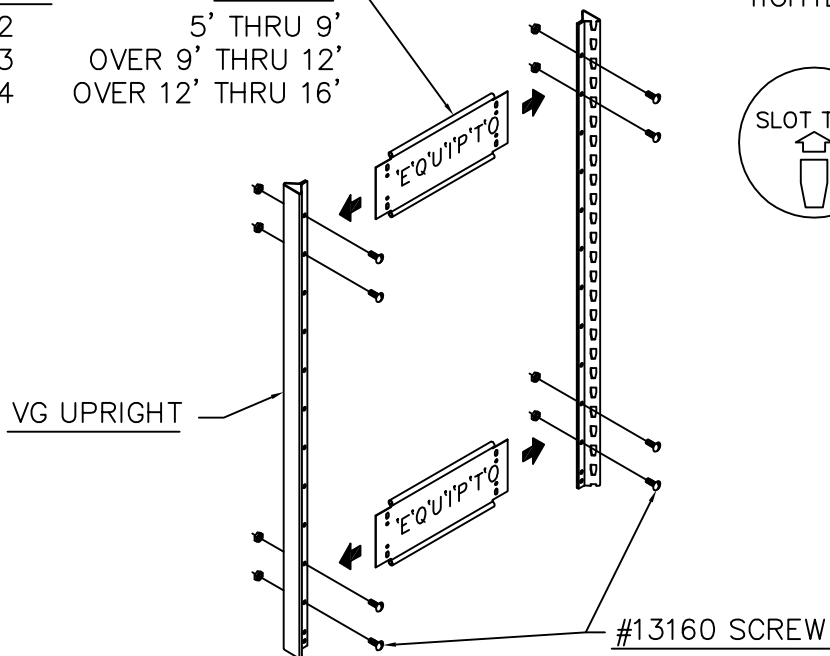
## B SHELVING TYPES AND INSTALLATION

### 1. OPEN TYPE SHELVING

#### a. END FRAME ASSEMBLY

INSERT BRACE PLATE BETWEEN FLANGES OF THE UPRIGHTS AND FASTEN AS SHOWN. MAKE CERTAIN SLOTS IN BOTH UPRIGHTS ARE FACING IN THE SAME DIRECTION BEFORE BOLTING. (SEE SLOT DWG BELOW) MAKE TWO END FRAME ASSEMBLIES. TIGHTEN SCREWS SECURELY.

END BRACE PLATES REQ'D	HEIGHTS
2	5' THRU 9'
3	OVER 9' THRU 12'
4	OVER 12' THRU 16'



- END BRACE PLATES (PAIRS):
- 6412 - 12"
  - 6411 - 15"
  - 6413 - 18"
  - 6414 - 24"
  - 6415 - 36"

- #13160 PHILLIPS HEAD SCREW  
#10-24 X 3/8"
- #13061 #10-24 KEP NUT  
(4 PER END BRACE)

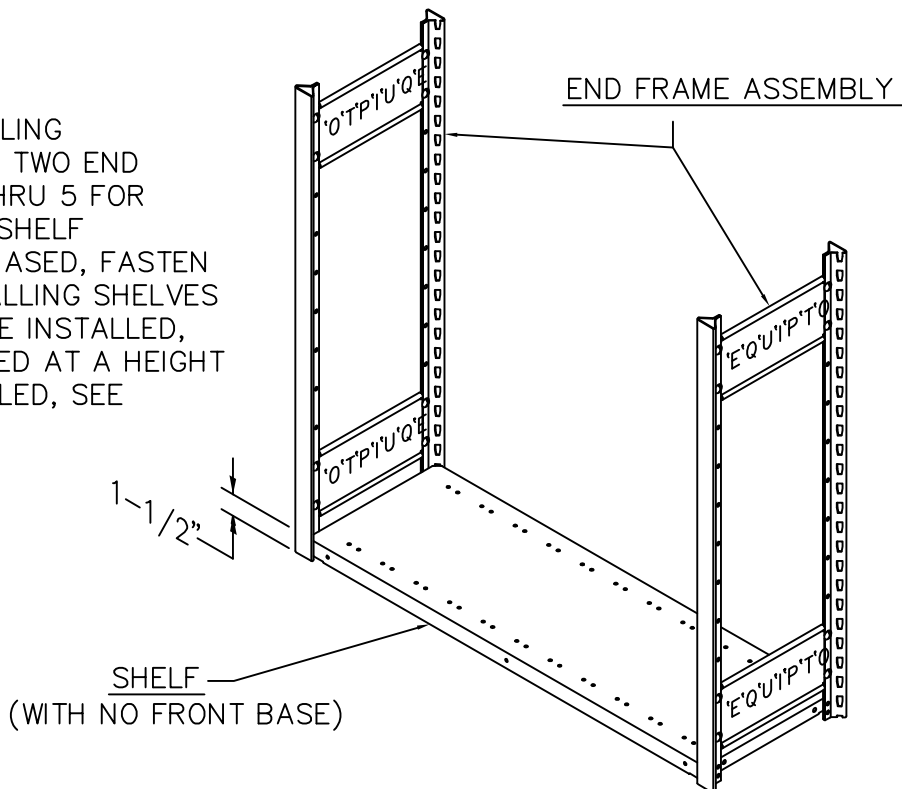


## b. BOTTOM SHELF INSTALLATION

START BUILDING THE UNIT BY INSTALLING THE FIRST SHELF AT THE BOTTOM OF TWO END FRAME ASSEMBLIES. SEE PAGES 3 THRU 5 FOR SHELF TYPES AND INSTALLATION. IF SHELF REINFORCEMENTS HAVE BEEN PURCHASED, FASTEN THEM IN THE SHELVES BEFORE INSTALLING SHELVES ONTO UPRIGHTS. IF NO BASE IS TO BE INSTALLED, THE BOTTOM SHELF WILL BE INSTALLED AT A HEIGHT OF 1-1/2". IF BASE IS TO BE INSTALLED, SEE SECTION C-1.

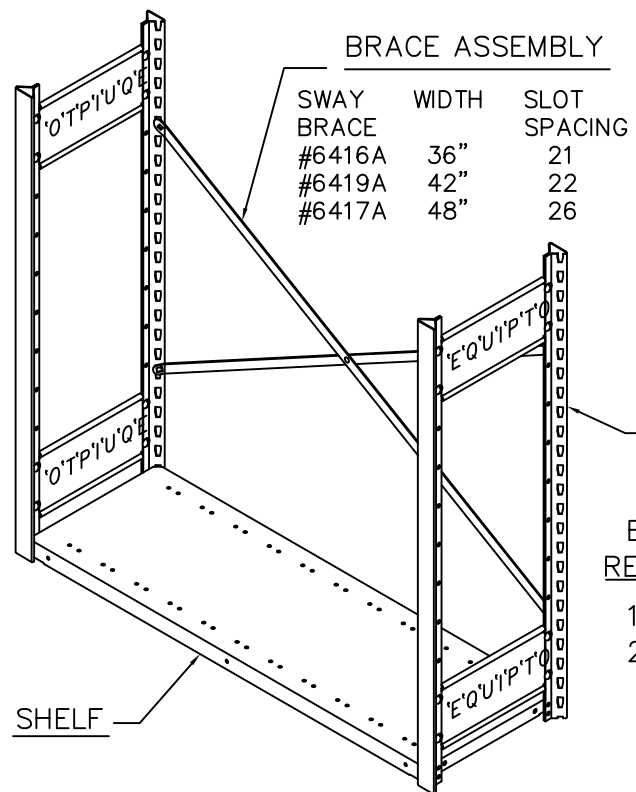
**UPRIGHTS:**

5003-3'	5009-9'
5035-42"	5010-10'
5004-4'	5012-12'
5005-5'	5015-15'
5006-6'	5022-78"
5007-7'	5023-90"
5008-8'	



NOTE: IF SEISMIC FLOOR ANCHORS HAVE BEEN PURCHASED, THEY MUST BE INSTALLED BEFORE ASSEMBLING SHELVES. SEE SECTION C-11e.

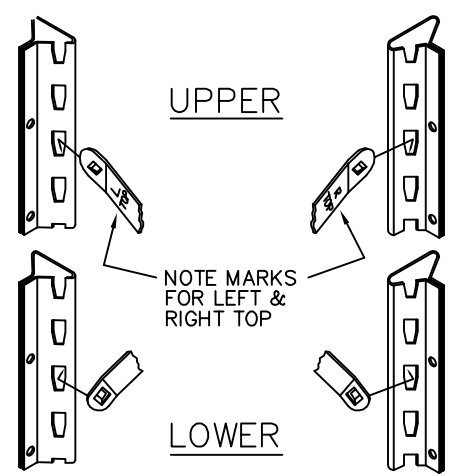
## c. BACK SWAY BRACE INSTALLATION



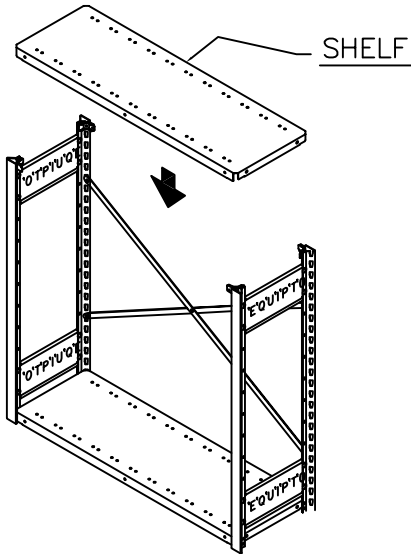
BRACE ASSEMBLY		
SWAY BRACE	WIDTH	SLOT SPACING
#6416A	36"	21
#6419A	42"	22
#6417A	48"	26

HOOK TOP ENDS OF BRACE INTO SLOTS AT THE SAME LEVEL ON BOTH REAR UPRIGHTS. REPEAT THIS HOOKING PROCEDURE WITH THE BOTTOM ENDS OF BRACE. BRACES ARE REQUIRED WITH OPEN SHELVING TO PROVIDE SWAY STABILITY. SEE CHART FOR SLOT SPACING BETWEEN UPPER AND LOWER ENDS OF BRACE.

BACK SWAY BRACES REQ'D	
	HEIGHTS
1	5' THRU 8'
2	OVER 8' THRU 16'



### d. TOP SHELF INSTALLATION

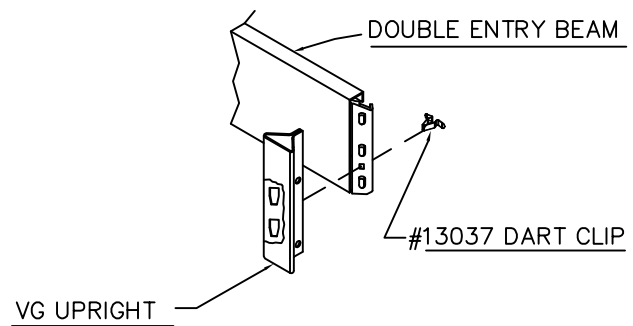
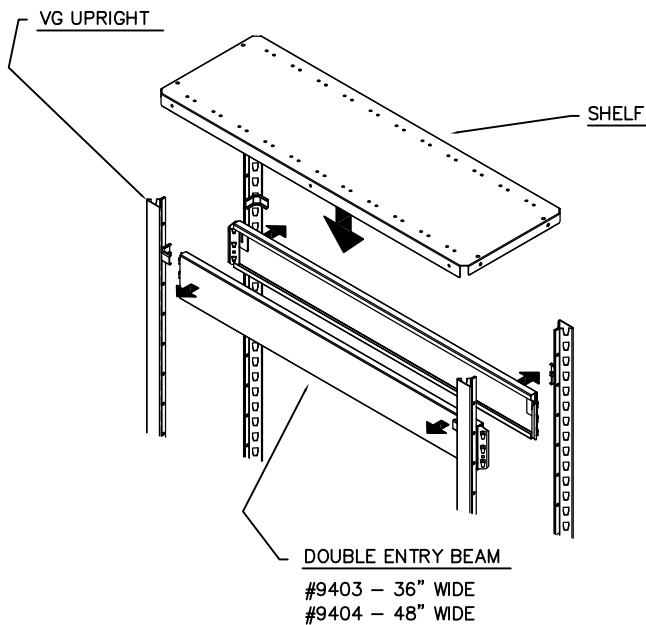


NOTE: ON OPEN SHELVING, BACK SWAY BRACE IS INSTALLED BEFORE TOP SHELF.

POSITION TOP SHELF BETWEEN UPRIGHTS ON CORNER REINFORCEMENTS. PUSH DOWNWARD ON EACH OF FOUR CORNERS OF SHELF TO SEAT PROPERLY. COMPLETE UNIT ASSEMBLY BY INSTALLING REMAINING SHELVES.

### e. DOUBLE ENTRY SHELF INSTALLATION

NOTE: DOUBLE ENTRY BEAMS PROVIDE AN ALTERNATIVE TO BACK SWAY BRACES ON OPEN SHELVING. WITH DOUBLE ENTRY BEAMS, SHELF CONTENTS CAN BE ACCESSED FROM BOTH SIDES OF SHELVING UNIT. WITH THE USE OF FLOOR ANCHORS, IT IS SUFFICIENT TO USE ONE PAIR OF DOUBLE ENTRY BEAMS JUST BELOW THE TOP SHELF. WITH NO FLOOR ANCHORS, AN ADDITIONAL SET OF BEAMS IS REQUIRED BENEATH A LOWER SHELF.



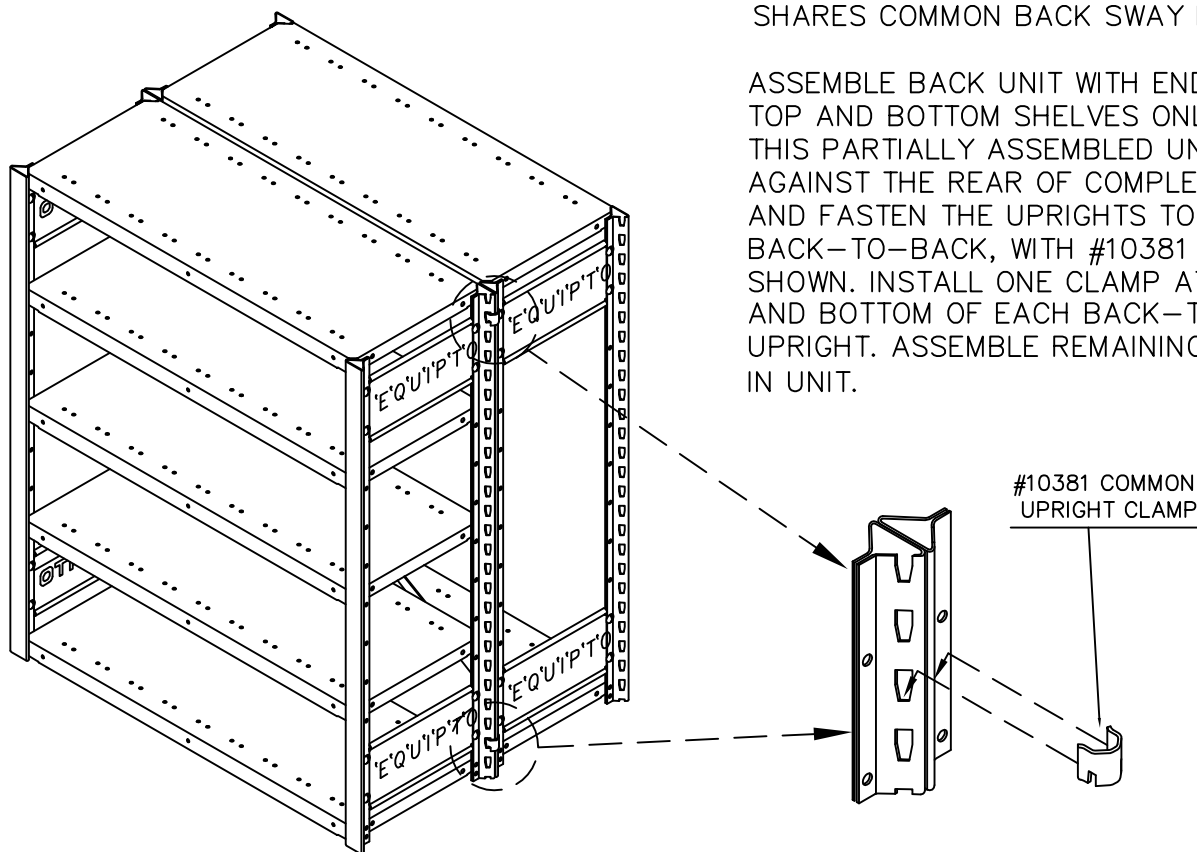
#13037 V-GRIP DART CLIP  
(2 PER BEAM)

POSITION DOUBLE ENTRY BEAM INSIDE UPRIGHTS. PULL BEAM FORWARD UNTIL LANCING ON ENDS ENGAGES SLOTS IN UPRIGHTS. PUSH DOWNWARD AND SECURE CROSS BEAM IN PLACE WITH #13037 DART CLIP. INSTALL SHELF ON TOP OF TWO BEAMS.

## f. BACK-TO-BACK ASSEMBLY

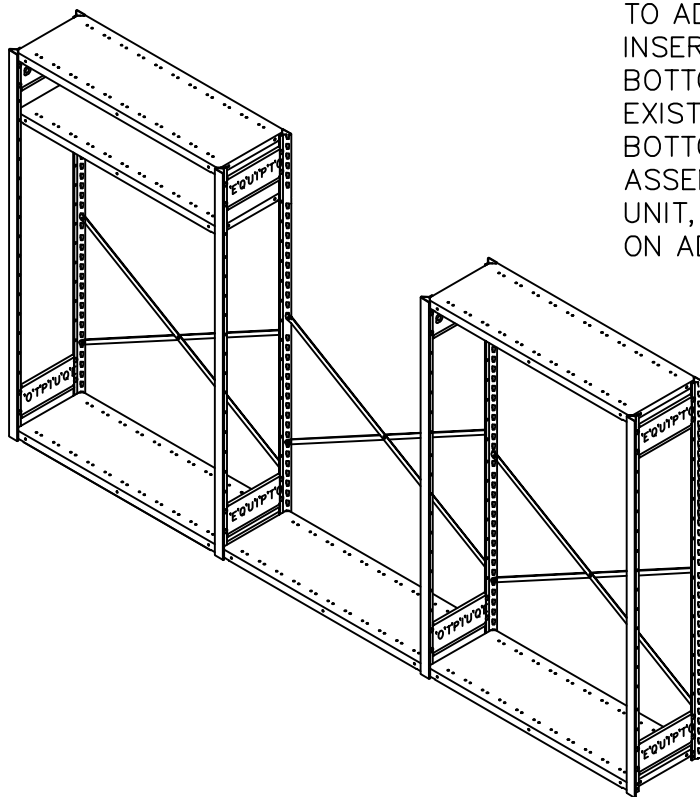
NOTE: BACK-TO-BACK OPEN SHELVING SHARES COMMON BACK SWAY BRACES.

ASSEMBLE BACK UNIT WITH END FRAMES, TOP AND BOTTOM SHELVES ONLY. STAND THIS PARTIALLY ASSEMBLED UNIT UP AGAINST THE REAR OF COMPLETED UNIT AND FASTEN THE UPRIGHTS TOGETHER, BACK-TO-BACK, WITH #10381 CLAMP AS SHOWN. INSTALL ONE CLAMP AT THE TOP AND BOTTOM OF EACH BACK-TO-BACK UPRIGHT. ASSEMBLE REMAINING SHELVES IN UNIT.



## g. END-TO-END ASSEMBLY (STARTER WITH ONE OR MORE ADD-ON UNITS)

TO ADD ADDITIONAL SHELVING UNITS IN A ROW, INSERT CORNER REINFORCEMENTS FOR THE BOTTOM SHELF ON THE OPPOSITE SIDE OF THE EXISTING SHELVING UPRIGHTS. ATTACH THE BOTTOM SHELF TO AN ADDITIONAL END FRAME ASSEMBLY. INSTALL SWAY BRACE ON 2ND UNIT, AND CONTINUE WITH SHELVING ASSEMBLY ON ADD-ON UNIT.

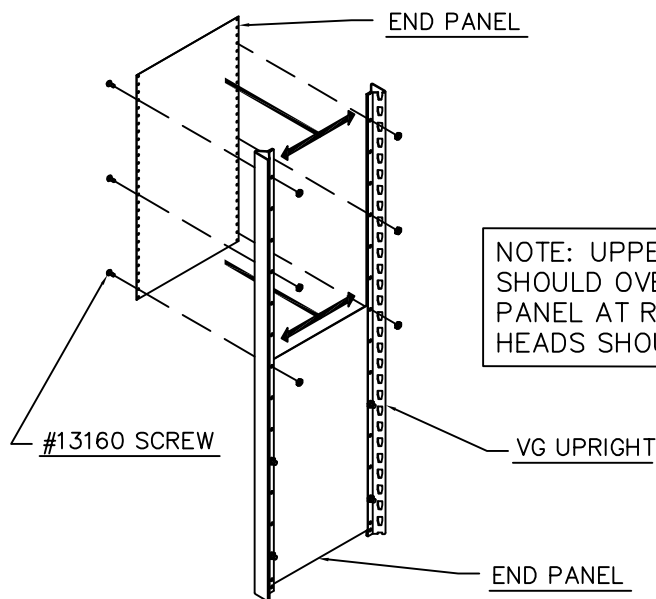


BACK SWAY BRACES ARE VERTICALLY STAGGERED ON ALTERNATE END-TO-END UNITS FOR ROW STABILITY.



## 2. CLOSED TYPE SHELVING

### a. END FRAME ASSEMBLY



NOTE: UPPER END PANEL SHOULD OVERLAP LOWER END PANEL AT ROW ENDS. SCREW HEADS SHOULD FACE AISLES.



INSERT END PANELS BETWEEN FLANGES OF THE UPRIGHTS AS SHOWN. END PANELS WILL OVERLAP IN ORDER TO FIT THE HEIGHT OF THE UNIT. MAKE CERTAIN SLOTS IN BOTH UPRIGHTS ARE FACING IN THE SAME DIRECTION BEFORE BOLTING. (SEE SLOT DWG BELOW) MAKE TWO END FRAME ASSEMBLIES. DO NOT TIGHTEN BOLTS UNTIL EACH UNIT IS COMPLETELY ASSEMBLED.

#13160 PHILLIPS HEAD SCREW  
#10-24 X 3/8"  
#13061 #10-24 KEP NUT  
(5 PER END PANEL)  
(OVERLAPPING PANELS SHARE HARDWARE)



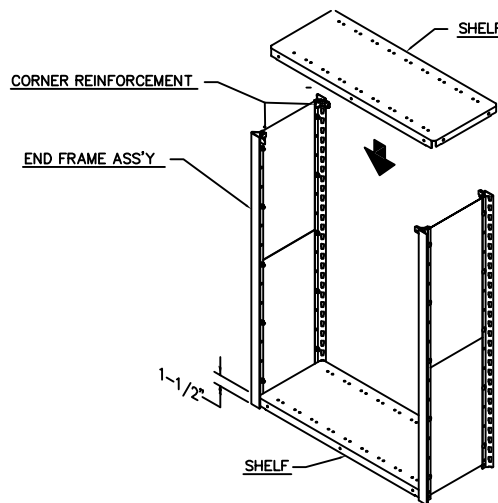
FULL SCALE

### b. TOP AND BOTTOM SHELVES INSTALLATION

NOTE: ON CLOSED SHELVING, TOP SHELF IS INSTALLED BEFORE BACK PANELS.

START BUILDING THE UNIT BY INSTALLING THE FIRST SHELF AT THE BOTTOM OF TWO END FRAME ASSEMBLIES. SEE PAGES 3 THRU 5 FOR SHELF TYPES AND INSTALLATION. IF SHELF REINFORCEMENTS HAVE BEEN PURCHASED, FASTEN THEM IN THE SHELVES BEFORE INSTALLING SHELVES ONTO UPRIGHTS. IF NO FRONT BASE IS TO BE INSTALLED, THE BOTTOM SHELF WILL BE INSTALLED AT A HEIGHT OF 1-1/2". IF BASE IS TO BE INSTALLED, SEE SECTION C-1.

POSITION TOP SHELF BETWEEN UPRIGHTS ON CORNER REINFORCEMENTS. PUSH DOWNWARD ON EACH CORNER OF SHELF TO SEAT PROPERLY.

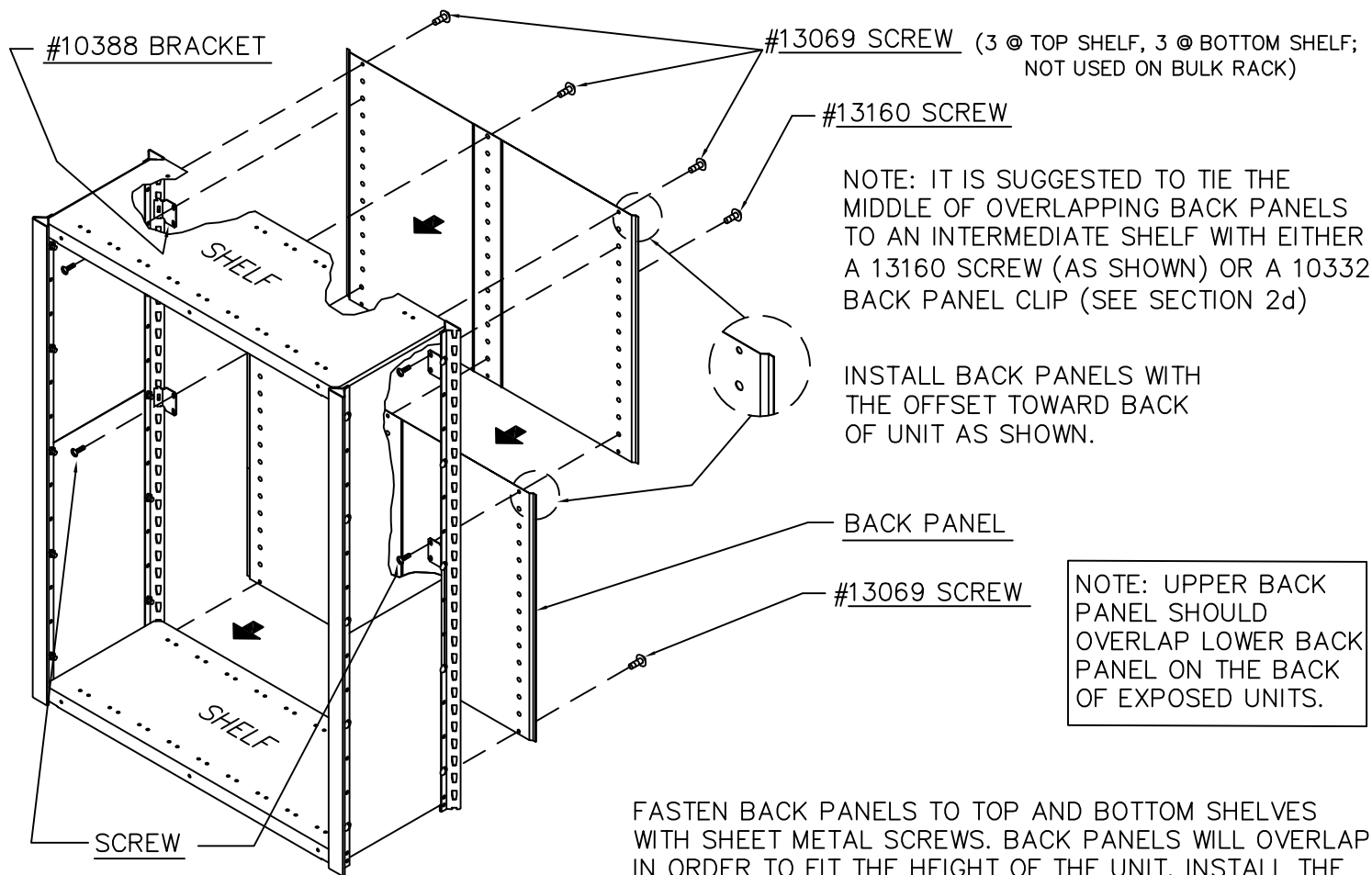


NOTE: IF SEISMIC FLOOR ANCHORS HAVE BEEN PURCHASED, THEY MUST BE INSTALLED BEFORE ASSEMBLING SHELVES. SEE SECTION C-11e.

END PANELS					BACK PANELS		
DEPTH	12"	18"	24"	36"			
WIDTH					36"	42"	48"
UP TO 84"	6796-2	6797-2	6798-2	6800-2	7588-2	7585-2	7589-2
OVER 84" TO 120"	6796-3	6797-3	6798-3	6800-3	7588-3	7585-3	7589-3
OVER 120" TO 168"	6796-4	6797-4	6798-4	6800-4	7588-4	7585-4	7589-4
OVER 168" TO 210"	6796-5	6797-5	6798-5	6800-5	7588-5	7585-5	7589-5

# c. BACK PANEL ASSEMBLY (FOR SEISMIC INSTALLATION, SEE SECTION C-11a)

NOTE: IF TOP AND BOTTOM SHELVES ARE REINFORCED, DO NOT USE #13069 SCREW, USE SHELF REINFORCEMENT HARDWARE TO ATTACH BACK PANEL.

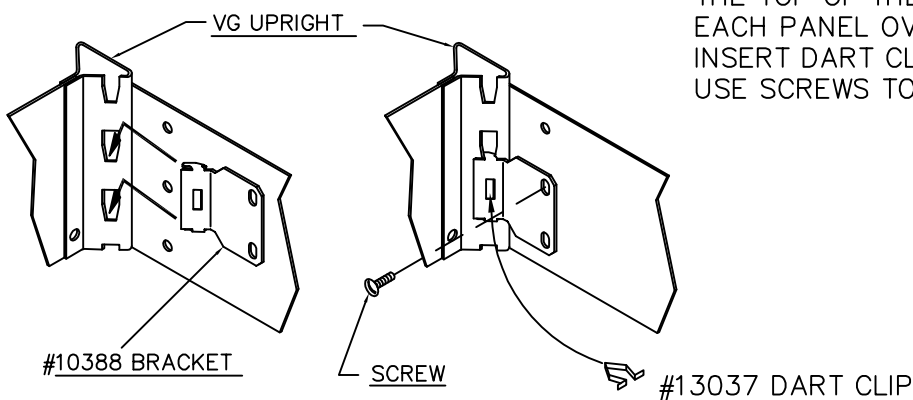


NOTE: IT IS SUGGESTED TO TIE THE MIDDLE OF OVERLAPPING BACK PANELS TO AN INTERMEDIATE SHELF WITH EITHER A 13160 SCREW (AS SHOWN) OR A 10332 BACK PANEL CLIP (SEE SECTION 2d)

INSTALL BACK PANELS WITH THE OFFSET TOWARD BACK OF UNIT AS SHOWN.

NOTE: UPPER BACK PANEL SHOULD OVERLAP LOWER BACK PANEL ON THE BACK OF EXPOSED UNITS.

FASTEN BACK PANELS TO TOP AND BOTTOM SHELVES WITH SHEET METAL SCREWS. BACK PANELS WILL OVERLAP IN ORDER TO FIT THE HEIGHT OF THE UNIT. INSTALL THE 10388 BRACKETS AT THE SAME HEIGHT ON BOTH REAR UPRIGHTS IN THE FOLLOWING MANNER: ONE PAIR NEAR THE TOP OF THE UPRIGHTS, ONE PAIR AT THE CENTER OF EACH PANEL OVERLAP, AND ONE PAIR NEAR THE BOTTOM. INSERT DART CLIPS TO LOCK BRACKETS INTO UPRIGHTS. USE SCREWS TO FASTEN PANELS TO BRACKETS.

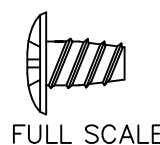


NOTE: IF THERE IS A LARGE OVERLAP OF BACK PANELS, IT MAY BE NECESSARY TO INSTALL (2) PAIRS OF BRACKETS AT OVERLAP.

#13139 PHILLIPS HEAD SCREW  
#10-24 X 3/4"  
#13061 #10-24 KEP NUT  
(1 PER BRACKET)

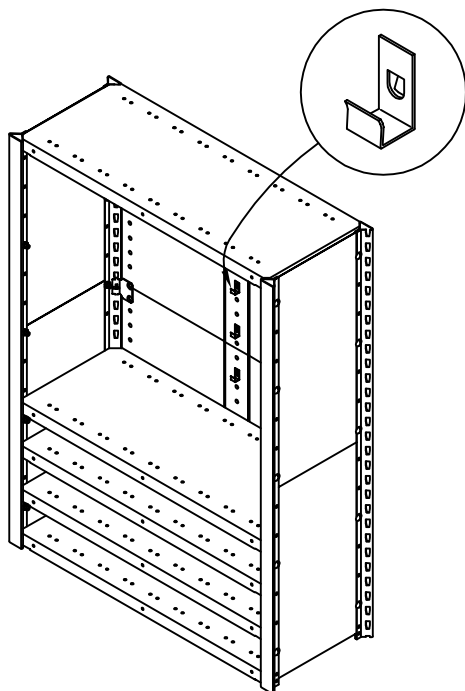


#13069 BLUNT TAP SH MET SCREW  
1/4"-14 X 3/8"  
(3 PER SHELF,  
TOP AND BOTTOM ONLY)



## d. INTERMEDIATE SHELVES INSTALLATION

### #10332 BACK PANEL CLIP (OPTIONAL)



NOTE: BACK PANEL CLIPS HELP TO TIE THE INTERMEDIATE SHELVES TO THE BACK PANEL. THEIR USE IS SUGGESTED WHERE THE BACK OF THE CLOSED SHELVING IS EXPOSED TO THE ROOM OR TO AN AISLE.

POSITION ONE BACK PANEL CLIP ON THE BACK PANEL AT PREDETERMINED INTERMEDIATE SHELF LOCATIONS. COMPLETE THE UNIT BY INSERTING CORNER REINFORCEMENTS AND INSTALLING THE REMAINING SHELVES.

TIGHTEN ALL BOLTS SECURELY.

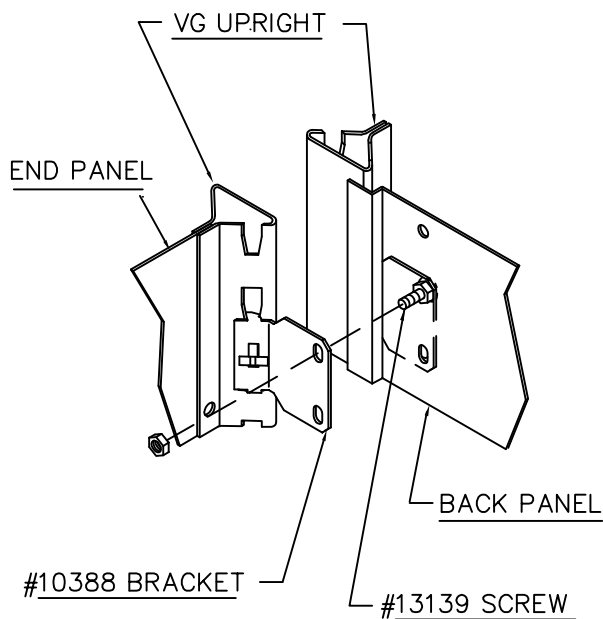
## e. BACK-TO-BACK ASSEMBLY

BACK-TO-BACK CLOSED SHELVING SHARES COMMON BACK PANELS.

ASSEMBLE 2ND (OR "REAR") SHELVING UNIT WITH TWO END FRAMES, TOP AND BOTTOM SHELVES ONLY. STAND THIS PARTIALLY COMPLETED UNIT UP AGAINST REAR OF COMPLETED UNIT. INSTALL ONE PAIR OF #10388 BACK PANEL BRACKETS AT THE SAME VERTICAL LOCATION AS THE TOP BRACKETS OF THE "FRONT" UNIT. INSERT #13139 SCREW THROUGH BOTH BACK PANEL BRACKETS IN UNUSED HOLE, AND SECURE WITH #13061 NUT.

INSTALL AN ADDITIONAL PAIR OF #10388 BACK PANEL BRACKETS IN THE SAME MANNER FOR ANY ADDITIONAL BACK PANELS. FOR EXAMPLE, IF A 7'H UNIT HAS TWO PANELS, (2) PAIRS OF #10388 BRACKETS ARE INSTALLED ON THE "REAR" UNIT; IF AN 8'H UNIT HAS 3 PANELS, (3) PAIRS ARE INSTALLED.

TIGHTEN ALL HARDWARE SECURELY. INSTALL REMAINING SHELVES IN "BACK" UNIT.



#13139 PHILLIPS HEAD SCREW  
#10-24 X 3/4"  
#13061 #10-24 KEP NUT  
(1 PER BRACKET)

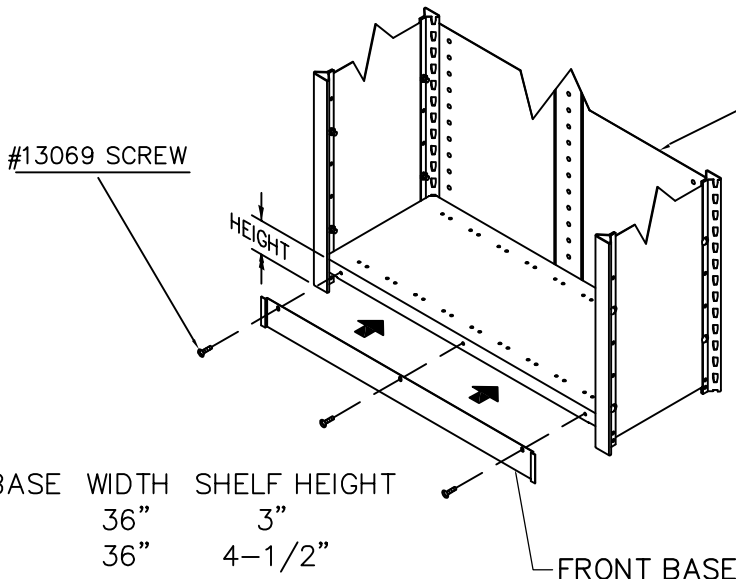


C

# OPTIONAL ACCESSORIES

NOTE: INSTALLATION OF OPTIONAL ACCESSORIES SUCH AS FRONT BASES, BIN FRONTS AND LABEL HOLDERS IN REINFORCED SHELVES MAY USE SAME HARDWARE. SOME DISASSEMBLY AND REASSEMBLY MAY BE REQUIRED.

## 1. FRONT BASE ASSEMBLY (ALSO REFERRED TO AS "KICK PLATE")



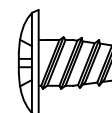
SHELVING UNIT

NOTE: FRONT BASE WILL DICTATE LOCATION OF BOTTOM SHELF. SEE CHART BELOW.

ATTACH FRONT BASE TO BOTTOM SHELF (THAT HAS ALREADY BEEN INSTALLED AT BASE HEIGHT) USING TAP SCREWS PROVIDED.

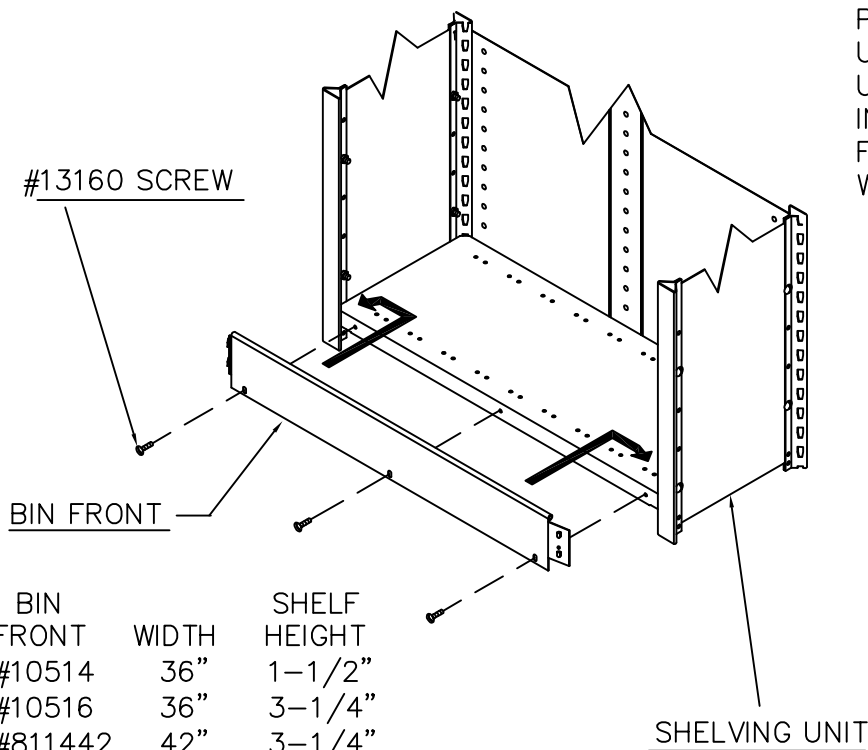
FRONT BASE	WIDTH	SHELF HEIGHT
#6803	36"	3"
#6804	36"	4-1/2"
#010136	42"	3"
#6807	42"	4-1/2"
#6805	48"	3"
#6706	48"	4-1/2"

#13069 BLUNT TAP SH MET SCREW  
1/4"-14 X 3/8"  
(3 PER BASE)



FULL SCALE

## 2. BIN FRONT ASSEMBLY



POSITION BIN FRONT INSIDE FRONT UPRIGHTS. PULL BIN FRONT FORWARD UNTIL LANCING ON ENDS ENGAGES SLOTS IN UPRIGHTS. PUSH DOWNWARD AND FASTEN TO FRONT FLANGE OF SHELF WITH #13160 SCREWS AS SHOWN.

NOTE: BIN FRONTS MUST BE IN PLACE BEFORE STATIONARY DIVIDERS ARE INSTALLED. SLIDING DIVIDERS CANNOT BE USED WITH BIN FRONTS.

BIN FRONT	WIDTH	SHELF HEIGHT
#10514	36"	1-1/2"
#10516	36"	3-1/4"
#811442	42"	3-1/4"
#10515	48"	1-1/2"
#10517	48"	3-1/4"

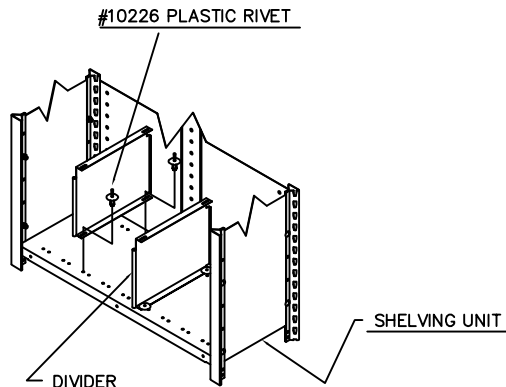
#13160 PHILLIPS HEAD SCREW  
#10-24 X 3/8"  
#13061 #10-24 KEP NUT  
(3 PER BIN FRONT)



FULL SCALE

# 3. DIVIDER ASSEMBLY

## a. FULL HEIGHT DIVIDERS (STATIONARY DIVIDERS)



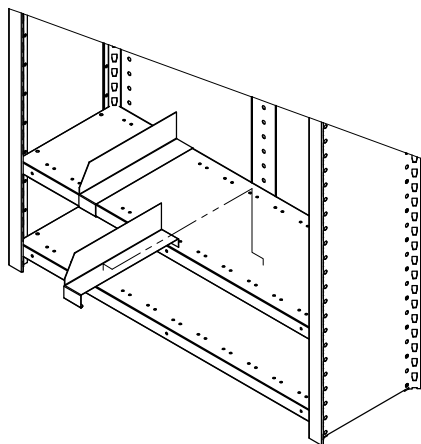
DIVIDERS ARE POSITIONED ON THE SHELF WITH ROUNDED BEAD POINTED TOWARD FRONT OF UNIT AS SHOWN. INSERT (2) #10226 PLASTIC RIVETS INTO THE FLANGE SLOTS AND GENTLY TAP STEM ALL THE WAY DOWN. FULL HEIGHT DIVIDERS MUST BE ATTACHED TO BOTH UPPER AND LOWER SHELVES. IF DIVIDERS ARE PLACED ABOVE ONE ANOTHER THEY SHARE COMMON RIVETS.

DIVIDER	SHELF OPENING(IN)	ACTUAL HEIGHT(IN)	DEPTH(IN)	DIVIDER	SHELF OPENING(IN)	ACTUAL HEIGHT(IN)	DEPTH(IN)
8018	3.0	4.438	12.0	8096	7.5	8.938	18.0
8019	4.5	5.938	12.0	8097	9.0	10.438	18.0
8020	6.0	7.438	12.0	8098	10.5	11.938	18.0
8021	7.5	8.938	12.0	8099	12.0	13.438	18.0
8022	9.0	10.438	12.0	8119	4.5	5.938	24.0
8023	10.5	11.938	12.0	8120	6.0	7.438	24.0
8024	12.0	13.438	12.0	8121	7.5	8.938	24.0
8090	3.0	4.438	18.0	8122	9.0	10.438	24.0
8094	4.5	5.938	18.0	8123	10.5	11.938	24.0
8095	6.0	7.438	18.0	8124	12.0	13.438	24.0

NOTE: TO AVOID BREAKAGE, BE SURE TO GENTLY TAP FROM DIRECTLY ABOVE.

NOTE: ADDITIONAL DIVIDER SIZES MAY BE AVAILABLE; CONTACT EQUIPTO INSIDE SALES

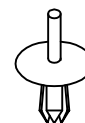
## b. SLIDING DIVIDERS



DIVIDER	SHELF OPENING(IN)	ACTUAL HEIGHT(IN)	DEPTH(IN)
8110	12	2.75	12
8111	12	4.25	12
8112	12	5.75	12
8113	12	7.25	12
8103	18	2.75	18
8104	18	4.25	18
8105	18	5.75	18
8106	18	7.25	18
8114	24	2.75	24
8115	24	4.25	24
8116	24	5.75	24
8117	24	7.25	24

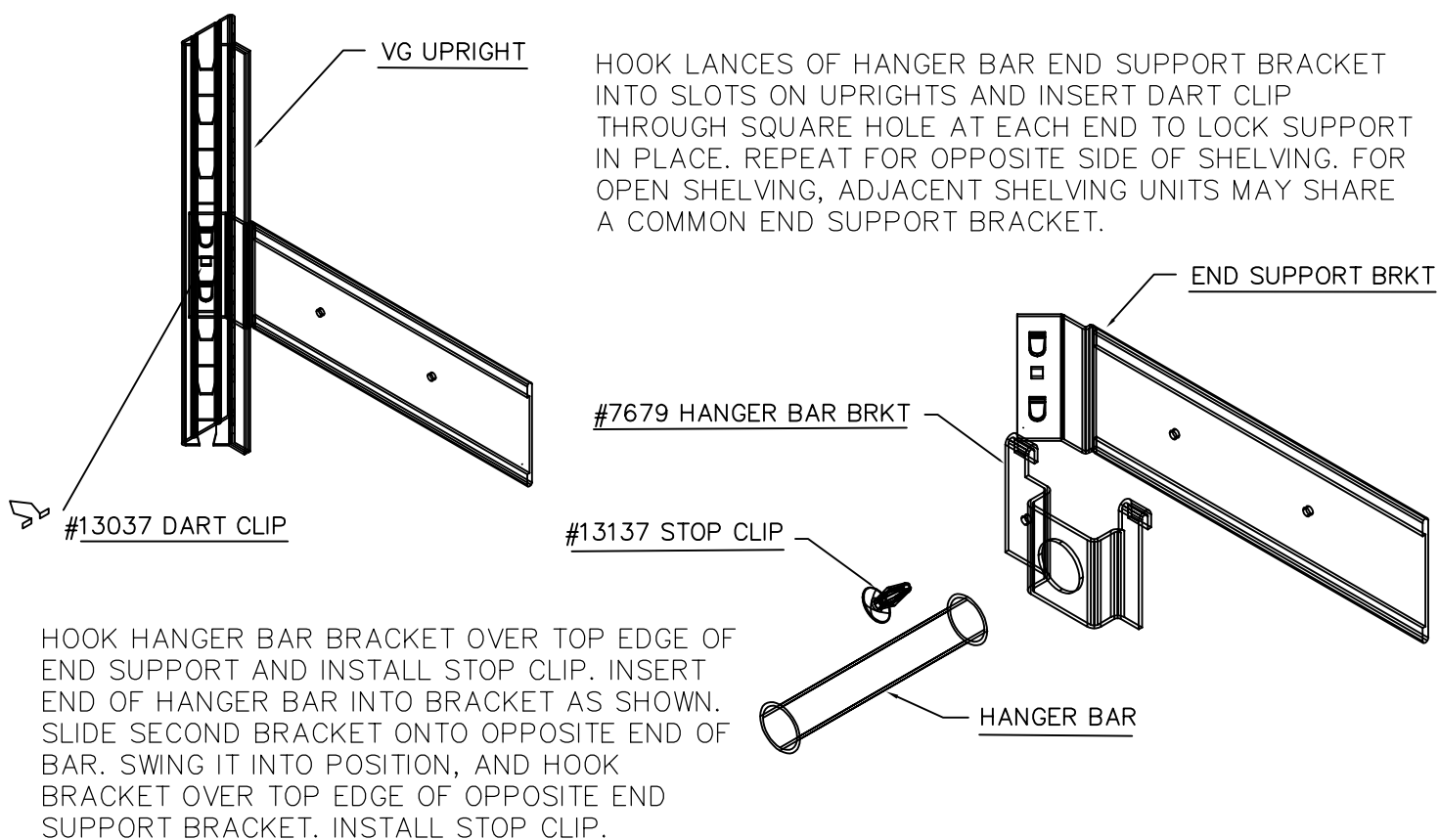
PLACE FRONT EDGE OF DIVIDER OVER FRONT FLANGE OF SHELF. LOWER REAR FLANGE OF DIVIDER OVER BACK OF SHELF.

#10226 PLASTIC DRIVE RIVET  
(4 PER DIVIDER)

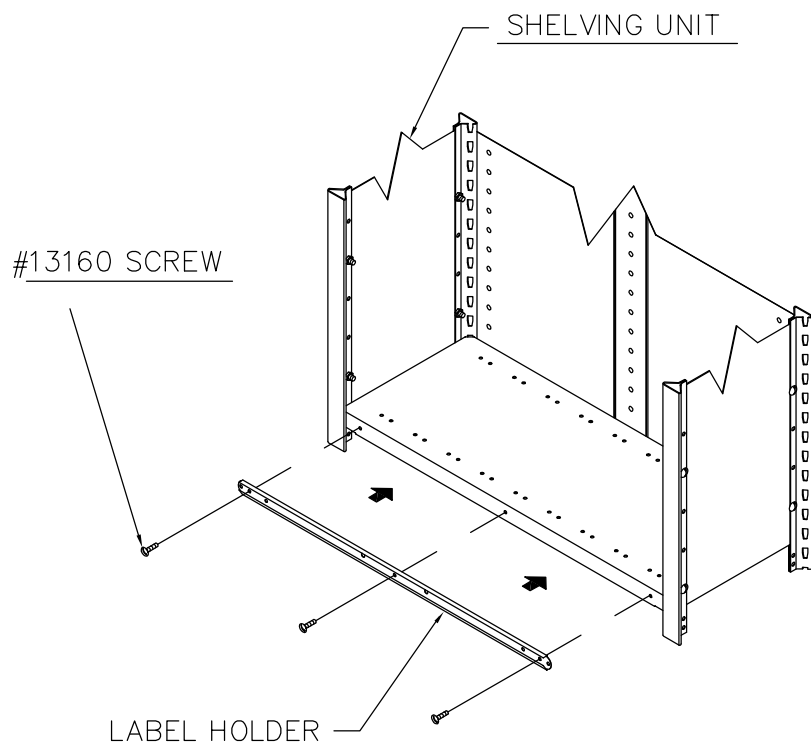


FULL SCALE

## 4. HANGER BAR ASSEMBLY



## 5. LABEL HOLDER ASSEMBLY



ATTACH LABEL HOLDER TO FRONT OF SHELVES WITH 3 SCREWS/NUTS PROVIDED.

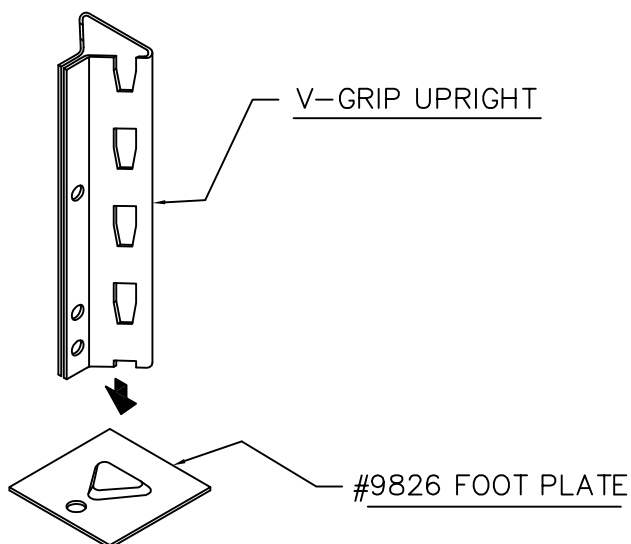
NOTE: LABEL MATERIALS NOT PROVIDED WITH LABEL HOLDER.

#6615 1-1/8" HIGH X 34" WIDE  
 #6613 1-1/8" HIGH X 46" WIDE

- #13160 PHILLIPS HEAD SCREW  
#10-24 X 3/8"
- #13061 #10-24 KEP NUT  
(3 PER LABEL HOLDER)

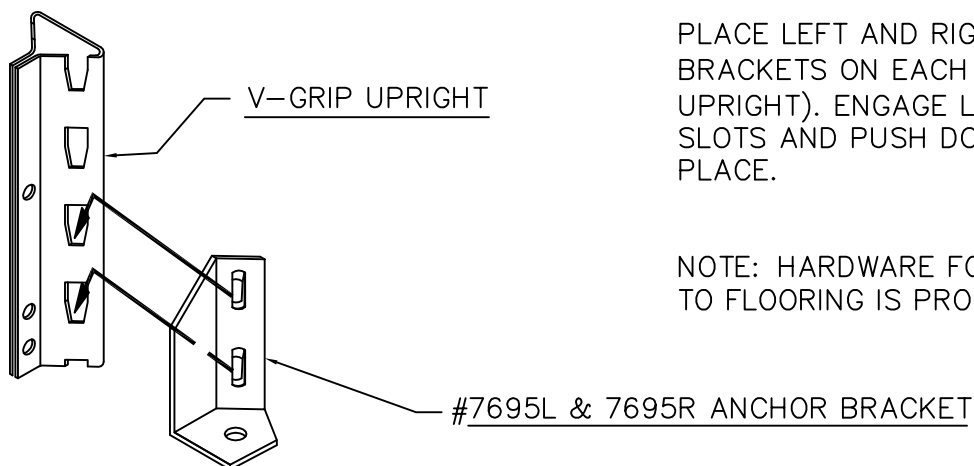


## 6. FOOT PLATE INSTALLATION



THIS OPTIONAL FLOOR PLATE IS INSERTED UNDER EACH V-GRIP UPRIGHT TO PROVIDE EXTRA PROTECTION FOR LINOLEUM OR FINE WOOD FLOORS.

## 7. FLOOR ANCHOR INSTALLATION

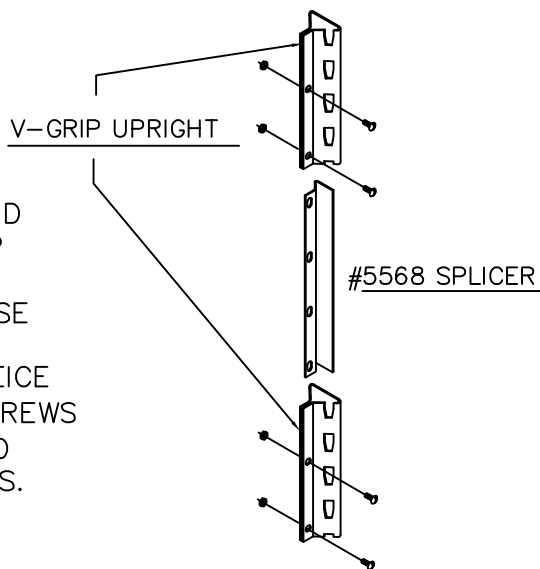


PLACE LEFT AND RIGHT FLOOR ANCHOR BRACKETS ON EACH UPRIGHT (ONE PER UPRIGHT). ENGAGE LANCES IN UPRIGHT SLOTS AND PUSH DOWN TO SECURE IN PLACE.

NOTE: HARDWARE FOR ANCHORING BRACKETS TO FLOORING IS PROVIDED BY OTHERS.

## 8. SPLICER INSTALLATION

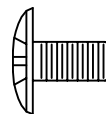
INSERT SPLICER INTO TOP AND BOTTOM OF STACKED V-GRIP UPRIGHTS TO PROVIDE RIGID SUPPORT NEEDED FOR HI-RISE STORAGE, OR FOR UPRIGHT HEIGHTS THAT REQUIRE 2-PIECE SPLICING. USE (4) #13134 SCREWS AND (4) #13061 KEP NUTS TO FASTEN SPLICER TO UPRIGHTS.



NOTE: 5568BS SPLICER IS AVAILABLE FOR BULK RACK WITH SHELVING APPLICATIONS.

#13134 PHILLIPS HEAD SCREW  
#10-24 X 1/2"

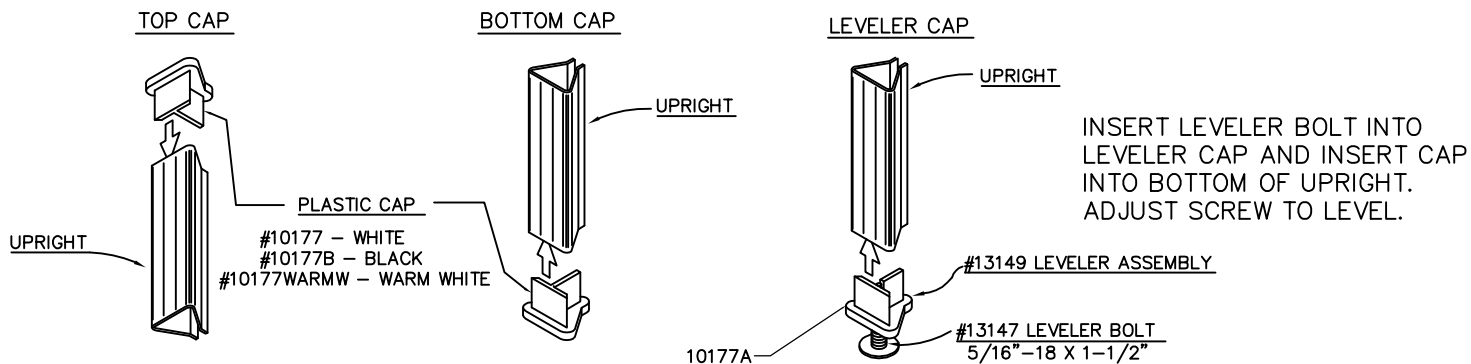
#13061 #10-24 KEP NUT  
(4 PER SPLICER)



FULL  
SCALE

# 9. UPRIGHT CAP AND LEVELER

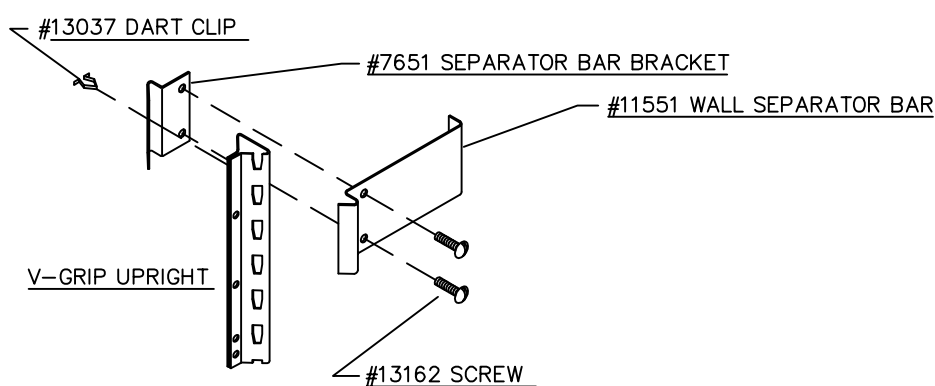
INSTALL ONE PLASTIC CAP INTO THE END(S) OF EACH UPRIGHT.



INSERT LEVELER BOLT INTO LEVELER CAP AND INSERT CAP INTO BOTTOM OF UPRIGHT. ADJUST SCREW TO LEVEL.

# 10. SEPARATOR BARS

## a. WALL SEPARATOR BAR (WALL-TIE)



#11561 - SINGLE TIE  
#11562 - SET OF TWO

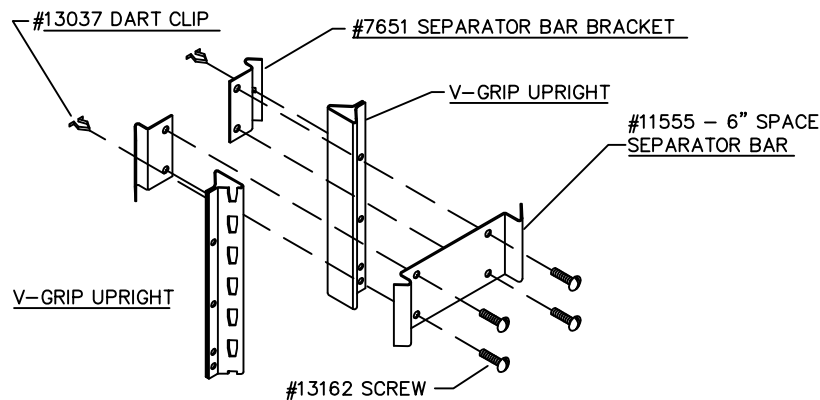
NOTE: IF FLOOR ANCHORS ARE INSTALLED, ONE WALL-TIE ASSEMBLY AT THE TOP IS SUFFICIENT. WITHOUT FLOOR ANCHORS, AN ADDITIONAL WALL TIE ASSEMBLY SHOULD BE INSTALLED NEAR THE BOTTOM OF EACH UPRIGHT.

#13037 DART CLIP  
(2 PER ASSEMBLY)

#13162 PHILLIPS HEAD SCREW  
1/4"-20 X 1/2"

#13060 1/4"-20 KEP NUT  
(4 PER ASSEMBLY)

## b. UNIT SEPARATOR BAR (SPACER BETWEEN BACK-TO-BACK UNITS)



NOTE: IF FLOOR ANCHORS ARE INSTALLED, ONE UNIT SEPARATOR ASSEMBLY AT THE TOP IS SUFFICIENT. WITHOUT FLOOR ANCHORS, AN ADDITIONAL UNIT SEPARATOR ASSEMBLY SHOULD BE INSTALLED NEAR THE BOTTOM OF EACH UPRIGHT.

#13037 DART CLIP  
(2 PER ASSEMBLY)

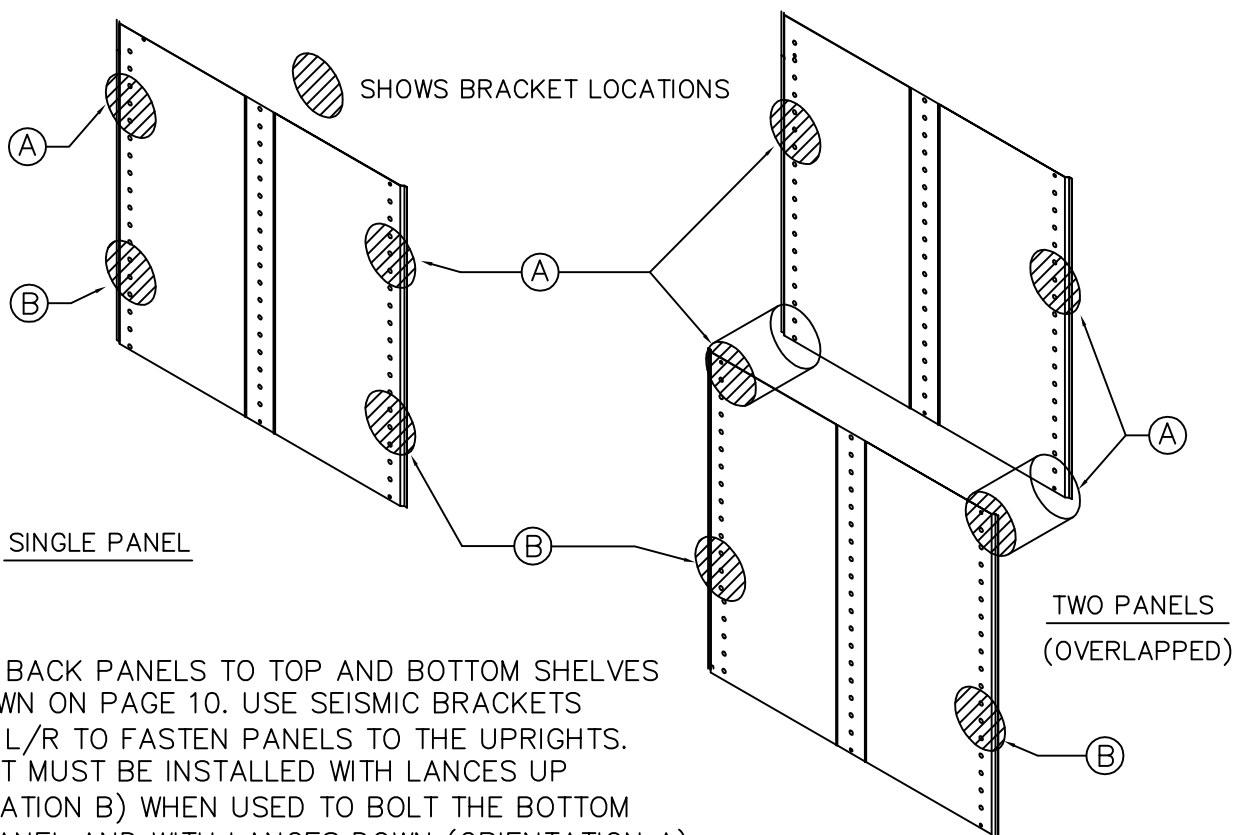
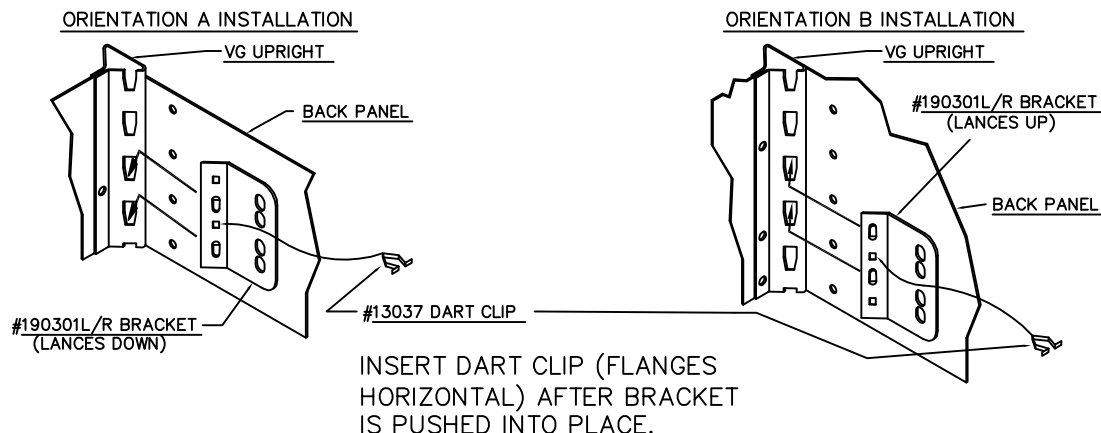
#13162 PHILLIPS HEAD SCREW  
1/4"-20 X 1/2"

#13060 1/4"-20 KEP NUT  
(4 PER ASSEMBLY)



# 11. SEISMIC ACCESSORIES

## a. SEISMIC BACK PANEL INSTALLATION (CLOSED SHELVING)



FASTEN BACK PANELS TO TOP AND BOTTOM SHELVES AS SHOWN ON PAGE 10. USE SEISMIC BRACKETS #190301L/R TO FASTEN PANELS TO THE UPRIGHTS. BRACKET MUST BE INSTALLED WITH LANCES UP (ORIENTATION B) WHEN USED TO BOLT THE BOTTOM BACK PANEL AND WITH LANCES DOWN (ORIENTATION A) FOR THE REST OF THE BACK PANEL LOCATIONS. INSERT DART CLIP TO FASTEN BRACKETS TO UPRIGHTS AS SHOWN ABOVE. ATTACH BRACKETS TO BACK PANELS USING (2) #13180 SCREWS AND #13060 NUTS.

NOTE: UPPER BACK PANELS SHOULD OVERLAP LOWER BACK PANELS ON EXPOSED BACK OF UNIT.

NOTE: BACK-TO-BACK SHELVING WILL SHARE COMMON BACK PANELS. ADDITIONAL 190301L/R BRACKETS ARE INSTALLED AT THE SAME VERTICAL LOCATIONS ON THE "REAR" SHELVING UNITS (A ONE-TO-ONE MATCH UP OF BRACKETS) TO TIE THE TWO UNITS TOGETHER. IF PROVIDED, SUBSTITUTE #13163 SCREWS (1") FOR BACK-TO-BACK ASSEMBLY.

- #13180 PHILLIPS HEAD SCREW  
1/4"-20 X 3/4"
- #13060 1/4"-20 KEP NUT  
(2 PER BRACKET)



## b. SHELF LOCKING CLIP INSTALLATION

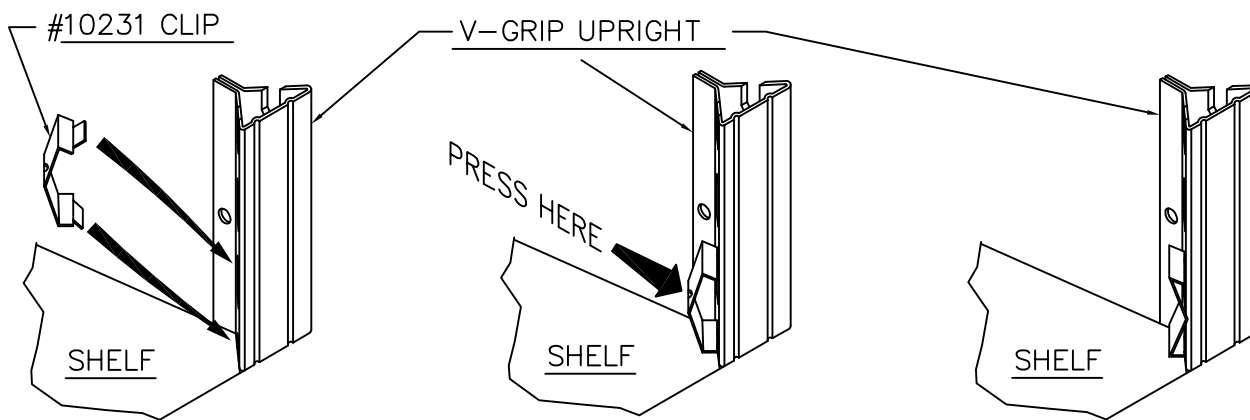


FIG. 1

INSERT BOTTOM TAB OF CLIP INTO THE SPACE LEFT BETWEEN SHELF AND UPRIGHT SLOT. INSERT TOP TAB OF CLIP INTO THE NEXT SLOT ABOVE THE SHELF.

FIG. 2

PRESS THE HOLE IN THE MIDDLE OF THE CLIP AND BEND THE CLIP AS SHOWN IN FIGURE 3.

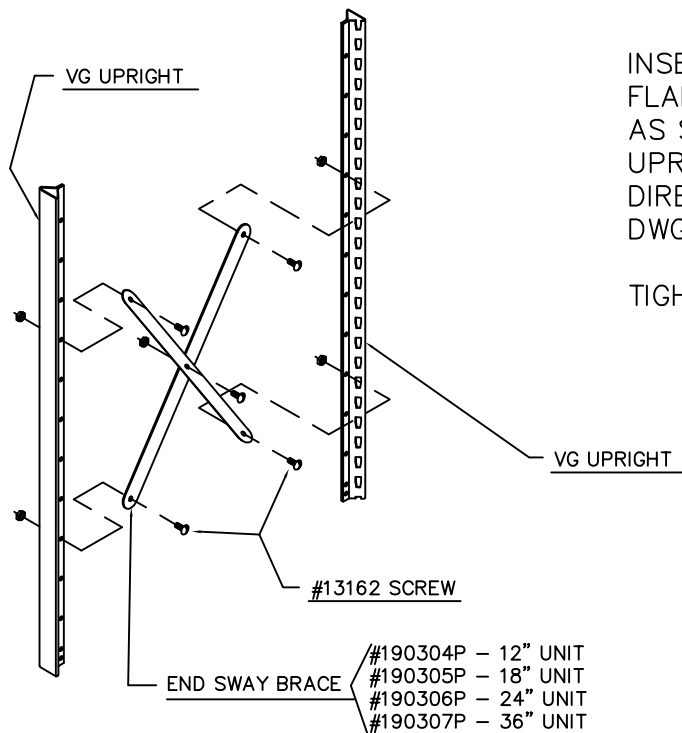
FIG. 3

FINAL POSITION OF THE CLIP AFTER BENDING.

NOTE: IT IS RECOMENDED TO INSTALL ONE SET (4 PER SHELF) FOR BOTTOM SHELF, ONE SET FOR SECOND SHELF FROM THE TOP AND ONE SET FOR AN INTERMEDIATE SHELF NEAR THE SEISMIC BRACKET.

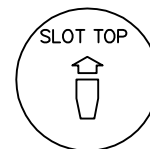
## c. SEISMIC END SWAY BRACE INSTALLATION

(OPEN SHELVING, IN LIEU OF END BRACE PLATES)



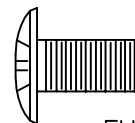
INSERT TWO END SWAY BRACES BETWEEN FLANGES OF THE UPRIGHTS AND FASTEN AS SHOWN. MAKE CERTAIN SLOTS IN BOTH UPRIGHTS ARE FACING IN THE SAME DIRECTION BEFORE BOLTING. (SEE SLOT DWG BELOW).

TIGHTEN ALL SCREWS SECURELY.



NOTE: REFER TO SECTIONS B-1a AND B-1c FOR BRACE QUANTITIES BASED ON HEIGHT.

- #13162 PHILLIPS HEAD SCREW  
1/4"-20 X 1/2"
- #13060 1/4"-20 KEP NUT  
(5 PER PAIR OF END BRACES)

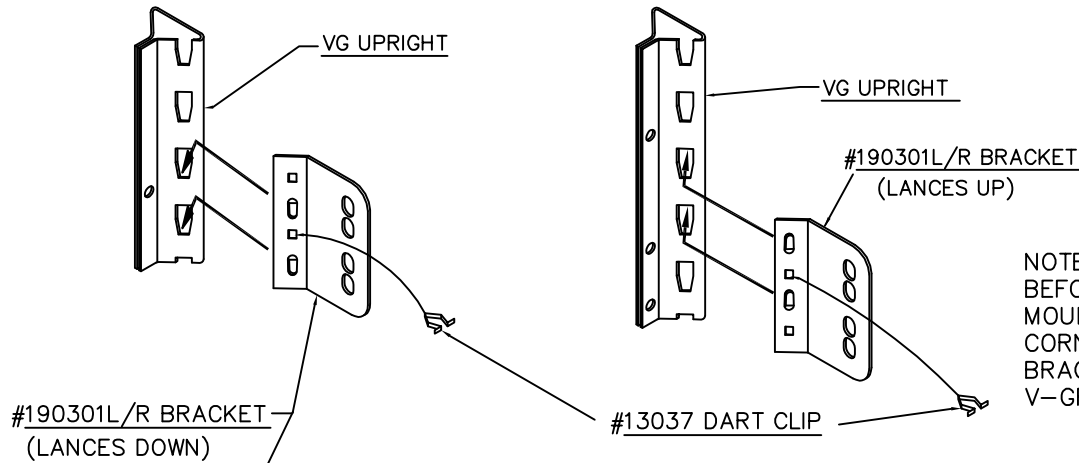


FULL SCALE

# d. SEISMIC BACK SWAY BRACE INSTALLATION (OPEN SHELVING)

## ORIENTATION "A" INSTALLATION

## ORIENTATION "B" INSTALLATION

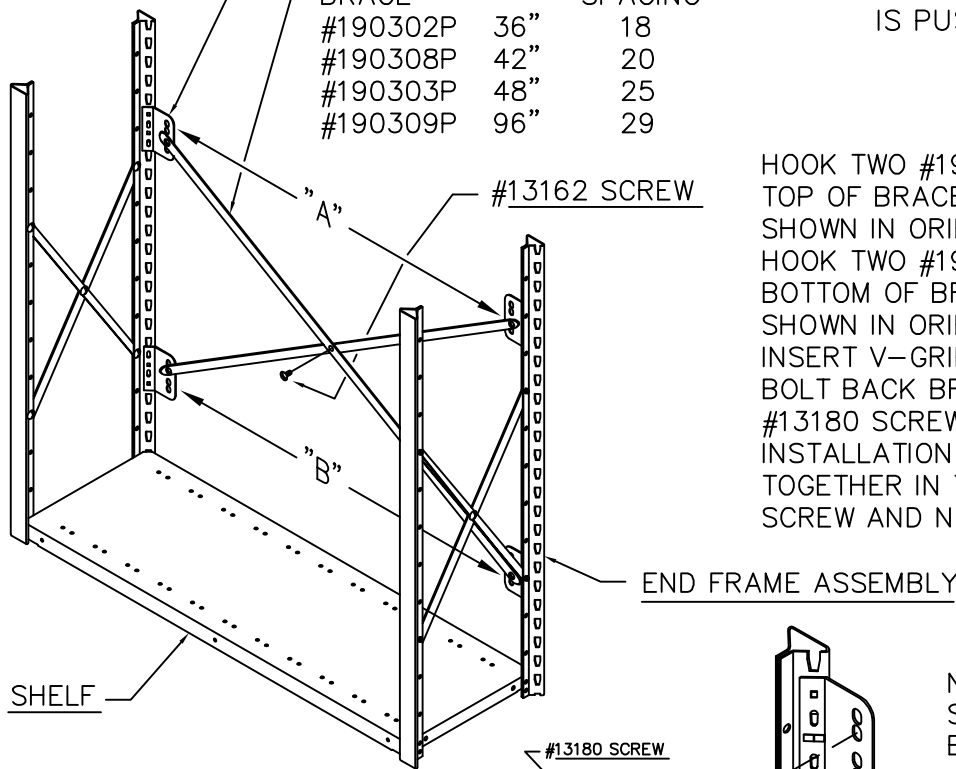


NOTE: PLAN SHELF LOCATIONS BEFORE CHOOSING SLOTS TO MOUNT BRACES, AS SHELF CORNER REINFORCEMENTS AND BRACKETS CANNOT SHARE V-GRIP SLOTS.

### BACK SWAY BRACE

SWAY BRACE	WIDTH	SLOT SPACING
#190302P	36"	18
#190308P	42"	20
#190303P	48"	25
#190309P	96"	29

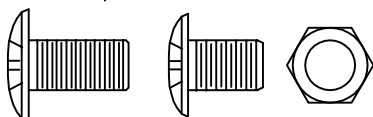
INSERT DART CLIP (FLANGES HORIZONTAL) AFTER BRACKET IS PUSHED INTO PLACE.



HOOK TWO #190301L/R BRACKETS WHERE THE TOP OF BRACES ARE TO BE INSTALLED AS SHOWN IN ORIENTATION "A" INSTALLATION. HOOK TWO #190301L/R BRACKETS WHERE THE BOTTOM OF BRACES ARE TO BE INSTALLED AS SHOWN IN ORIENTATION "B" INSTALLATION. INSERT V-GRIP DART CLIPS AS SHOWN. BOLT BACK BRACES TO THE BRACKETS WITH #13180 SCREWS AS SHOWN BELOW. COMPLETE INSTALLATION BY TIGHTENING BRACES TOGETHER IN THE CENTER WITH #13162 SCREW AND NUT.

NOTE: BACK-TO-BACK SHELVING SHARES COMMON BACK SWAY BRACES.

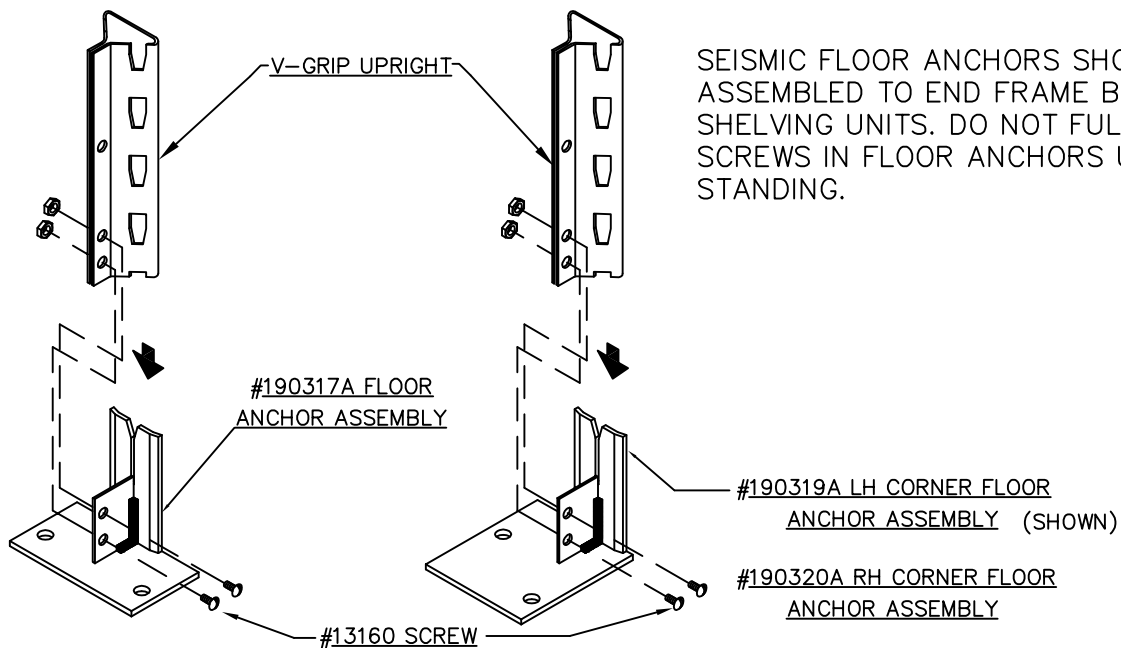
- #13180 PHILLIPS HEAD SCREW  
1/4"-20 X 3/4"  
(4 PER PAIR OF BACK BRACES)
- #13162 PHILLIPS HEAD SCREW  
1/4"-20 X 1/2"  
(1 PER PAIR OF BACK BRACES)
- #13060 1/4"-20 KEP NUT



FULL SCALE

ADDITIONAL 190301L/R BRACKETS ARE INSTALLED AT THE SAME VERTICAL LOCATIONS ON THE "REAR" SHELVING UNITS (A ONE-TO-ONE MATCH UP OF BRACKETS), AND ADDITIONAL SETS OF HARDWARE ARE USED TO TIE THE TWO SETS OF BRACKETS TOGETHER. IF PROVIDED, USE #13163 SCREW (1") FOR BACK-TO-BACK ASSEMBLY.

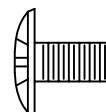
# e. SEISMIC FLOOR ANCHOR INSTALLATION



SEISMIC FLOOR ANCHORS SHOULD BE ASSEMBLED TO END FRAME BEFORE BUILDING SHELVING UNITS. DO NOT FULLY TIGHTEN SCREWS IN FLOOR ANCHORS UNTIL UNITS ARE STANDING.

NOTE: HARDWARE TO ANCHOR BRACKET TO FLOOR SURFACE IS PROVIDED BY OTHERS. TO ALLOW FOR TOOL ACCESS TO ATTACH ANCHORS TO FLOOR, IT MAY BE EASIER TO ASSEMBLE SHELVING UNITS WITH NO BOTTOM SHELF UNTIL ANCHORS ARE SECURE.

- #13160 PHILLIPS HEAD SCREW  
#10-24 X 3/8"
- #13061 #10-24 KEP NUT  
(2 PER ANCHOR)



FULL  
SCALE