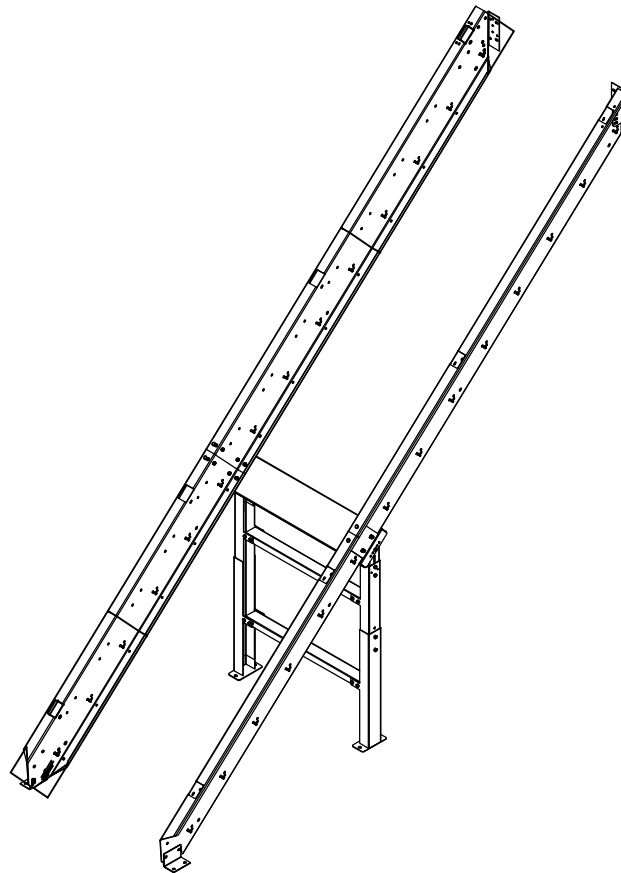


061ASY

EQUIPTO

2-PIECE STAIRWAY ASSEMBLY INSTRUCTIONS



REVISED 2/12/15

2-PIECE STAIRWAY ASSEMBLY

STEP 1: LAY OUT THE RIGHT AND LEFT SIDE TOP AND BOTTOM RISER PANELS AS SHOWN IN **FIGURE 1**. BOLT THE SPLICE PLATE (#15114C for OSHA 'F' SERIES; #15412C for BOCA 'U' and IBC SERIES) TO THE **OUTSIDE** OF ONE SECTION OF THE RISER PANEL AS SHOWN IN **FIGURE 2**. **MAKE SURE THAT BOLT HEADS ARE ON THE INSIDE OF RISER PANEL**. BOLT ONE SPLICE PLATE TO CONNECT THE TOP AND BOTTOM SECTION OF EACH RIGHT AND LEFT HAND RISER ASSEMBLY WITH (6) 3/8"-16 x 3/4" HEX BOLTS (#13188), SPRING LOCKWASHERS (#13182), AND HEX NUTS (#13191) AS SHOWN. BE SURE TO LEAVE THE BOTTOM TWO HOLES EMPTY AS SHOWN IN **FIGURE 3**. **TIGHTEN BOLTS SECURELY**.

STEP 2: INSTALL (3) STAIR TREADS AND SUPPORT ANGLES TO HOLD THE RISER PANELS AT THEIR PROPER SPACING (REFER TO STAIRWAY ASSEMBLY INSTRUCTIONS; HARDWARE IS INCLUDED WITH STAIRWAY). ASSEMBLE ONE TREAD AT THE TOP, ONE AT THE SPLICE JOINT, AND ONE AT THE BOTTOM. **TIGHTEN BOLTS SECURELY**.

STEP 3: SET UP CROSS CHANNEL (SEE CHART BELOW) AND PIVOT ANGLES (#9569) AS SHOWN IN **FIGURES 4-5**. ON EACH SIDE OF CROSS CHANNEL, INSTALL (2) 3/8"-16 x 3/4" BOLTS (#13188), SPRING LOCKWASHERS (#13182), AND HEX NUTS (#13191) THROUGH RISER PANEL, SPLICE PLATE, CROSS CHANNEL, AND PIVOT ANGLE TO MOUNT AS SHOWN IN **FIGURES 6-7**. MAKE SURE SPACE BETWEEN CROSS CHANNEL OUTSIDE FLANGE AND PIVOT ANGLE FLANGE (REFER TO **FIGURE 5**) IS AT LEAST 2-1/2" INSIDE DIMENSION ON BOTH SIDES, AND THAT CROSS CHANNEL IS CENTERED ON RISER PANELS. **TIGHTEN BOLTS SECURELY**.

STAIRWAY WIDTH	CROSS CHANNEL
24"	9231
30"	9232
36"	9233
48"	9234

STEP 4: TOP AND FLOOR ANGLES CAN NOW BE MOUNTED TO RISERS. REMAINING TREADS CAN THEN BE ASSEMBLED TO RISERS. (REFER TO STAIRWAY ASSEMBLY INSTRUCTIONS; HARDWARE IS INCLUDED WITH STAIRWAY). STAIRWAY CAN BE LIFTED INTO PLACE AT ITS FINAL POSITION.

VERY IMPORTANT: NO WEIGHT CAN BE PLACED ON THE 2-PIECE STAIRWAY UNTIL THE 2-PIECE ASSEMBLY FLOOR SUPPORT IS IN PLACE AND BOLTED SECURELY.

STEP 5: USE (2) 3/8"-16 x 3-1/2" BOLTS (#13190), FLAT WASHERS (#13187), SPRING LOCKWASHERS (#13182), AND HEX NUTS (#13191) AS SHOWN IN **FIGURE 8** TO ATTACH (2) SUPPORT LEG TOPS (#5140) TO CROSS CHANNEL AND PIVOT ANGLES. **MAKE SURE THE FLAT WASHERS ARE INSTALLED** AS SHOWN IN **FIGURES 9-10**, AS THIS GIVES THE NECESSARY CLEARANCE. TIGHTEN THE PIVOT BOLTS AS SHOWN IN **FIGURE 11** JUST ENOUGH SO THAT THE TOP SUPPORTS CAN BE ANGLED AS SHOWN IN **FIGURE 12**.

STEP 6: LAY OUT THE PARTS FOR THE SUPPORT LEG ASSEMBLIES AS SHOWN IN **FIGURE 13**. USING (4) 3/8"-16 x 3/4" HEX BOLTS (#13188), SPRING LOCKWASHERS (#13182), AND HEX NUTS (#13191), BOLT (1) SUPPORT CROSS BRACE (SEE CHART BELOW) TO EACH SUPPORT LEG MID-SECTION (#5141 - THE SECTION WITH THE LONG HOLE PATTERN) AS SHOWN IN **FIGURES 14-15**. THE CROSS BRACE SHOULD BE INSTALLED FLANGE-DOWN TOWARD THE HOLE PATTERN. SIMILARLY, BOLT (1) SUPPORT LEG CROSS BRACE TO EACH SUPPORT LEG BOTTOM SECTION (#5142A), **BEING SURE TO INSERT (2) SHIMS (#7749) ON EACH ATTACHMENT POINT OF THIS CROSS BRACE** (BETWEEN THE CROSS BRACE AND THE SUPPORT LEG TABS ON BOTH SIDES, A TOTAL OF 8 SHIMS) AS SHOWN IN **FIGURES 16-17**. THESE SHIMS ENSURE PROPER CLEARANCE FOR NON-BINDING LEG HEIGHT ADJUSTMENT. THE CROSS BRACE SHOULD BE INSTALLED FLANGE-DOWN TOWARD THE FLOOR SUPPORT BASE PLATE.

STAIRWAY WIDTH	CROSS BRACE
24"	9241
30"	9242
36"	9243
48"	9244

STEP 7: SLIP THE FLOOR SUPPORT MID-SECTION ONTO THE ANGLED SUPPORT LEG TOPS AS SHOWN IN **FIGURE 18**. INSTALL (2) 3/8"-16 x 3/4" HEX BOLTS (#13188), SPRING LOCKWASHERS (#13182), AND HEX NUTS (#13191) ON EACH LEG AS SHOWN IN **FIGURE 19**, BUT DON'T TIGHTEN. SLIP THE FLOOR SUPPORT BOTTOM SECTION ONTO THE ANGLED MID-SECTION AS SHOWN IN **FIGURES 20-21**. ANGLE THE COMPLETE FLOOR SUPPORT ASSEMBLY DOWN UNTIL YOU HAVE FULL CONTACT WITH THE FLOOR AT A 90-DEGREE ANGLE AS SHOWN IN **FIGURES 22-23**. THE FLOOR SUPPORT IS FULLY ADJUSTABLE FOR HEIGHTS FROM 41-1/4" TO 65-1/2", MEASURED TO THE PIVOT BOLT. HEIGHT ADJUSTMENT SHOULD FIRST BE DONE AT THE BOTTOM/MID-SECTION JOINT. ONCE BOLT HOLE LOCATIONS ARE DETERMINED, INSTALL (2) 3/8"-16 x 3/4" HEX BOLTS (#13188), SPRING LOCKWASHERS (#13182), AND HEX NUTS (#13191) ON EACH LEG AS SHOWN IN **FIGURE 24**. FINE ADJUSTMENT IS POSSIBLE AT THE MID-SECTION/TOP JOINT USING THE SLOT AS SHOWN IN **FIGURE 25**. THE TWO SMALLER HOLES SHOWN WITHOUT BOLTS IN **FIGURE 25** ARE FOR #14 x 3/4" TEK-SCREWS (NOT SUPPLIED) TO FIRMLY LOCK THE FINISHED ASSEMBLY IN PLACE AND PREVENT SLIPPAGE.

ONLY AFTER THE MOUNTING ANGLE IS SET AND EVERYTHING IS TRUE SHOULD YOU **TIGHTEN ALL BOLTS SECURELY**.

STEP 8: BEFORE USING THE STAIRS YOU **MUST** ANCHOR THE FLOOR SUPPORT FIRMLY THROUGH THE HOLES PROVIDED IN THE BUTTOM SUPPORT LEG BASE PLATE AS SHOWN IN **FIGURE 26** (ANCHORS NOT SUPPLIED).

BEFORE USING STAIRWAY CHECK ALL BOLTS FOR TIGHTNESS.

