

60ASY

---

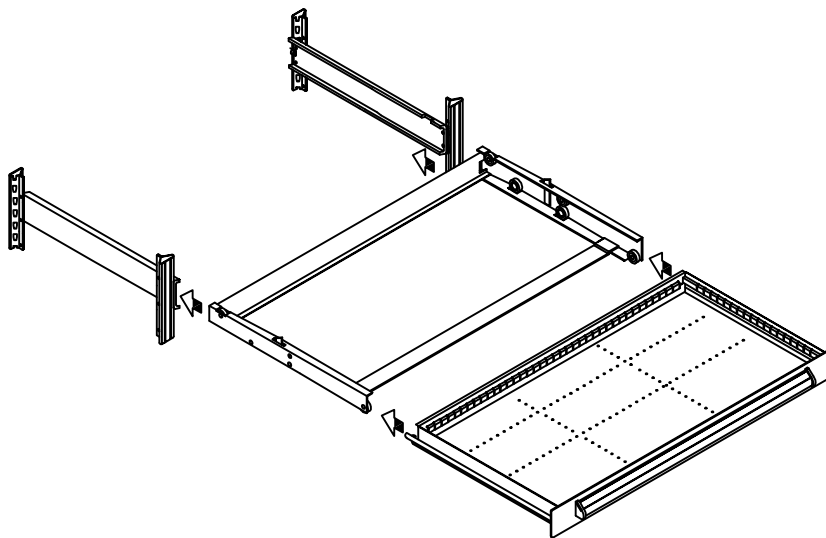
# EQUIPTO

---

ORIGINAL DESIGN  
36" / 48" SHELVING WIDE DRAWERS  
(400# CAPACITY)

## ASSEMBLY INSTRUCTIONS

READ INSTRUCTIONS BEFORE ASSEMBLING

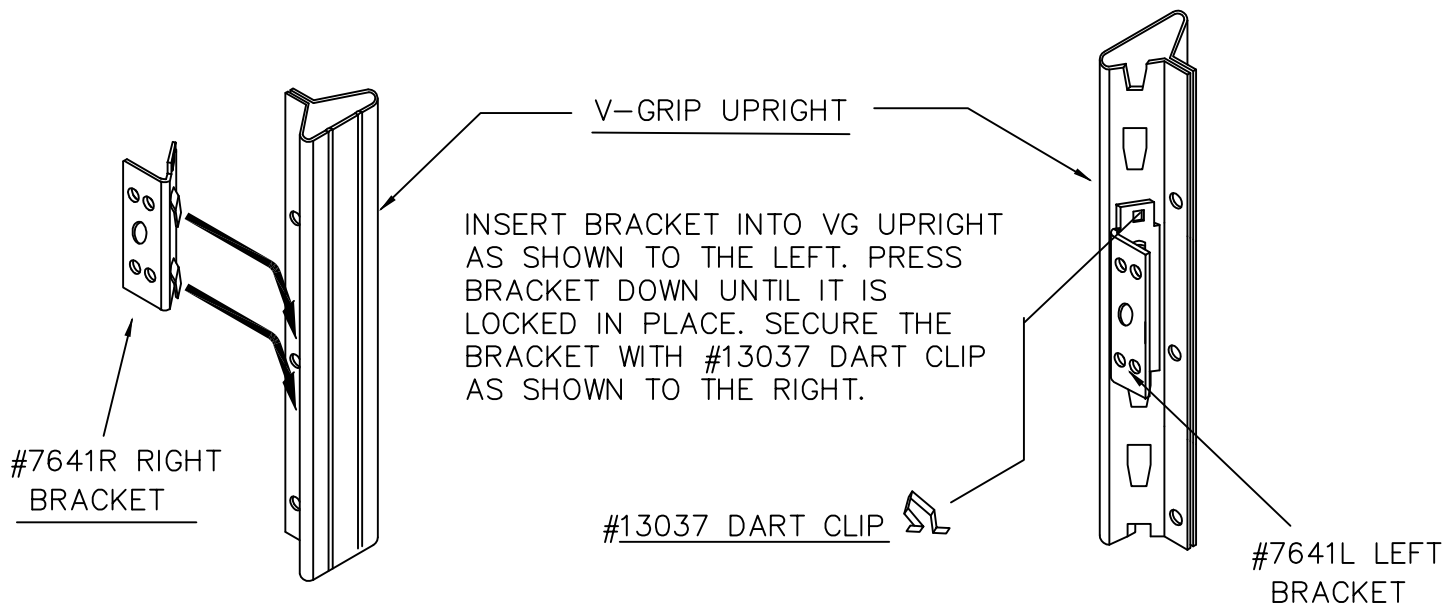


1

# POST AND BRACKET ASSEMBLY

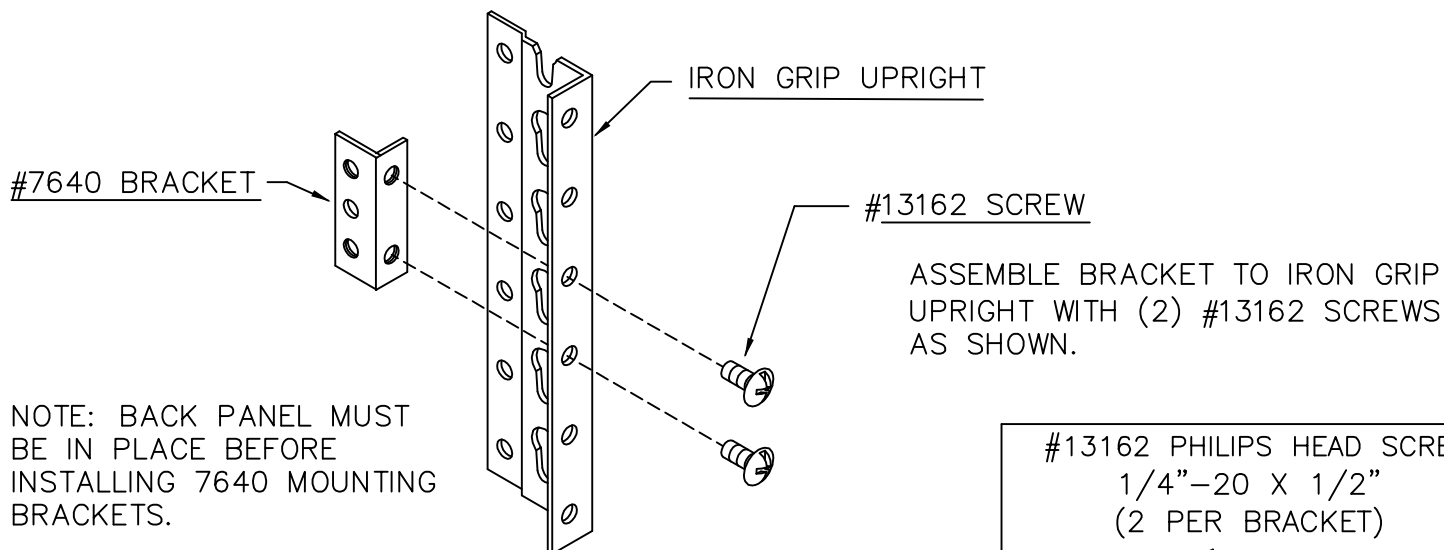
## a) V-GRIP POST BRACKET

INSERT 4 BRACKETS (2 LEFT-HAND, 2 RIGHT-HAND) ONTO UPRIGHTS AT SAME VERTICAL LOCATIONS SO THAT FLANGES ARE PARALLEL TO SHELVING ENDS.



## b) IRON GRIP POST BRACKET

INSERT 4 BRACKETS ONTO UPRIGHTS AT SAME VERTICAL LOCATIONS SO THAT FLANGES ARE PARALLEL TO SHELVING ENDS.



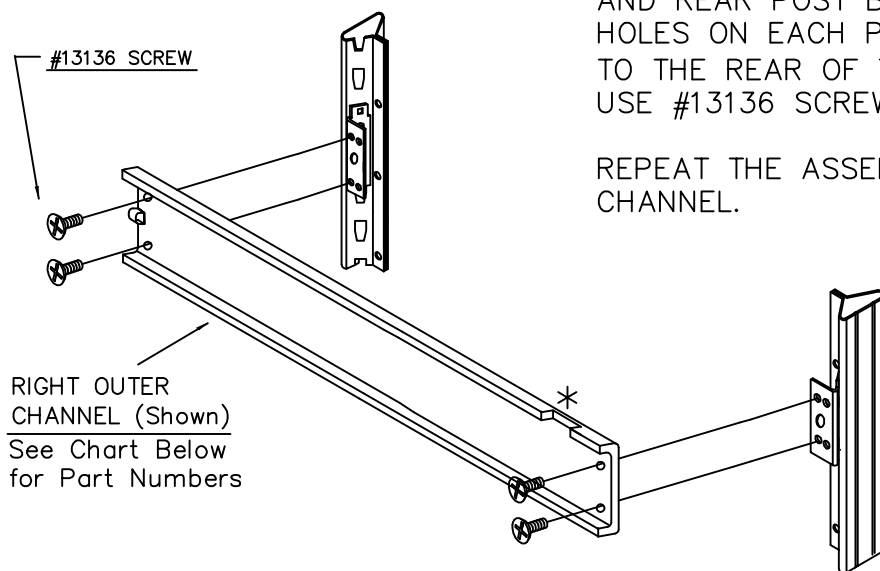
#13162 PHILIPS HEAD SCREW  
1/4"-20 X 1/2"  
(2 PER BRACKET)

# 2 OUTER CHANNEL ASSEMBLY

## a) V-GRIP ASSEMBLY

MOUNT THE RIGHT OUTER CHANNEL TO THE FRONT AND REAR POST BRACKETS USING THE SET OF HOLES ON EACH POST BRACKET THAT ARE CLOSEST TO THE REAR OF THE SHELVING UNIT (AS INDICATED). USE #13136 SCREWS TO ATTACH CHANNEL.

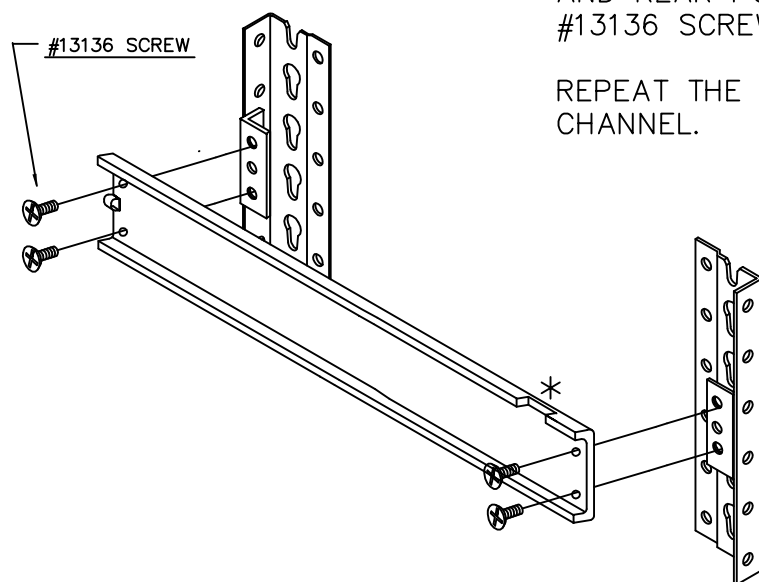
REPEAT THE ASSEMBLY STEP FOR THE LEFT OUTER CHANNEL.



## b) IRON GRIP ASSEMBLY

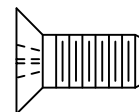
MOUNT THE RIGHT OUTER CHANNEL TO THE FRONT AND REAR POST BRACKETS (AS INDICATED). USE #13136 SCREWS TO ATTACH CHANNEL.

REPEAT THE ASSEMBLY STEP FOR THE LEFT OUTER CHANNEL.



\* NOTE: THE NOTCH NEAR THE FRONT OF EACH OUTER CHANNEL MUST BE FACING UP.

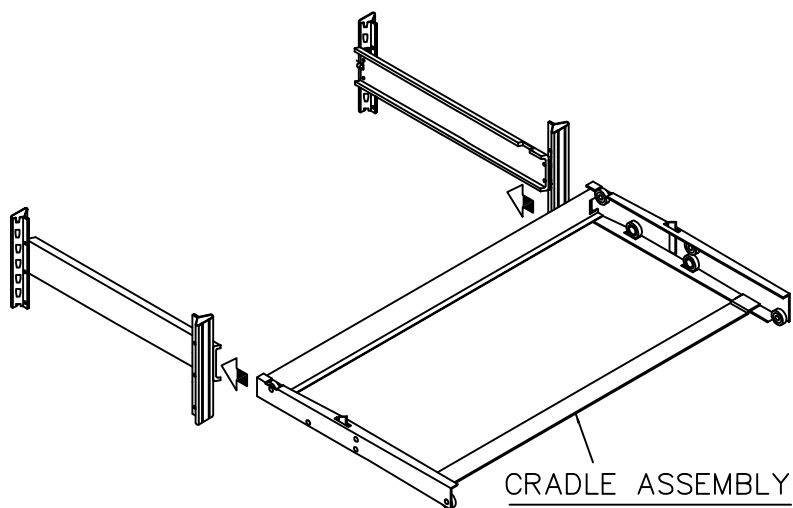
#13136 FLAT HEAD MACH SCREW  
1/4"-20 x 1/2"  
(4 PER CHANNEL)



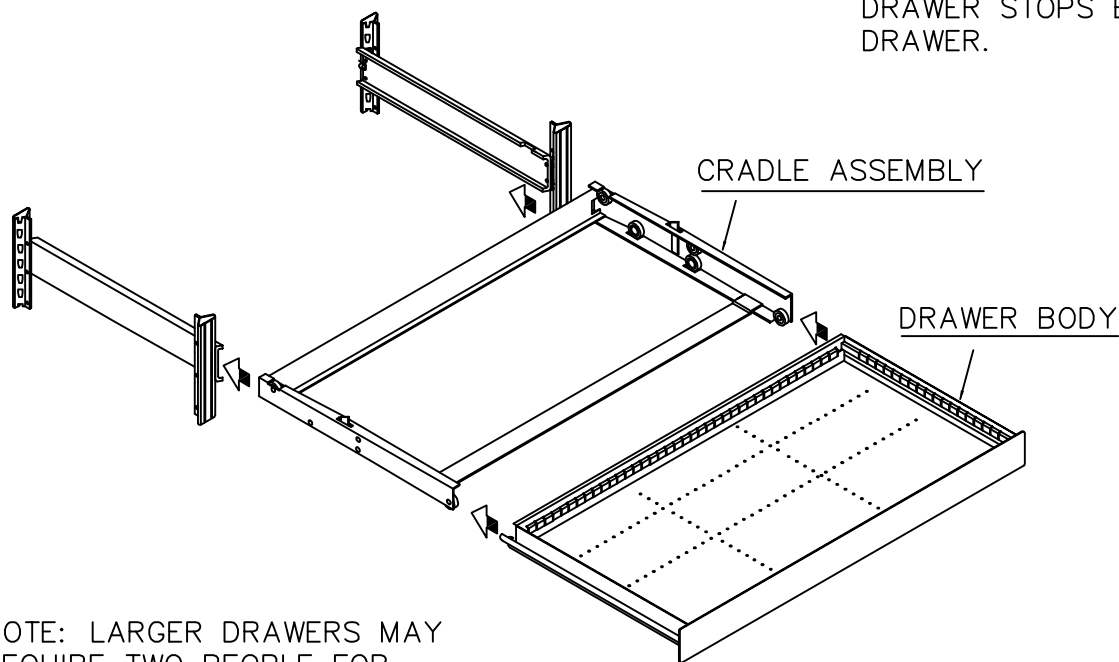
CHANNEL	LEFT	RIGHT
18" DEEP	#18910L	#18910R
24" DEEP	#18911L	#18911R

3

# CRADLE & DRAWER INSTALLATION



INSERT DRAWER CRADLE ASSEMBLY INTO OUTER CHANNELS THAT WERE MOUNTED IN STEP 3. PUSH CRADLE TO BACK OF SHELVING UNIT TO ENGAGE DRAWER STOPS.



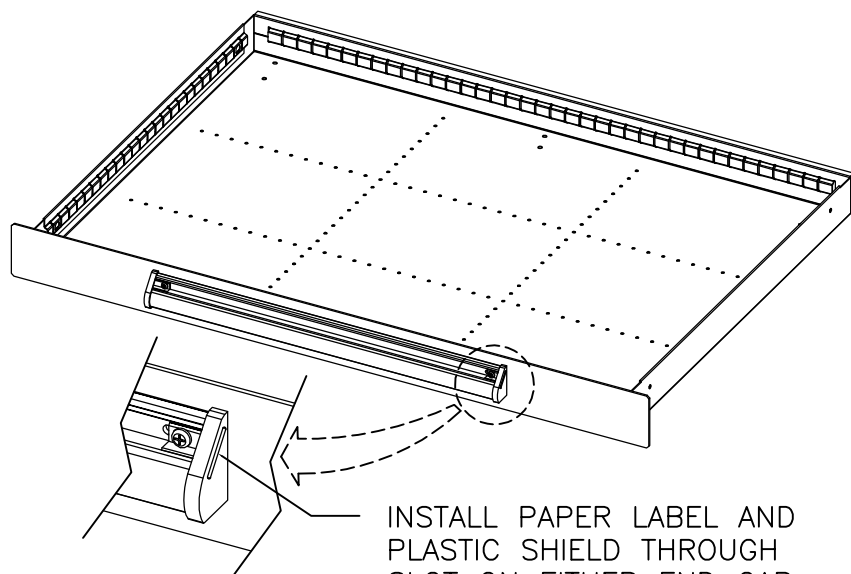
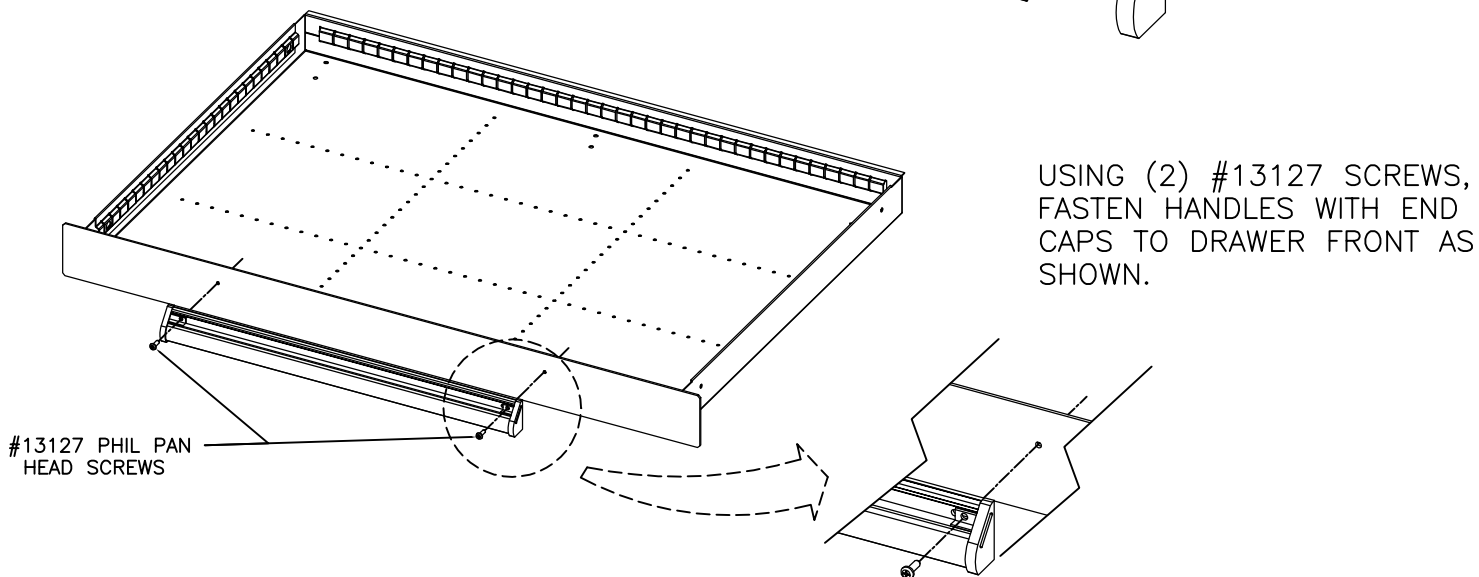
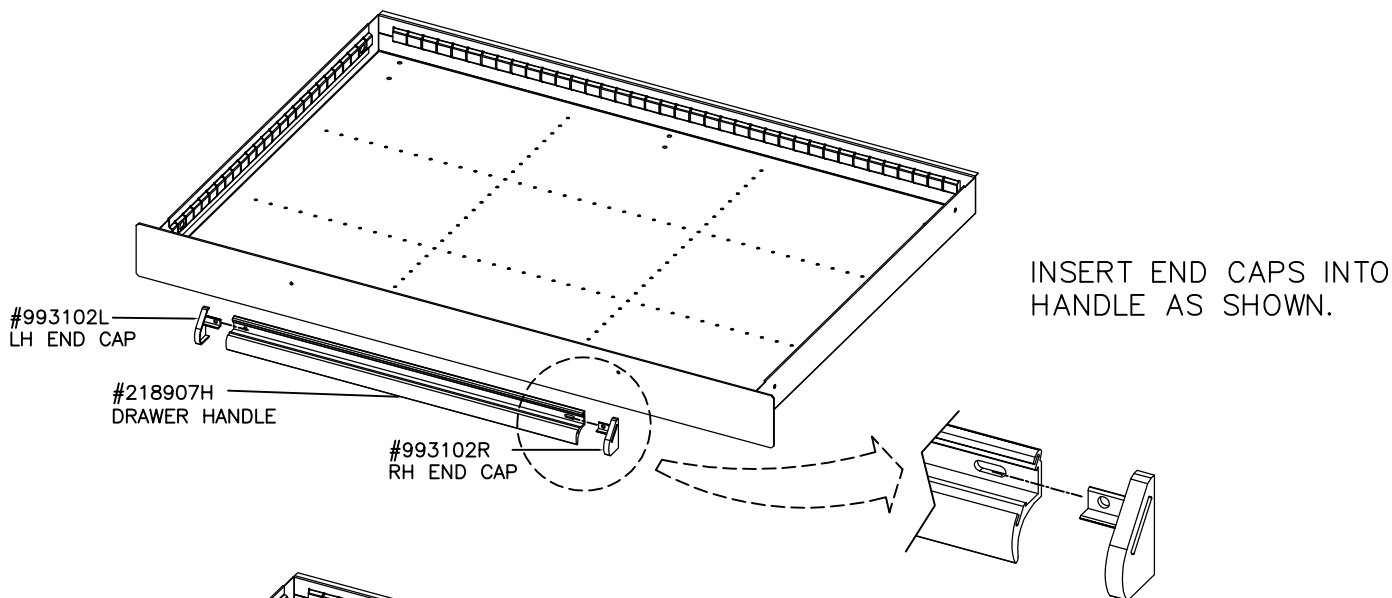
INSERT DRAWER BODY INTO CRADLE ASSEMBLY. FOR 3" HIGH DRAWERS IT IS NECESSARY TO PULL THE CRADLE ASSEMBLY OUT TO THE DRAWER STOPS BEFORE INSERTING DRAWER.

NOTE: LARGER DRAWERS MAY REQUIRE TWO PEOPLE FOR INSERTION AND REMOVAL.

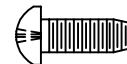
TO REMOVE DRAWER, OPEN DRAWER UNTIL DRAWER STOPS ENGAGE. LIFT AND SLIDE DRAWER OUT. TO REMOVE CRADLE ASSEMBLY, PIVOT DRAWER STOPS DOWNWARD ON BOTH SIDES. SLIDE CRADLE ASSEMBLY FORWARD.

4

# DRAWER HANDLE ASSEMBLY



#13127 PHIL PAN HEAD THREAD  
ROLLING SCREW #8-32 X 7/16"  
(2 PER DRAWER HANDLE)



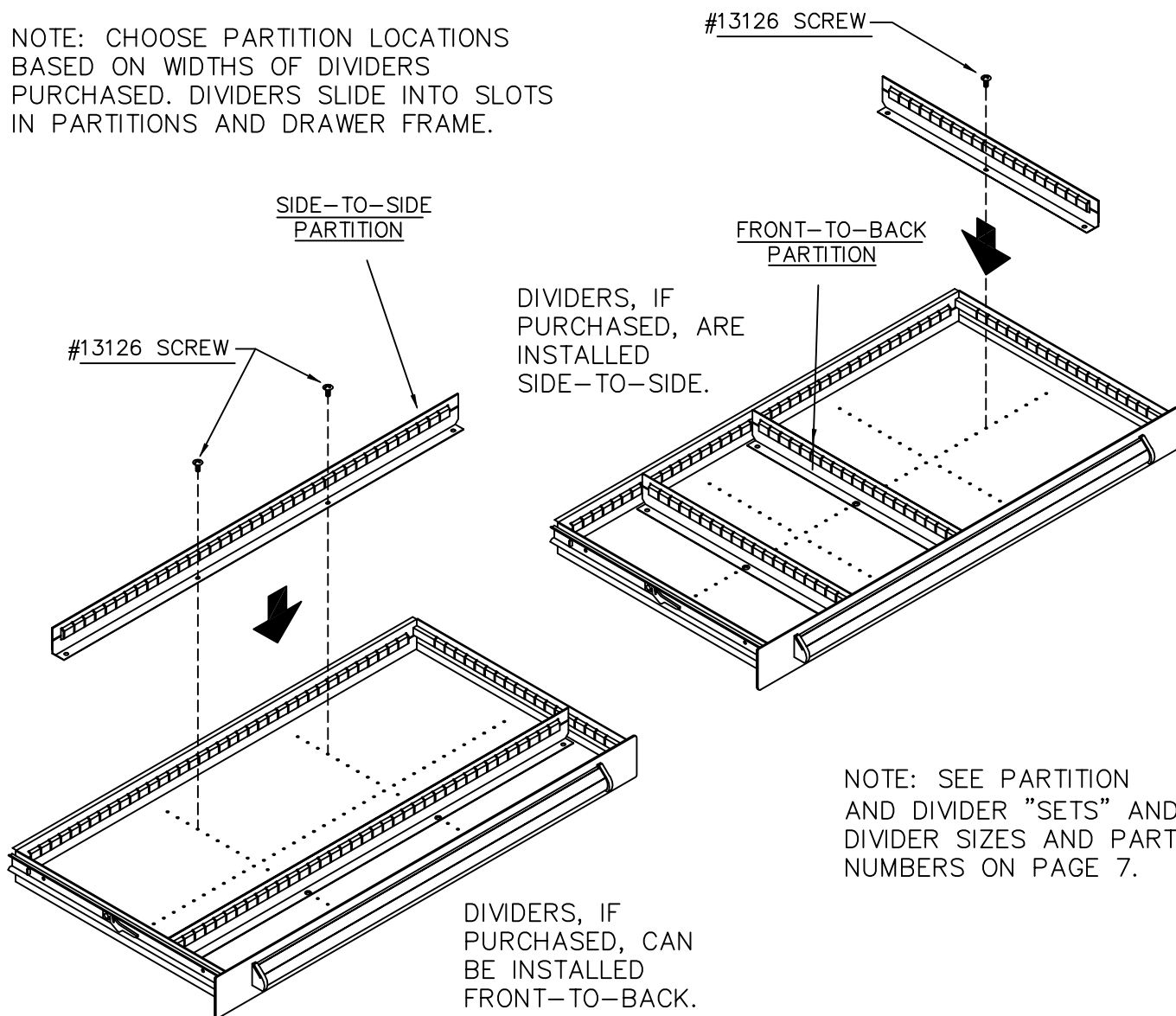
5

# PARTITION AND DIVIDER ASSEMBLY

NOTE: OPTIONAL, INCLUDED WHEN DIVIDER SET IS PURCHASED WITH DRAWER

DRAWER DEPTH	PARTITION HEIGHT					
	FRONT-TO-BACK PARTITION			SIDE-TO-SIDE PARTITION(36W)		
	2"	3"	4-1/2"	2"	3"	4-1/2"
18" DEEP	8780N	8781N	8782N	8770	8771	8772
24" DEEP	8790N	8791N	8792N	8770	8771	8772

NOTE: CHOOSE PARTITION LOCATIONS BASED ON WIDTHS OF DIVIDERS PURCHASED. DIVIDERS SLIDE INTO SLOTS IN PARTITIONS AND DRAWER FRAME.



NOTE: SEE PARTITION AND DIVIDER "SETS" AND DIVIDER SIZES AND PART NUMBERS ON PAGE 7.

NOTE: IT IS RECOMMENDED THAT AT LEAST ONE FRONT-TO-BACK PARTITION BE USED TO REINFORCE THE 48" WIDE DRAWERS TO PREVENT ANY DISHING EFFECT CAUSED BY CONCENTRATED LOADS.

#13126 PHIL PAN HEAD THREAD ROLLING SCREW #8-32 X 1/4" (2 PER SIDE-TO-SIDE PARTITION; 1 PER FRONT-TO-BACK PARTITION)



NOTE: DIVIDER "SETS" INCLUDE PARTITIONS AND DIVIDERS. DIVIDER WIDTH IS GIVEN IN INCHES AND SLOT "SPACES"; SLOT SPACING IS APPROX. 3/4".

## DIVIDER "SETS" AVAILABLE FOR 36W AND 48W DRAWERS

DRAWER Width (in)		Divider Set Layout Type	Drawer Front Height (in)		
			3	4-1/2	6 & Up
36	18 D	D	4173D10	4174D15	4175D20
		E	4173E10	4174E15	4175E20
		F	4173F10	4174F15	4175F20
		H	4173H10	4174H15	4175H20
	24 D	D	4183D10	4184D15	4185D20
		E	4183E10	4184E15	4185E20
		F	4183F10	4184F15	4185F20
		H	4183H10	4184H15	4185H20
48	18 D	D	4176D10	4177D15	4178D20
		E	4176E10	4177E15	4178E20
		F	4176F10	4177F15	4178F20
		H	4176H10	4177H15	4178H20
	24 D	D	4186D10	4187D15	4188D20
		E	4186E10	4187E15	4188E20
		F	4186F10	4187F15	4188F20
		H	4186H10	4187H15	4188H20

## DIVIDER PART NUMBERS AND SIZES

Divider Width (in) (# "spaces")	Drawer Front Height (in)		
	3	4-1/2	6 & up
	Divider Height (in)		
	2	3	4-1/2
3.093 (4 spaces)	8834	8844	8854
3.890 (5 spaces)	8834W	8844W	8854W
4.687 (6 spaces)	8835	8845	8855
5.484 (7 spaces)	8835W	8845W	8855W
6.281 (8 spaces)	8836	8846	8856
7.875 (10 spaces)	8837	8847	8857
8.671 (11 spaces)	8837W	8847W	8857W
9.437 (12 spaces)	8838	8848	8858
12.687 (16 spaces)	8839	8849	8859