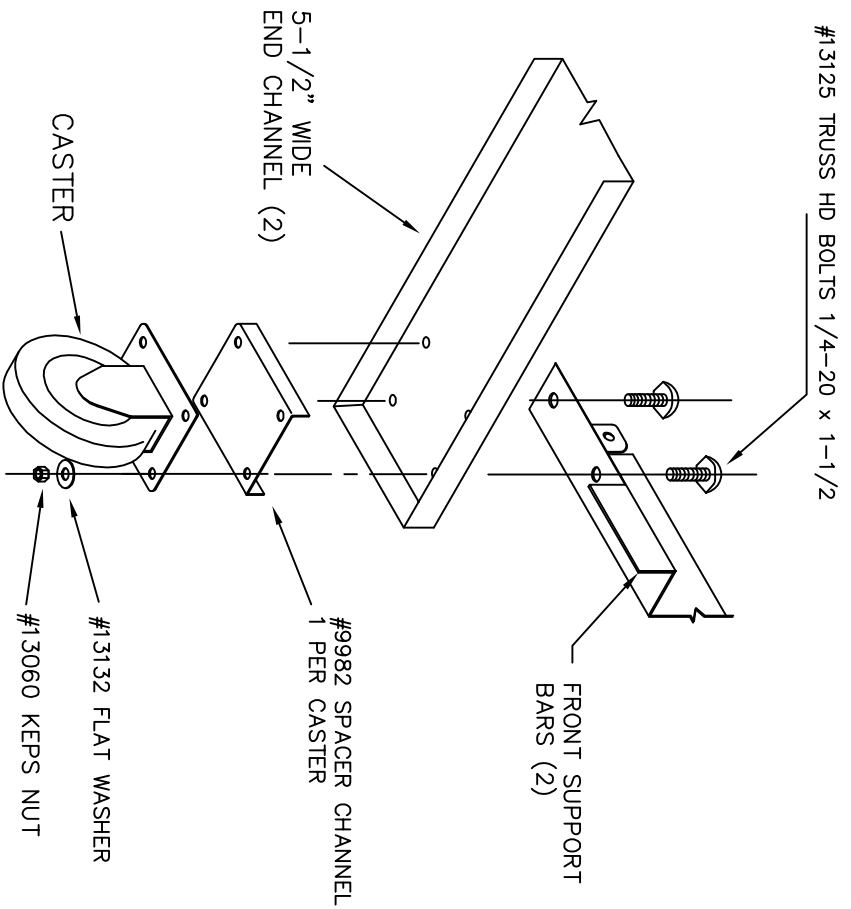


42606ASY

EQUIPTO

Caster Base Assembly
Instructions

READ INSTRUCTIONS BEFORE ASSEMBLING

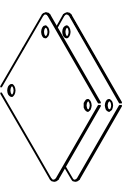


1

ASSEMBLING BASE WITH CASTERS

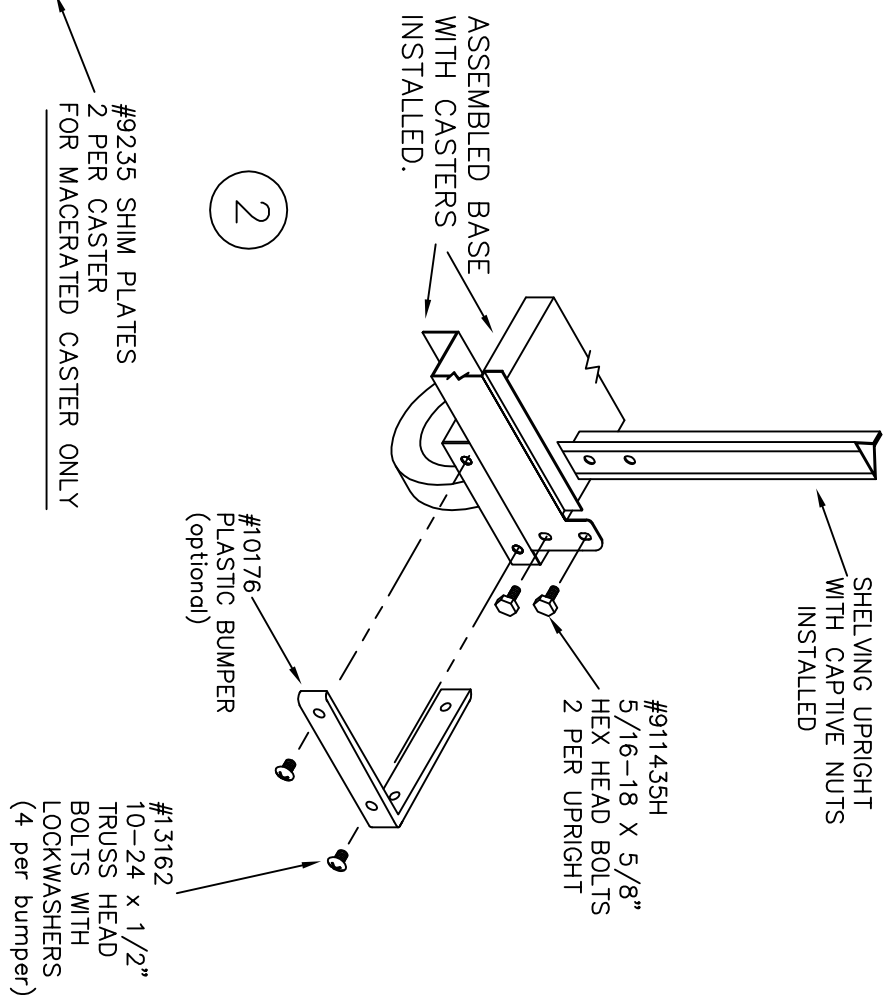
As the base is being assembled, make certain holes in the side flanges of the end channels are to the outside of the base. Be sure to install both SWIVEL CASTERS on the same end. DO NOT TIGHTEN bolts until shelving ends are in place on the base. See Detail 2.

When Macerated Casters are being used, two Shim Plates per caster should be installed.



#9235 SHIM PLATES
2 PER CASTER
FOR MACERATED CASTER ONLY

2



#13162 10-24 x 1/2" TRUSS HEAD BOLTS WITH LOCKWASHERS (4 per bumper)