

41410ASY

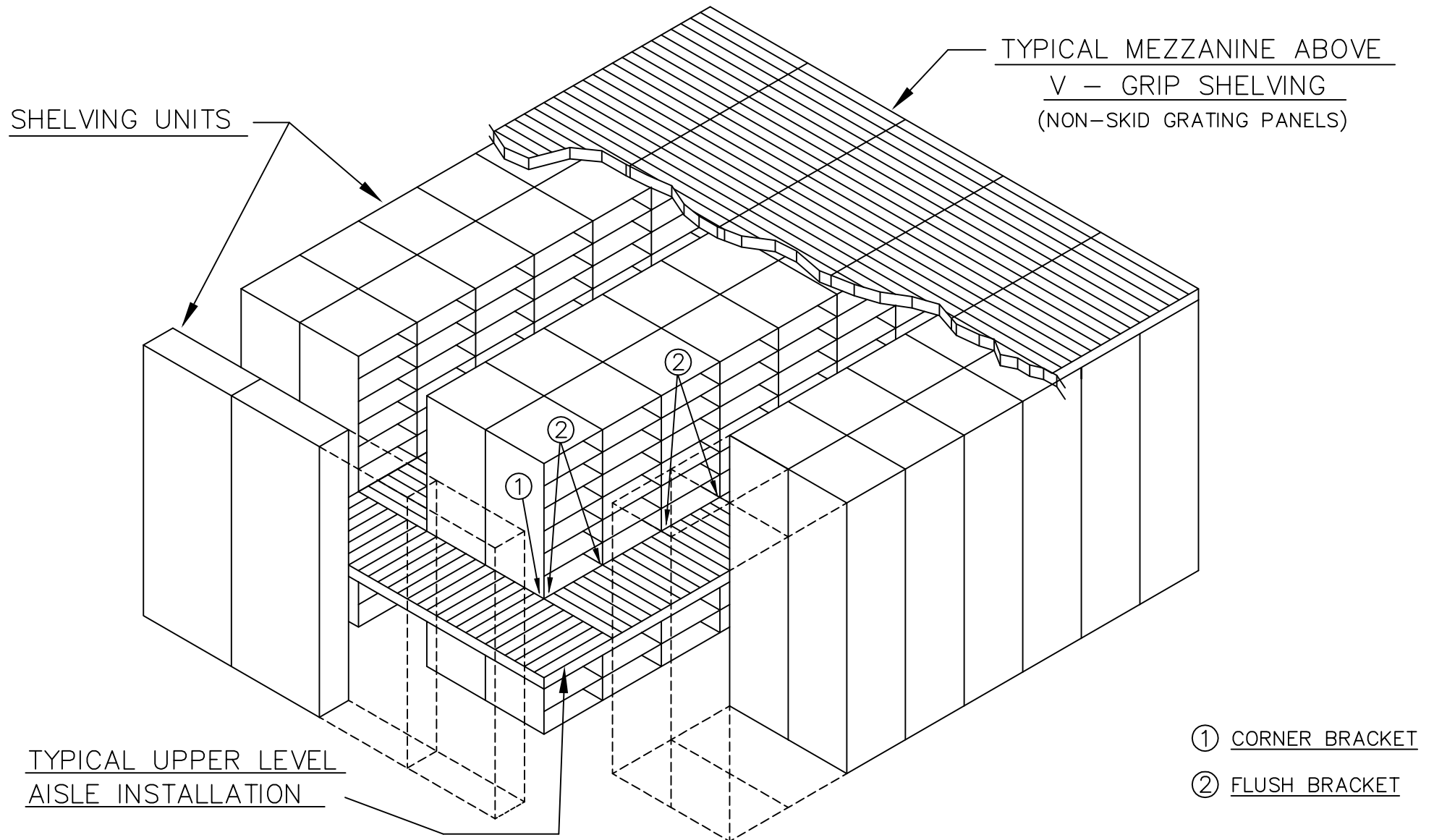
EQUIPTO

SHELVING MEZZANINE FLOOR
SUPPORT ASSEMBLY INSTRUCTIONS

READ INSTRUCTIONS BEFORE ASSEMBLING

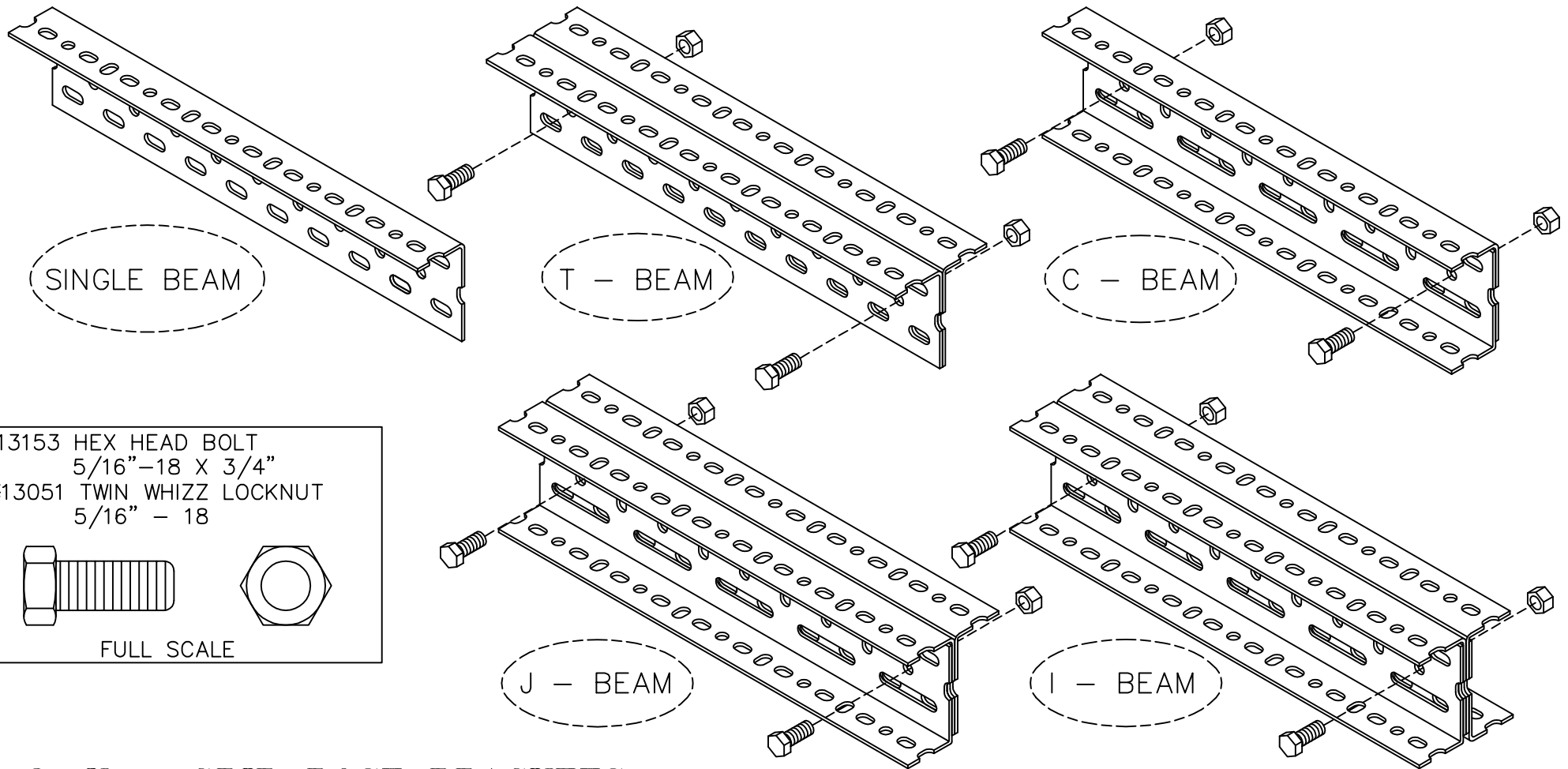
SHELVING MEZZANINE FLOOR SUPPORT ASS'Y INSTRUCTIONS

1. TYPICAL MEZZANINE & V-GRIP DOUBLE DECK INSTALLATION

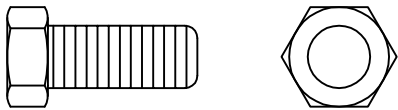


2. EQUIPTO SLOTTED ANGLE

NOTE: BOLT ANGLES ON 12" CENTERS.



#13153 HEX HEAD BOLT
5/16"-18 X 3/4"
#13051 TWIN WHIZZ LOCKNUT
5/16" - 18



FULL SCALE

3. V - GRIP POST BRACKETS

NOTE

HOOK ONE BRACKET ON EACH SHELVING UNIT FRONT UPRIGHT FACING EACH AISLE.
ALL BRACKETS ARE PUNCHED "L" FOR LEFT AND "R" FOR RIGHT HAND FORMATION.

CORNER BRACKETS

#7698L

#7698R



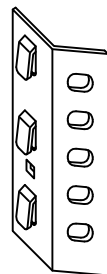
1



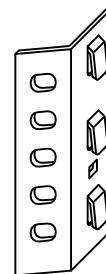
FLUSH BRACKETS

#7700L

#7700R



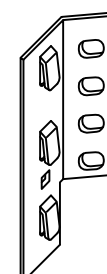
2



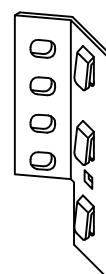
RAILING BRACKETS

#7693L

#7693R



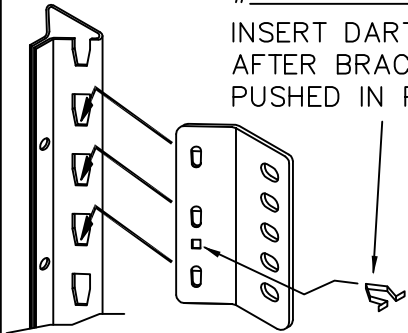
3



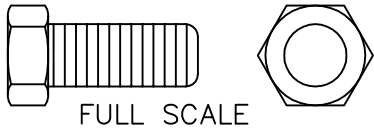
4. TYPICAL BRACKETS AND SLOTTED ANGLE ASSEMBLIES

BRACKET INSTALLATION

#13037 DART CLIP
INSERT DART CLIP
AFTER BRACKET IS
PUSHED IN PLACE.

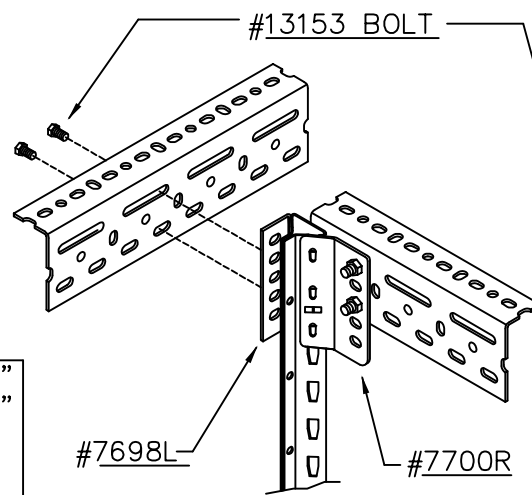


#13153 HEX HD BOLT 5/16" X 3/4"
#13051 TWIN WHIZZ LOCKNUT 5/16"

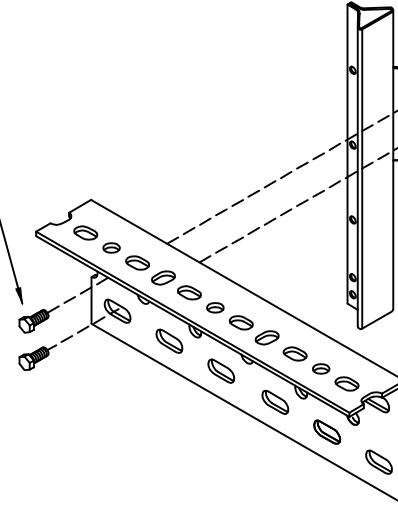


FULL SCALE

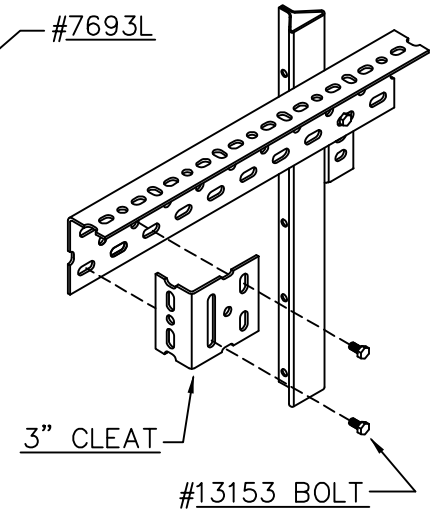
CORNER ASS'Y



CROSS AISLE SUPPORT ASS'Y



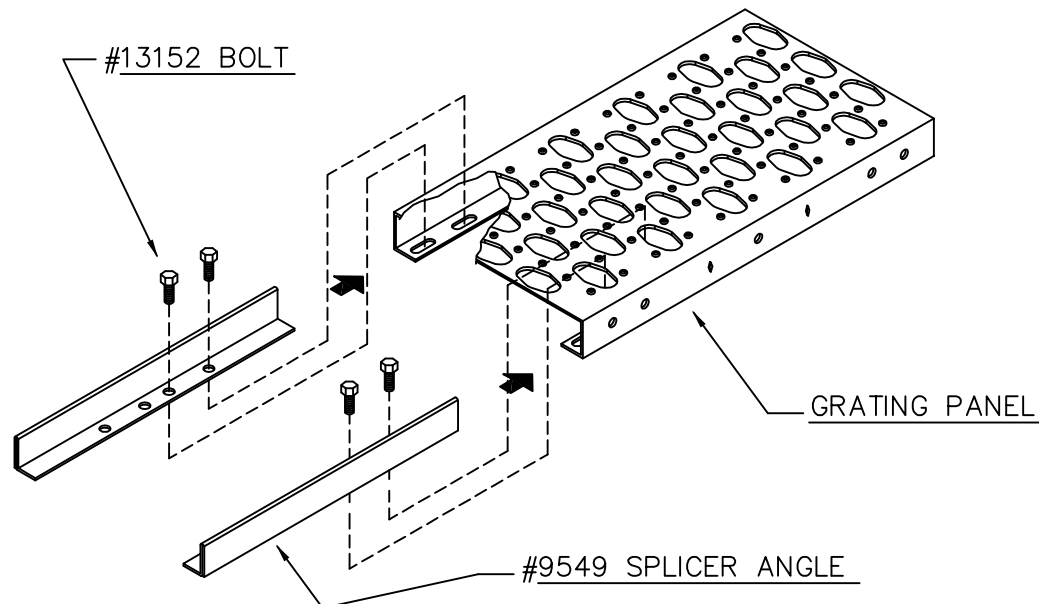
CLEAT ASS'Y



5. OPEN GRATING SPLICER ANGLE ASSEMBLY

NOTE

AFTER ALL MEZZANINE GRATING IS IN PLACE AND BOLTED DOWN, WALK BACK UNDER THE MEZZANINE AND MAKE CERTAIN ALL SPLICER ANGLES ARE IN PLACE AND BOLTED SECURELY.

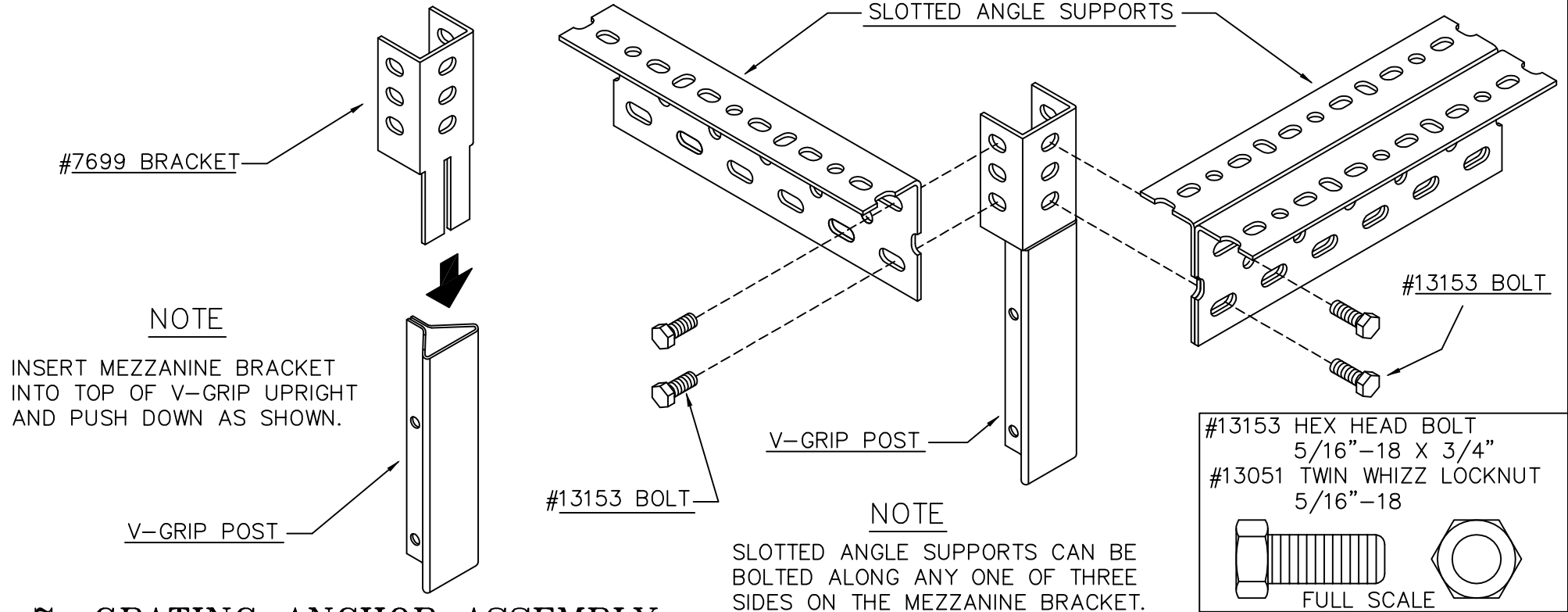


#13152 HEX HEAD BOLT
5/16"-18 X 5/8"
#13051 TWIN WHIZZ LOCKNUT
5/16"-18



FULL SCALE

6. MEZZANINE BRACKET ASSEMBLY



7. GRATING ANCHOR ASSEMBLY

