

114ASY

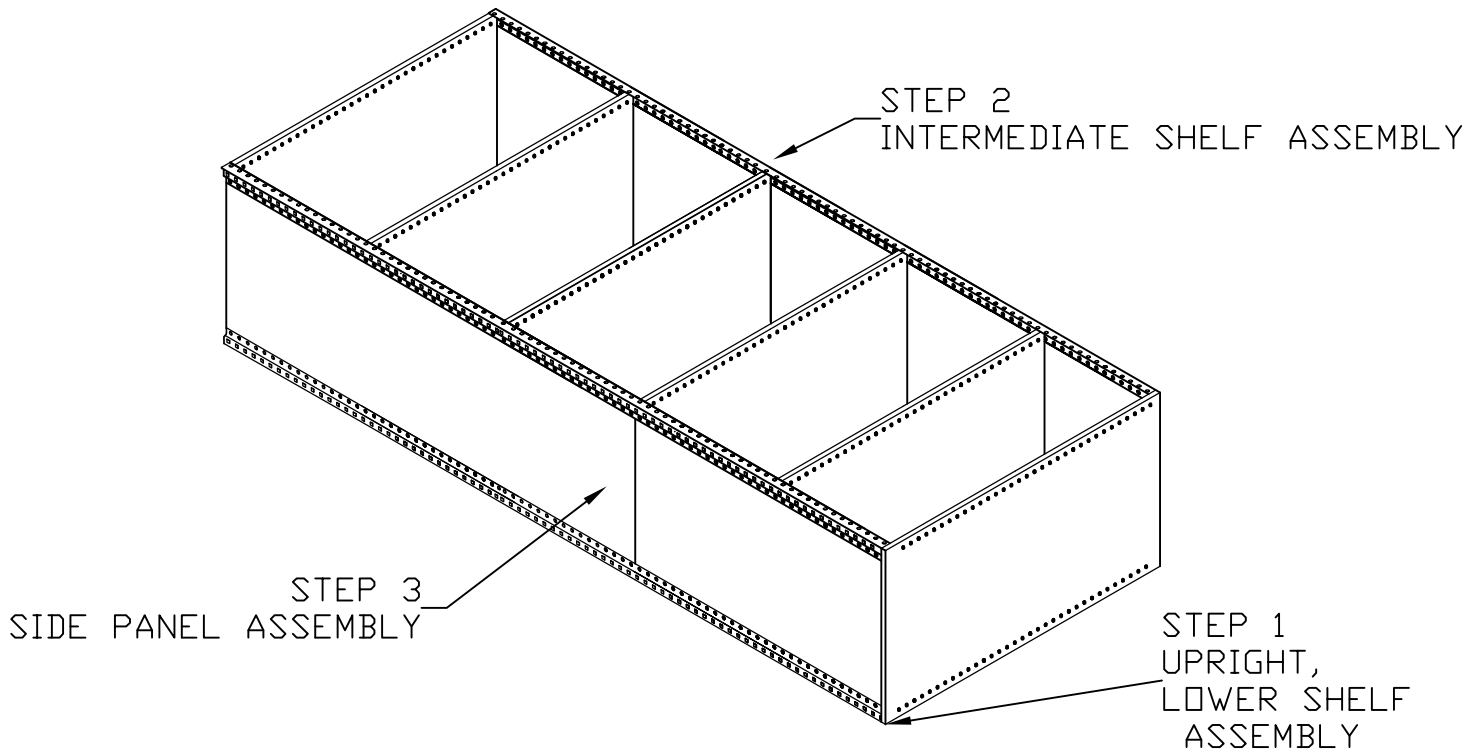


X RAY FILM AND
MAMMOGRAPHY FILE UNITS
Assembly Instructions

READ INSTRUCTIONS BEFORE ASSEMBLING

I

REFERENCE ASSEMBLY



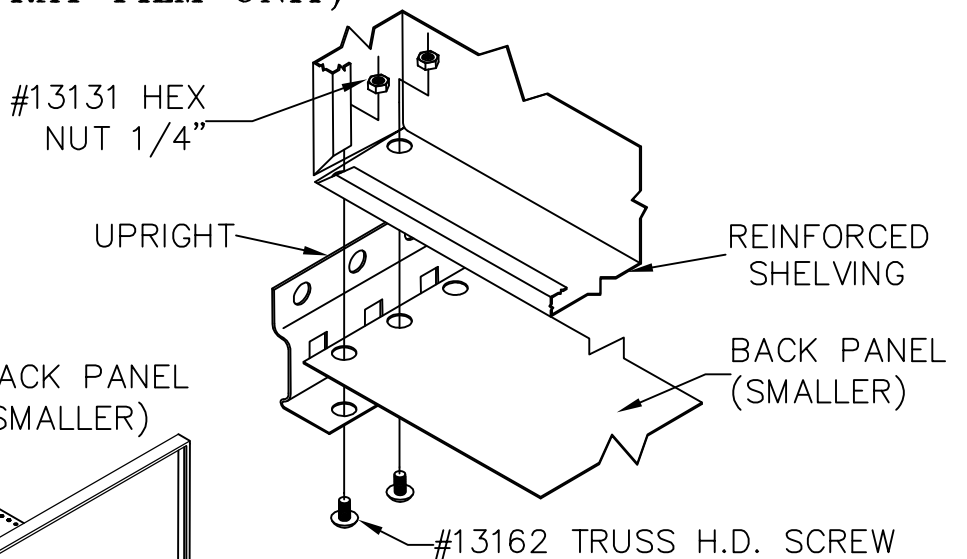
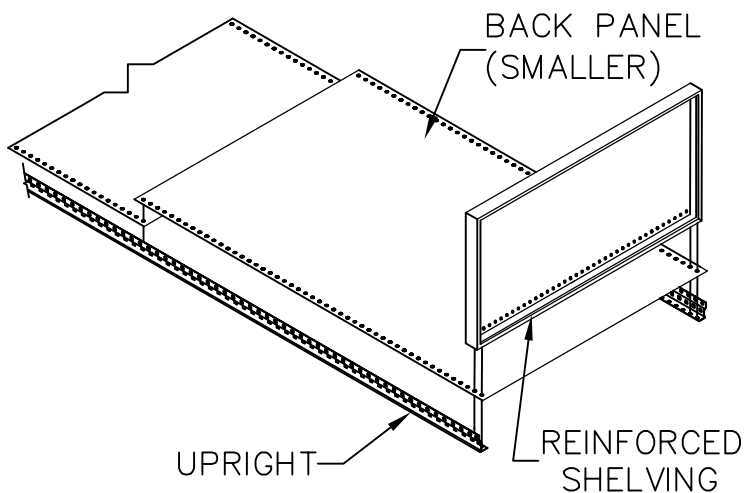
1a

UPRIGHT, LOWER SHELF ASSEMBLY

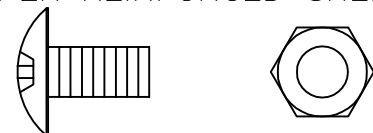
(X RAY FILM UNIT)

NOTE: DO NOT TIGHTEN BOLTS UNTIL UNIT IS COMPLETELY ASSEMBLED

NOTE: THE SMALLER BACK PANEL IS MOUNTED BELOW AND UNDER THE LARGER PANEL



#13162 TRUSS H.D. SCREW 1/4" x 1/2"
#13131 HEX NUT 1/4"
(4 PER SHELF)
(8 PER REINFORCED SHELF)



1b

UPRIGHT, LOWER SHELF ASSEMBLY

(MAMMOGRAPHY FILE UNITS)

NOTE: DO NOT TIGHTEN BOLTS UNTIL UNIT IS COMPLETELY ASSEMBLED

NOTE: THE SMALLER BACK PANEL IS MOUNTED BELOW AND UNDER THE LARGER PANEL

#13162 TRUSS H.D. SCREW

UPRIGHT

SANITARY BASE

SHELF

BACK PANEL (SMALLER)

SHELF

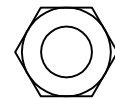
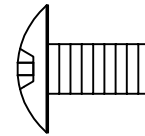
#13131 HEX NUT 1/4"

#13162 TRUSS H.D. SCREW 1/4" x 1/2"

#13131 HEX NUT 1/4"

(4 PER SHELF) (2 PER BASE)

UPRIGHT



2

INTERMEDIATE SHELF ASSEMBLY

NOTE: BOLTS ARE NOT REQUIRED IN THE SIDE OF THE SHELF

#13131 HEX NUT 1/4"

UPRIGHT

SHELF

UPRIGHT

SHELF

#13162 TRUSS H.D. SCREW

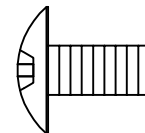
BACK PANEL

BACK PANEL

#13162 TRUSS H.D. SCREW 1/4" x 1/2"

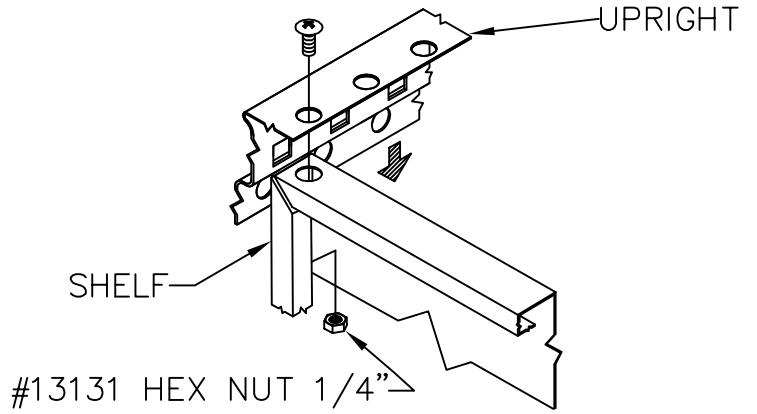
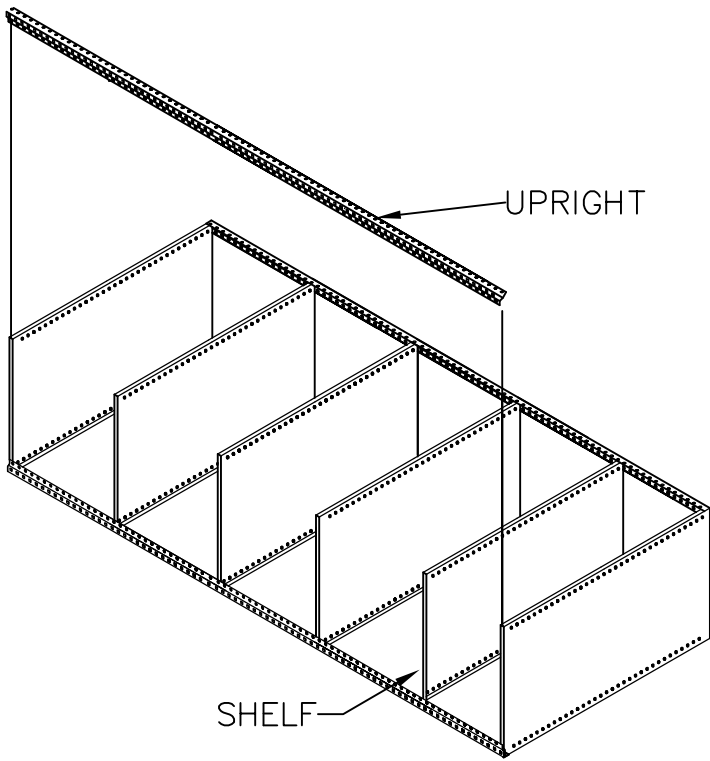
#13131 HEX NUT 1/4"

(4 PER SHELF)



3

FRONT UPRIGHT ASSEMBLY

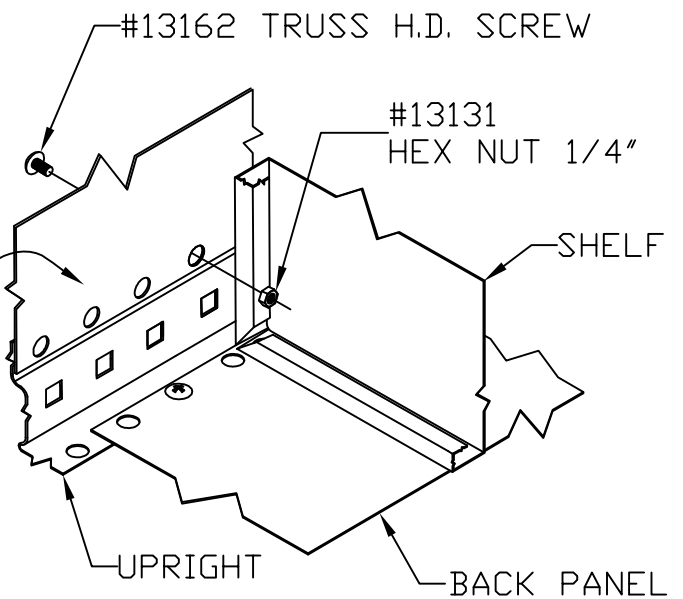
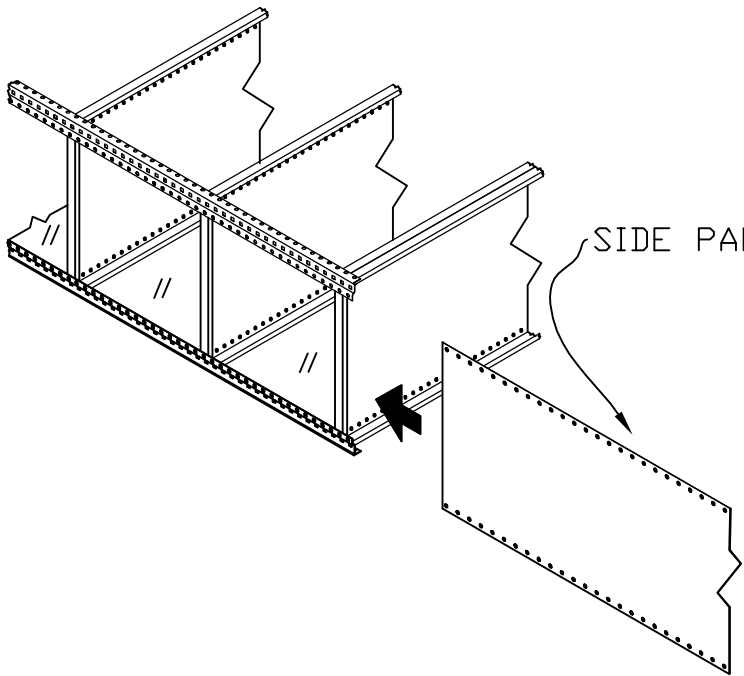


#13162 TRUSS H.D. SCREW 1/4" x 1/2"
 #13131 HEX NUT 1/4"
 (1 PER SHELF CORNER)

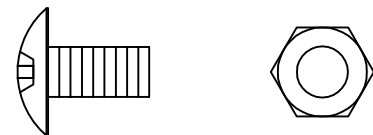


4

SIDE PANEL ASSEMBLY



#13162 TRUSS H.D. SCREW 1/4" x 1/2"
 #13131 HEX NUT 1/4"



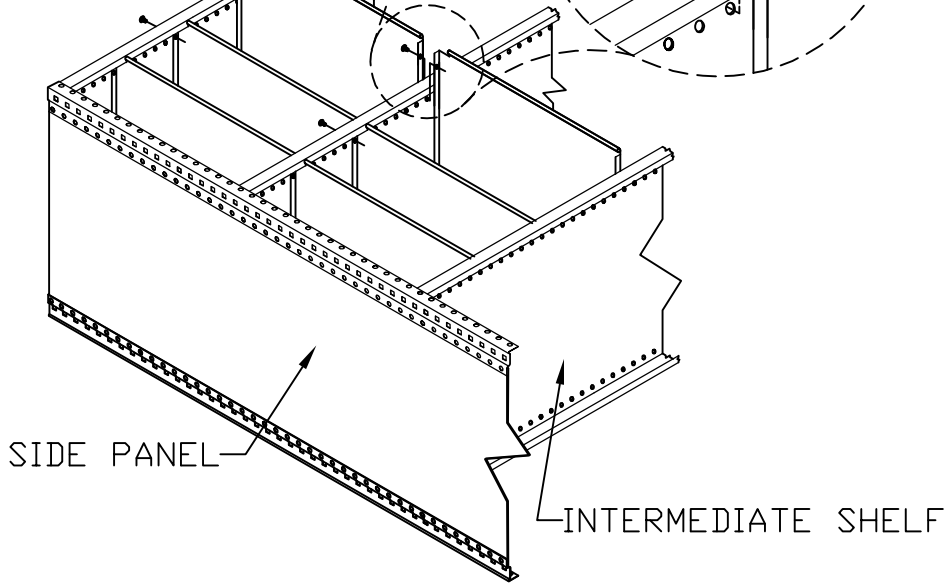
5

SHELF DIVIDER ASSEMBLY

#027-2868 PLASTIC RIVET

DIVIDER

NOTE: ASSEMBLE
DIVIDERS STARTING AT
THE TOP OF THE UNIT



SIDE PANEL

INTERMEDIATE SHELF

#027-2868 PLASTIC RIVET
(4 PER DIVIDER)

