

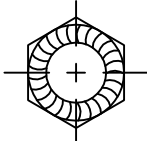
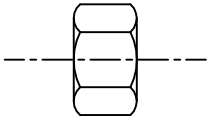
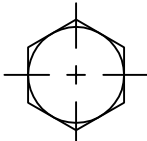
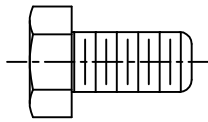
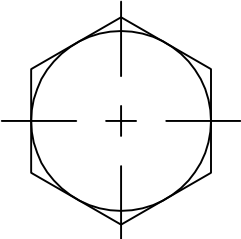
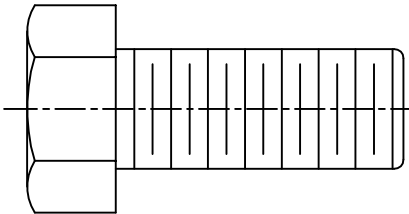
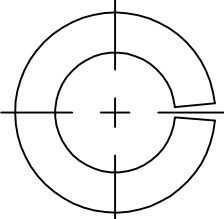
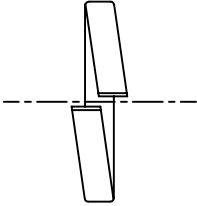
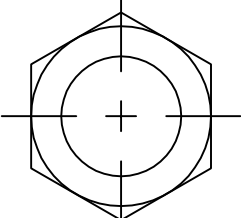
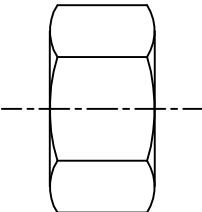
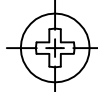
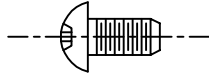

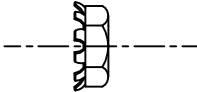
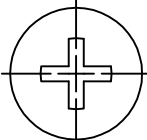
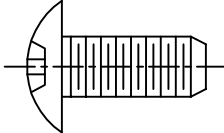
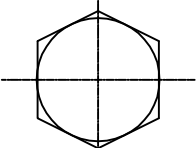
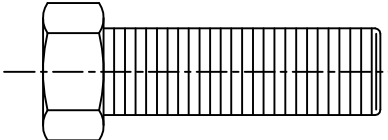
41510ASY

EQUIPTO

Walkway Assembly
Instructions

READ INSTRUCTIONS BEFORE ASSEMBLING

A. HARDWARE LIST

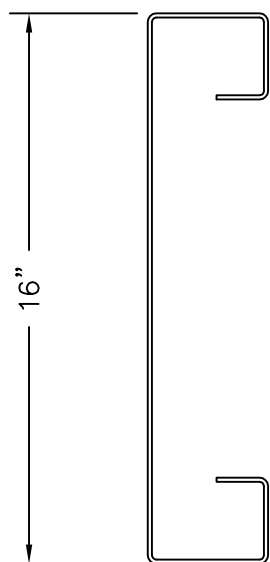
NO.	DESCRIPTION	HARDWARE (SCALE: 1"=1")	
#13051	LOCK NUT 5/16		
#13152	HEX HEAD BOLT 5/16" x 5/8"		
#13101	HEX HEAD BOLT 5/8" x 1 1/2"		
#13102	SPRING LOCKWASHER 5/8"		
#13103	HEX NUT 5/8"		
#13160	TRUSS HEAD MACHINE SCREW #10 x 3/8"		
#13061	KEPS SHAKEPROOF NUT #10		
#13154	TRUSS HEAD MACHINE SCREW 5/16" x 3/4"		
# 991809H	5/8" x 2" HEX HEAD BOLT		

B. WALKWAY CATALOG NUMBERS AND BEAM SIZES

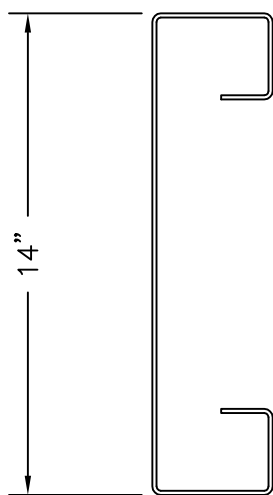
WALKWAY CATALOG NUMBERS

WALKWAY WIDTH	WALKWAY LENGTH							
	2'	4'	6'	8'	10'	12'	16'	20'
2'	972-02	972-04	972-06	972-08	972-10	972-12	972-16	972-20
4'	974-02	974-04	974-06	974-08	974-10	974-12	974-16	974-20

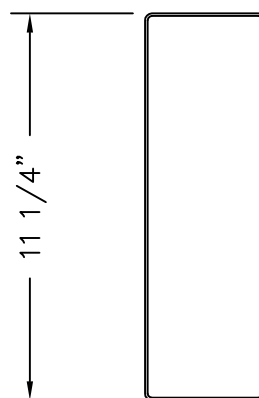
WALKWAY BEAM SIZES



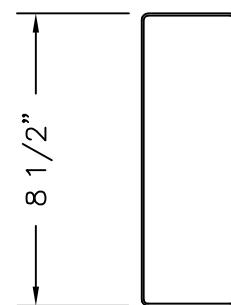
#9999
16" X 20' BEAM



#9998
14" X 16' BEAM



#9997
11 1/4" X 12' BEAM



#9962
8 1/2" X 2' BEAM
#9963
8 1/2" X 4' BEAM
#9964
8 1/2" X 6' BEAM
#9965
8 1/2" X 8' BEAM
#9966
8 1/2" X 10' BEAM

BEAM LENGTHS ARE NOMINAL – ACTUAL LENGTHS ARE 8 3/4" LESS THAN NOMINAL.

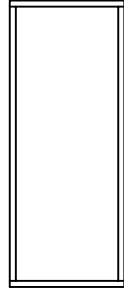
C. FRAMING AND FLOOR SUPPORT LAYOUTS

WITHOUT FLOOR SUPPORT

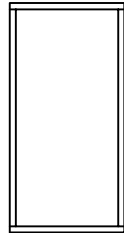
WALKWAY LENGTH



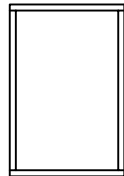
8 1/2" X 10'
#9966 BEAM



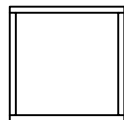
8 1/2" X 8'
#9965 BEAM



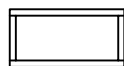
8 1/2" X 6'
#9964 BEAM



8 1/2" X 4'
#9963 BEAM



8 1/2" X 2'
#9962 BEAM



8 1/2" X 2'
#9962 BEAM

8 1/2" X 4'
#9963 BEAM



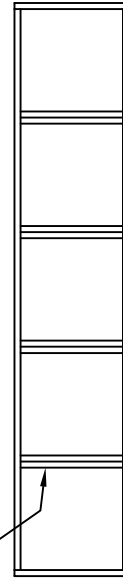
WALKWAY WIDTH

WITH FLOOR SUPPORT

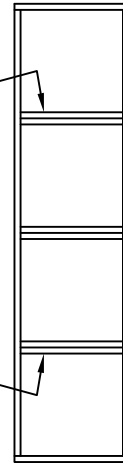
WALKWAY LENGTH



16" X 20'
#9999 BEAM

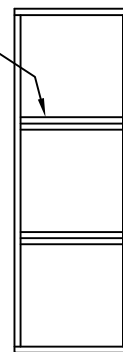


14" X 16'
#9998 BEAM



DOUBLE BEAMS

11 1/4" X 12'
#9997 BEAM



8 1/2" X 2'
#9962 BEAM

8 1/2" X 4'
#9963 BEAM



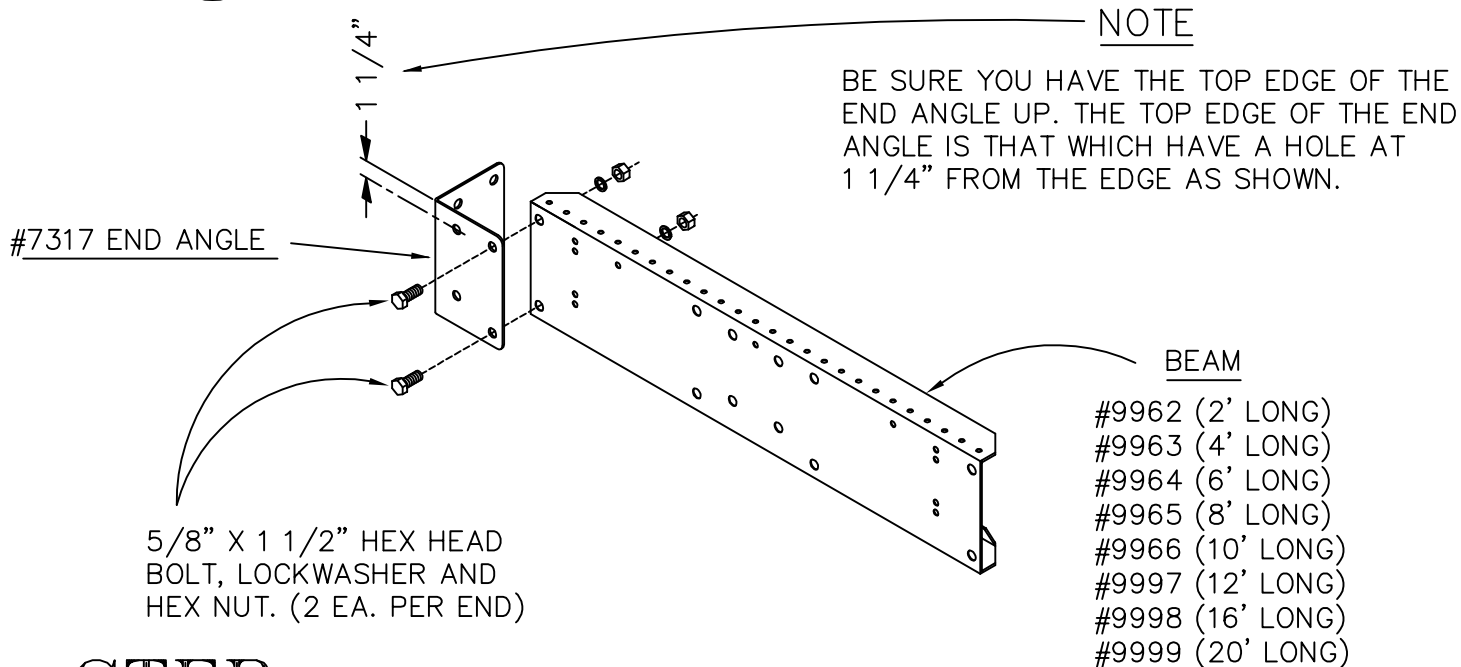
WALKWAY WIDTH

D. ASSEMBLY PROCEDURE

STEP

1

END ANGLE ASSEMBLY



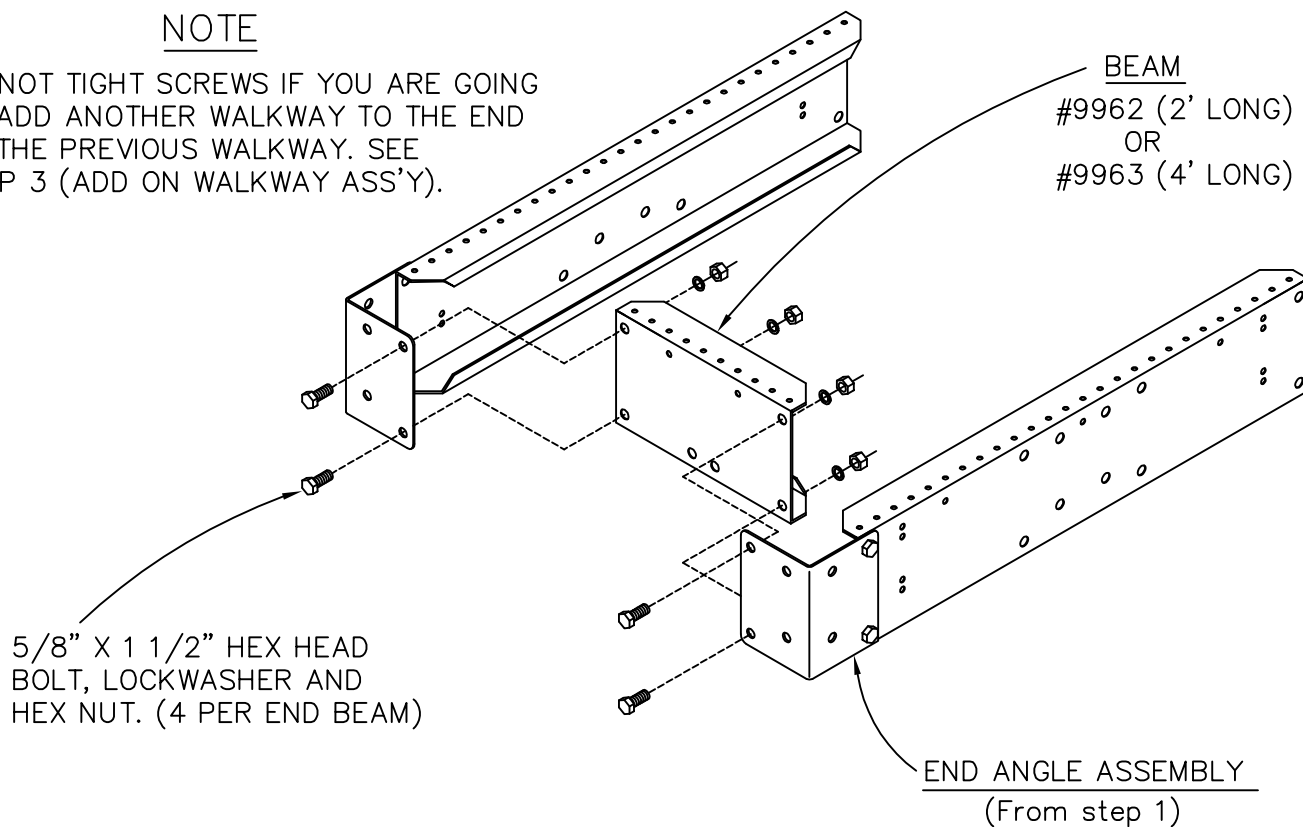
STEP

2

FRAME ASSEMBLY

NOTE

DO NOT TIGHT SCREWS IF YOU ARE GOING TO ADD ANOTHER WALKWAY TO THE END OF THE PREVIOUS WALKWAY. SEE STEP 3 (ADD ON WALKWAY ASS'Y).



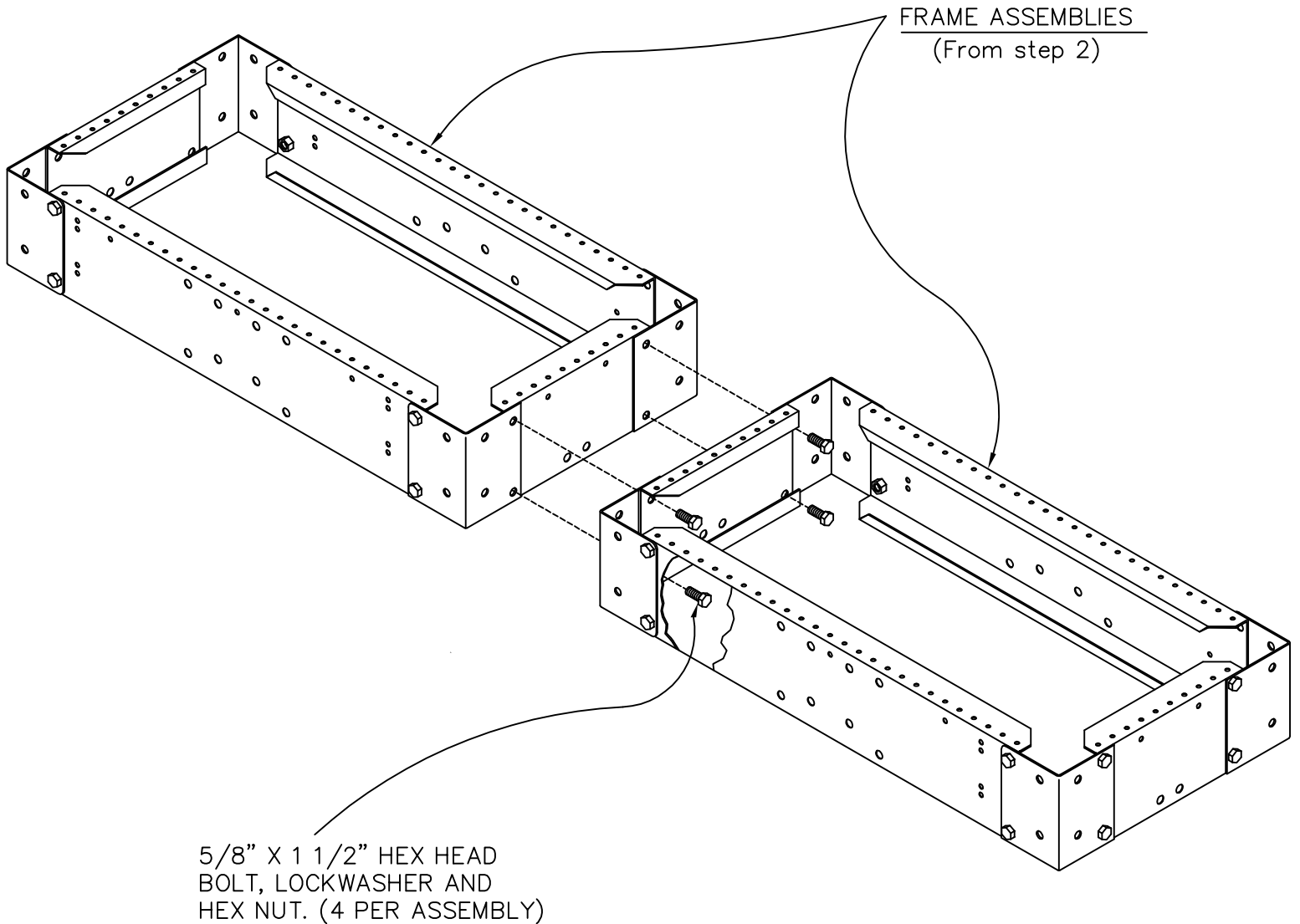
STEP

3

ADD ON WALKWAY ASSEMBLY

NOTE

MOVE FRAME ASSEMBLIES TO FINAL LOCATION AND BOLT IN PLACE AS SHOWN.
IF YOU HAVE MORE WALKWAYS TO ADD ON CONTINUE UNTIL THE ENTIRE WALKWAY FRAMEWORK IS COMPLETED.
TIGHTEN ALL HARDWARE.

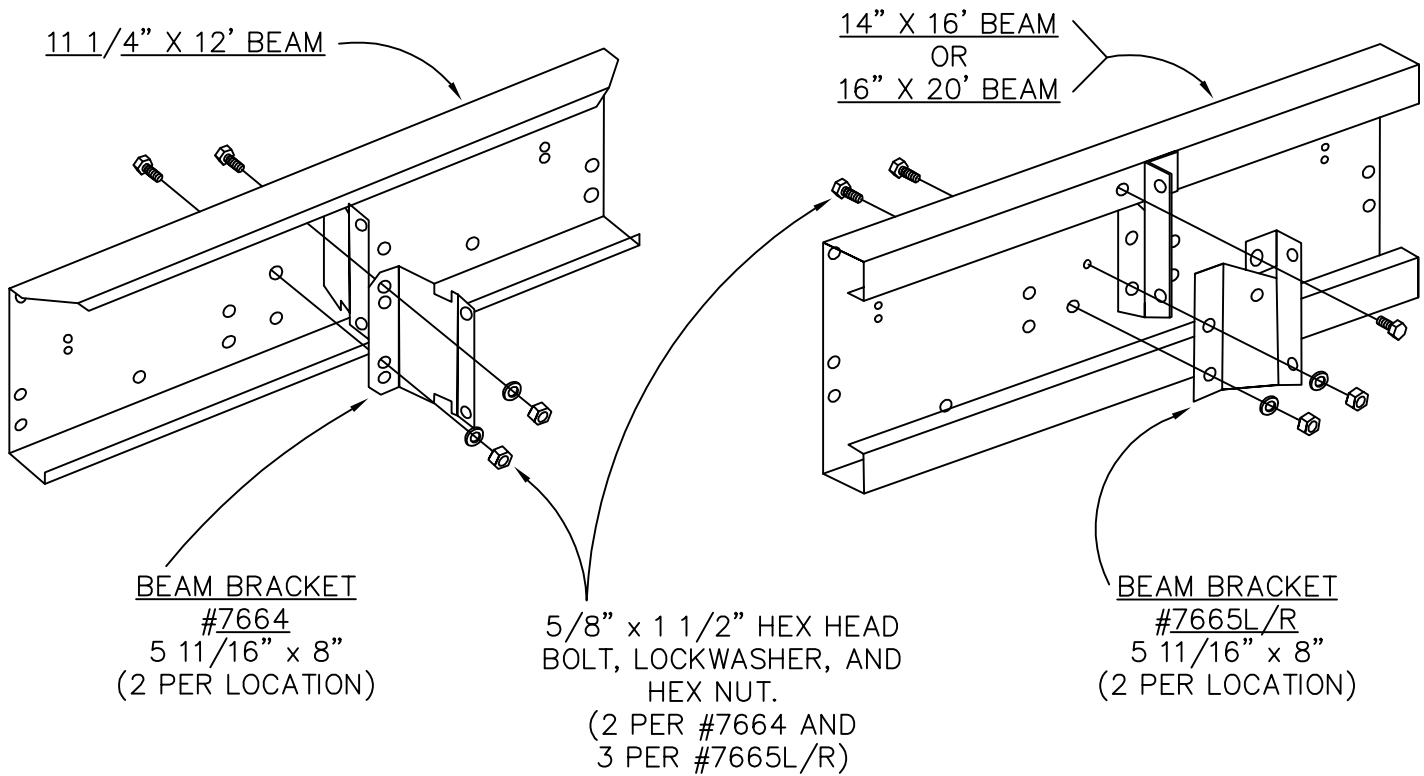


STEP

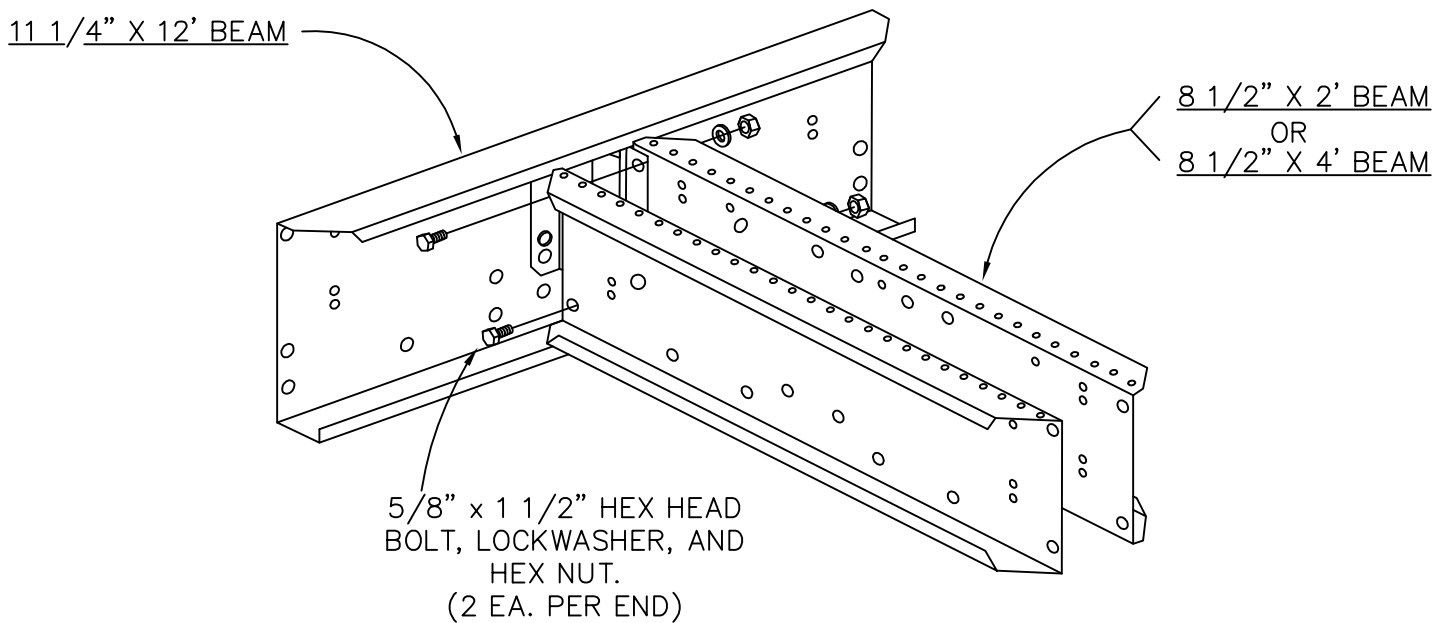
4

INTERNAL BEAMS INSTALLATION

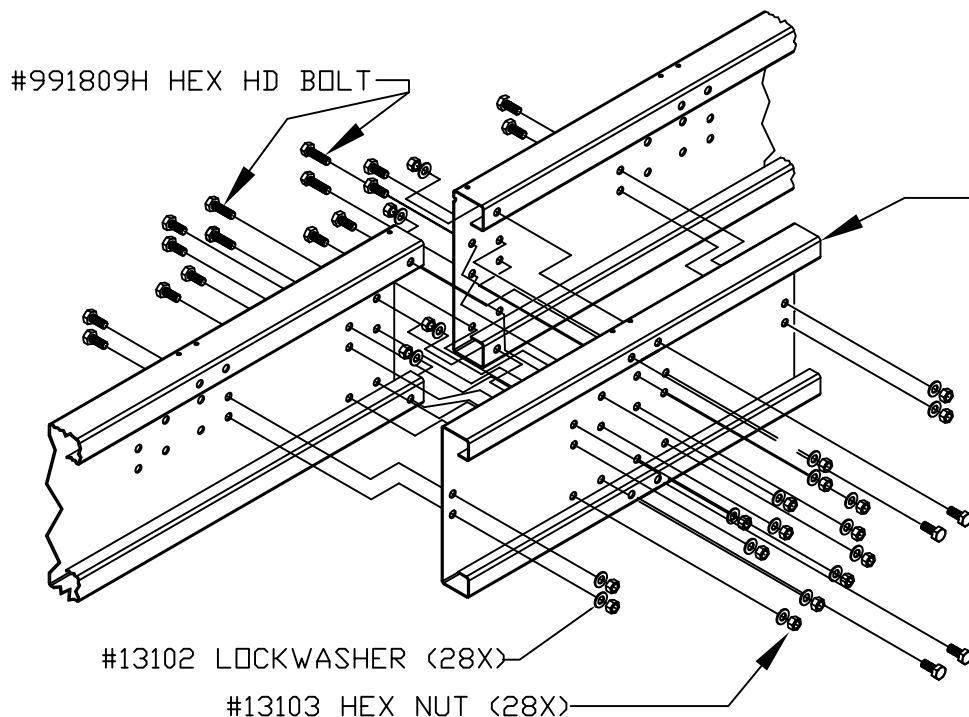
a) BEAM BRACKETS INSTALLATION



b) INTERNAL BEAMS INSTALLATION

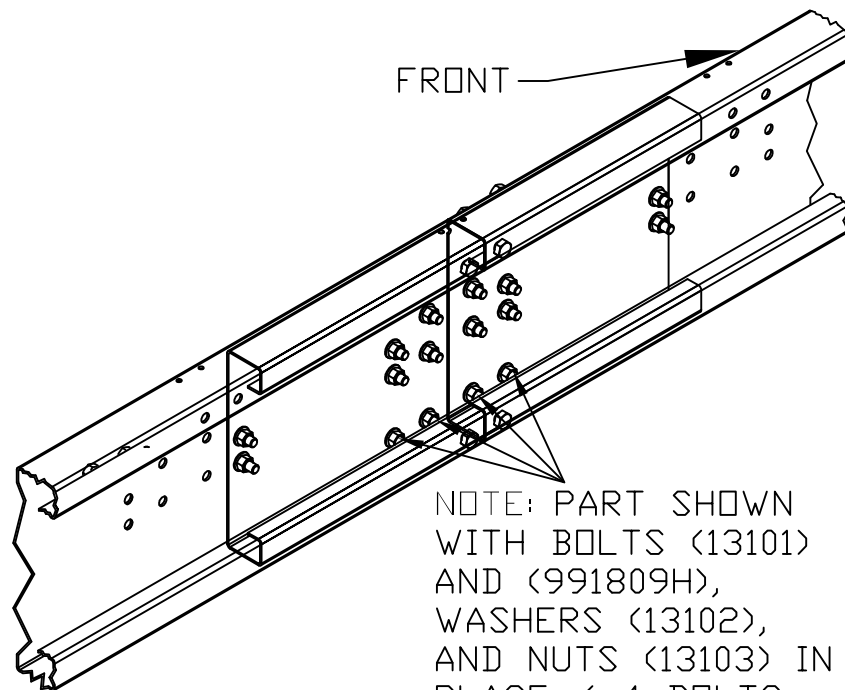


c) BEAM SPLICE ASSEMBLY FOR 16'-18'-20' ONLY



9994C FOR 18' BEAM ASY
9998C FOR 16' BEAM ASY
9999C FOR 20' BEAM ASY
TELESCOPE INSIDE BEAMS.

- (1) SLIDE CENTER BEAM INTO PLACE AS SHOWN ON PAGE 2. (NOTE: CENTER BEAM TELESCOPES INTO LEFT AND RIGHT BEAMS SHOWN.)
- (2) WHEN HOLES IN THE CENTER BEAM ARE ALIGNED WITH THE HOLES IN THE LEFT AND RIGHT BEAMS, ATTACH THE (#13101) AND (#991809H) HEX HEAD BOLTS, WASHERS (13102) AND HEX NUTS (#13103) AND TIGHTEN.
- (3) 20-2" LONG (991809H) BOLTS HAVE BEEN FURNISHED FOR FACE TO FACE INSTALLATION. BALANCE OF BOLTS ARE 1-1/2" LONG (#13101)

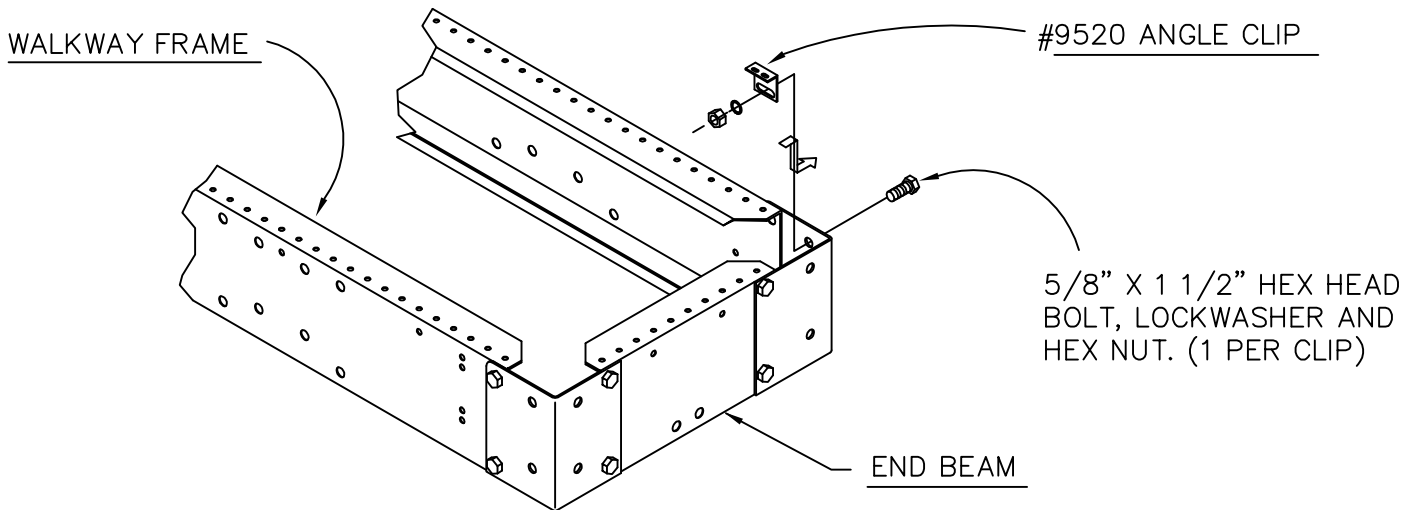


NOTE: PART SHOWN WITH BOLTS (13101) AND (991809H), WASHERS (13102), AND NUTS (13103) IN PLACE. (4 BOLTS INSERTED FROM THIS SIDE).

STEP 5 FLOOR INSTALLATION

a) ANGLE CLIP INSTALLATION

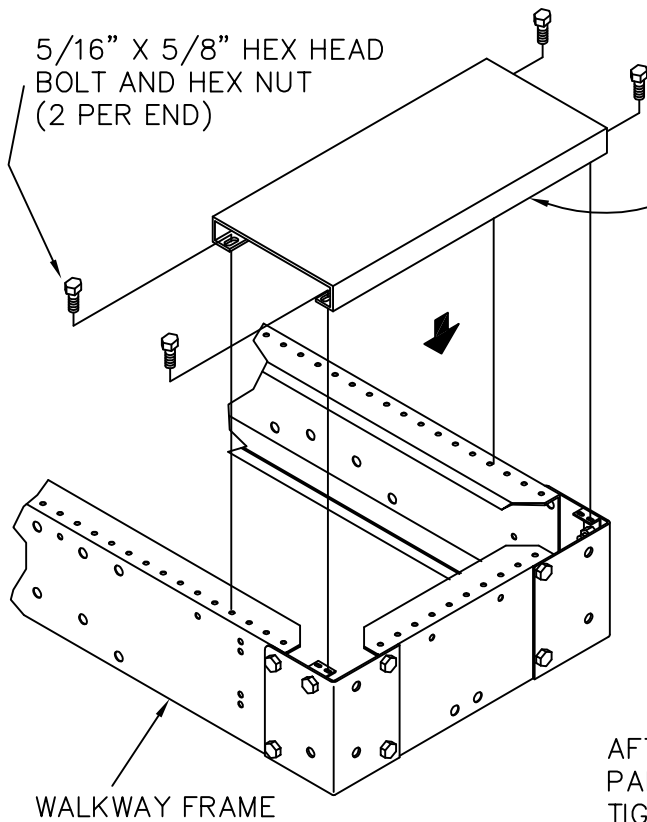
BE SURE ANGLE CLIPS ARE POSITIONED PARALLEL WITH THE DIRECTION OF THE GRATING PANELS.



b) GRATING PANEL INSTALLATION

FOR FRAME WITHOUT FLOOR SUPPORT

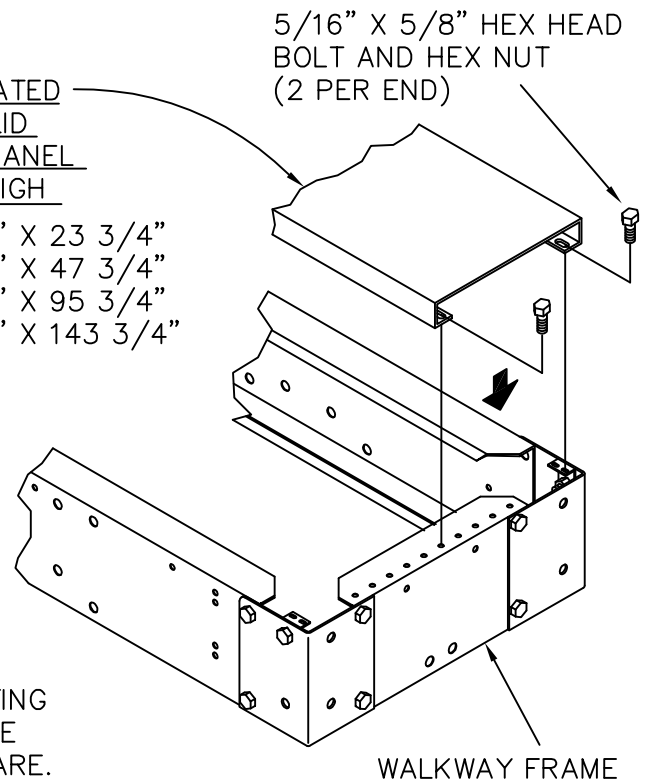
NOTE: GRATING PANELS ARE INSTALLED PARALLEL WITH THE END BEAM.



FOR FRAME WITH FLOOR SUPPORT

NOTE: GRATING PANELS ARE INSTALLED PERPENDICULAR TO THE INTERNAL BEAMS.

- #16142 - 11 7/8" X 23 3/4"
- #16144 - 11 7/8" X 47 3/4"
- #16148 - 11 7/8" X 95 3/4"
- #16152 - 11 7/8" X 143 3/4"



NOTE

AFTER ALL THE GRATING PANELS ARE IN PLACE TIGHTEN ALL HARDWARE.

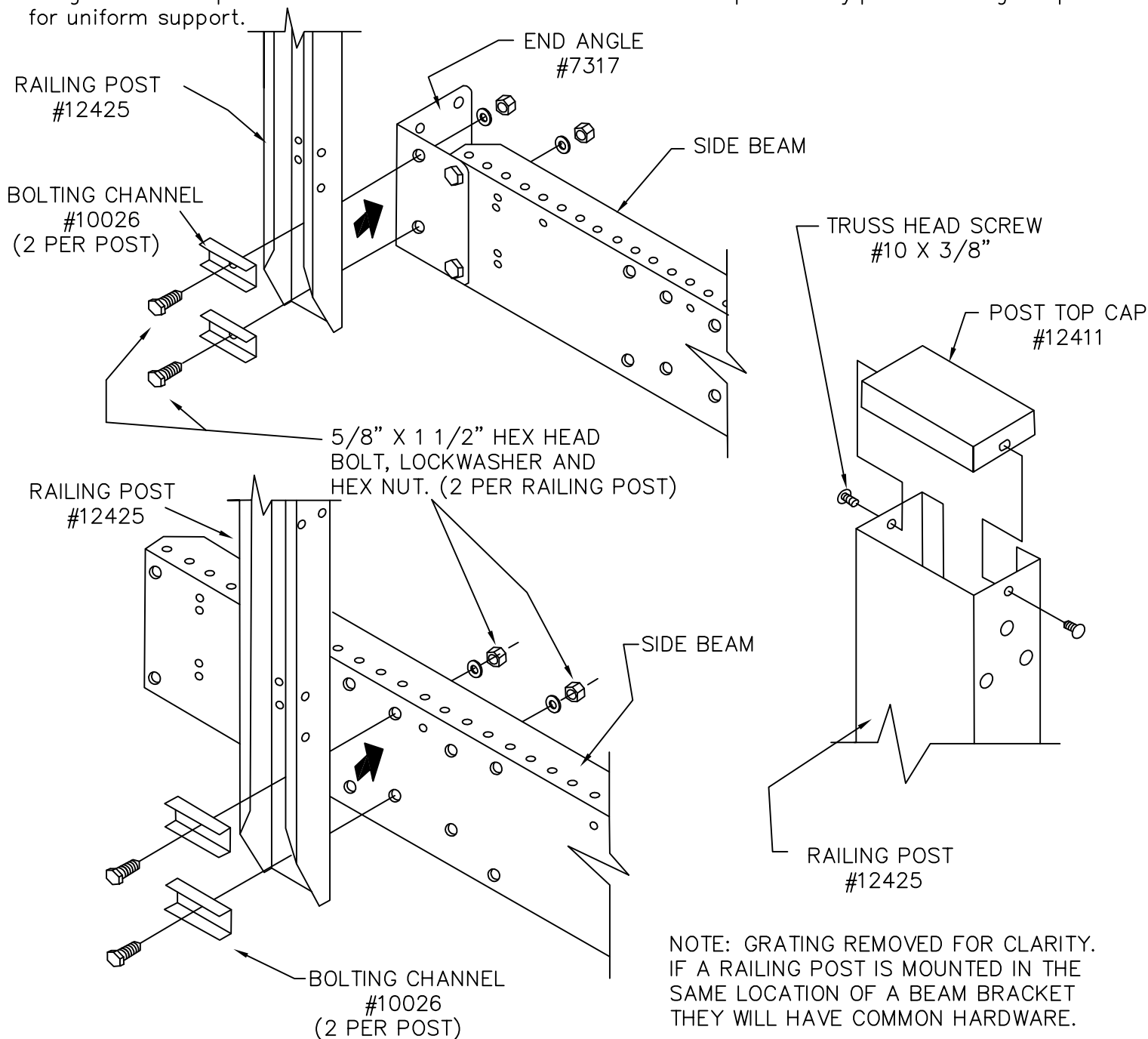
STEP

6a

RAILING ASSEMBLY

NOTE: DO NOT TIGHTEN HARDWARE ON RAILING UNTIL SPECIFIED

1. Fasten the railing post to the walkway framework in their appropriate position. Use two bolting channels per railing post as shown below.
2. Insert post top caps into the railing post and bolt in place. Where posts are side by side, bolt caps at the center with a common bolt and nut. Tighten all the post cap hardware at this time.
3. Insert railing brackets in the ends of the railing channels. Position the flanges on the brackets to the side of the railing channel which has a gap in it. Bolt bracket into place. (Step 6b)
4. With the flanges pointing downward, position the railing channel assemblies between the railing posts in their proper locations and bolt into place. (Step 6b)
5. Fasten the kickplate end angles to the railing post as shown in Step 7.
6. Position the kickplates with the flanges turned to the outside of walkway and bolt to the kickplate end angles. For kickplates 8' or longer bolt 2 kickplate angle clips along the bottom flange of the kickplate and to the external beam as shown in Step 8. Evenly place the angle clips for uniform support.



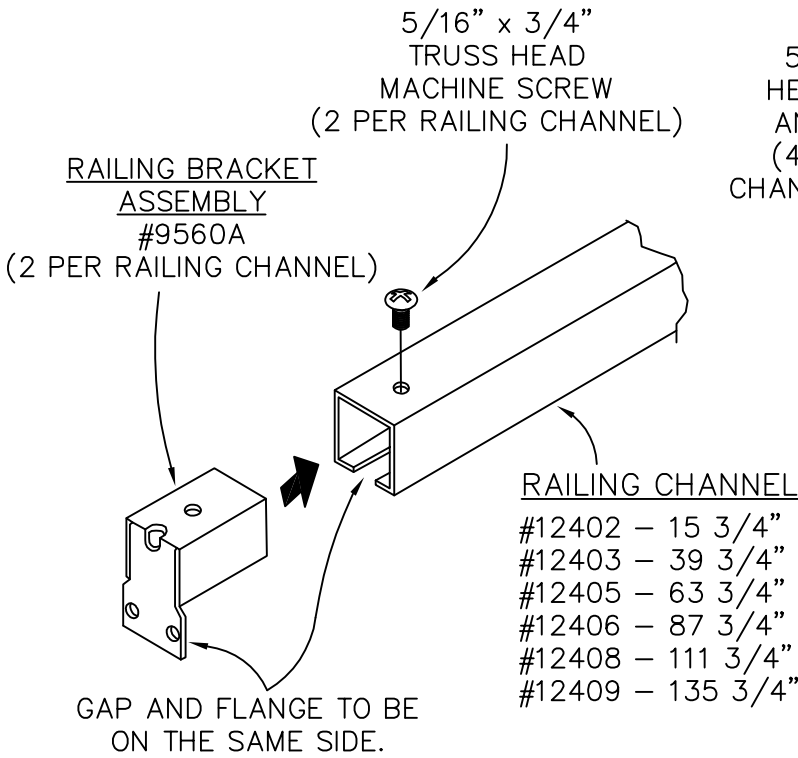
NOTE: GRATING REMOVED FOR CLARITY. IF A RAILING POST IS MOUNTED IN THE SAME LOCATION OF A BEAM BRACKET THEY WILL HAVE COMMON HARDWARE.

STEP

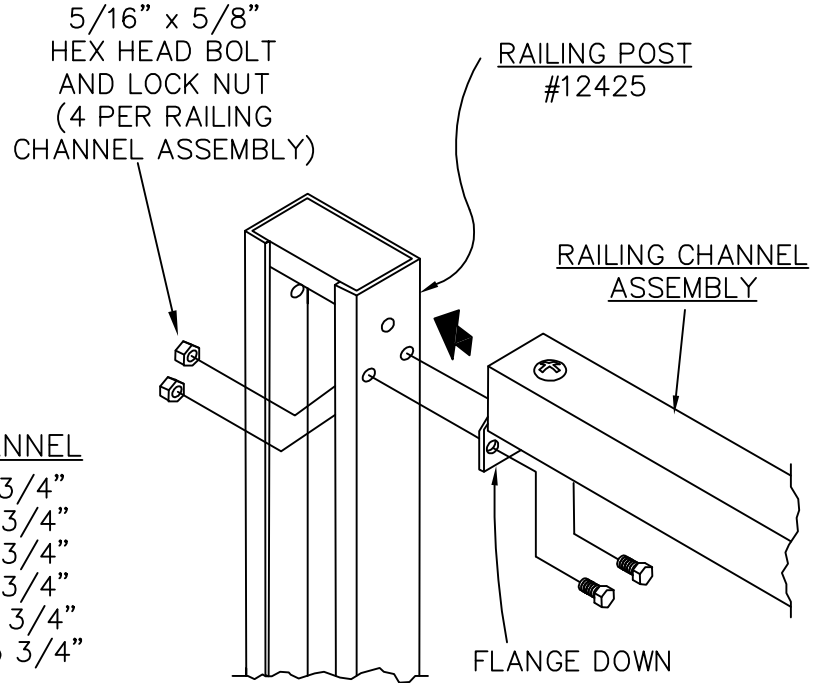
6b

RAILING ASSEMBLY

RAILING CHANNEL ASSEMBLY

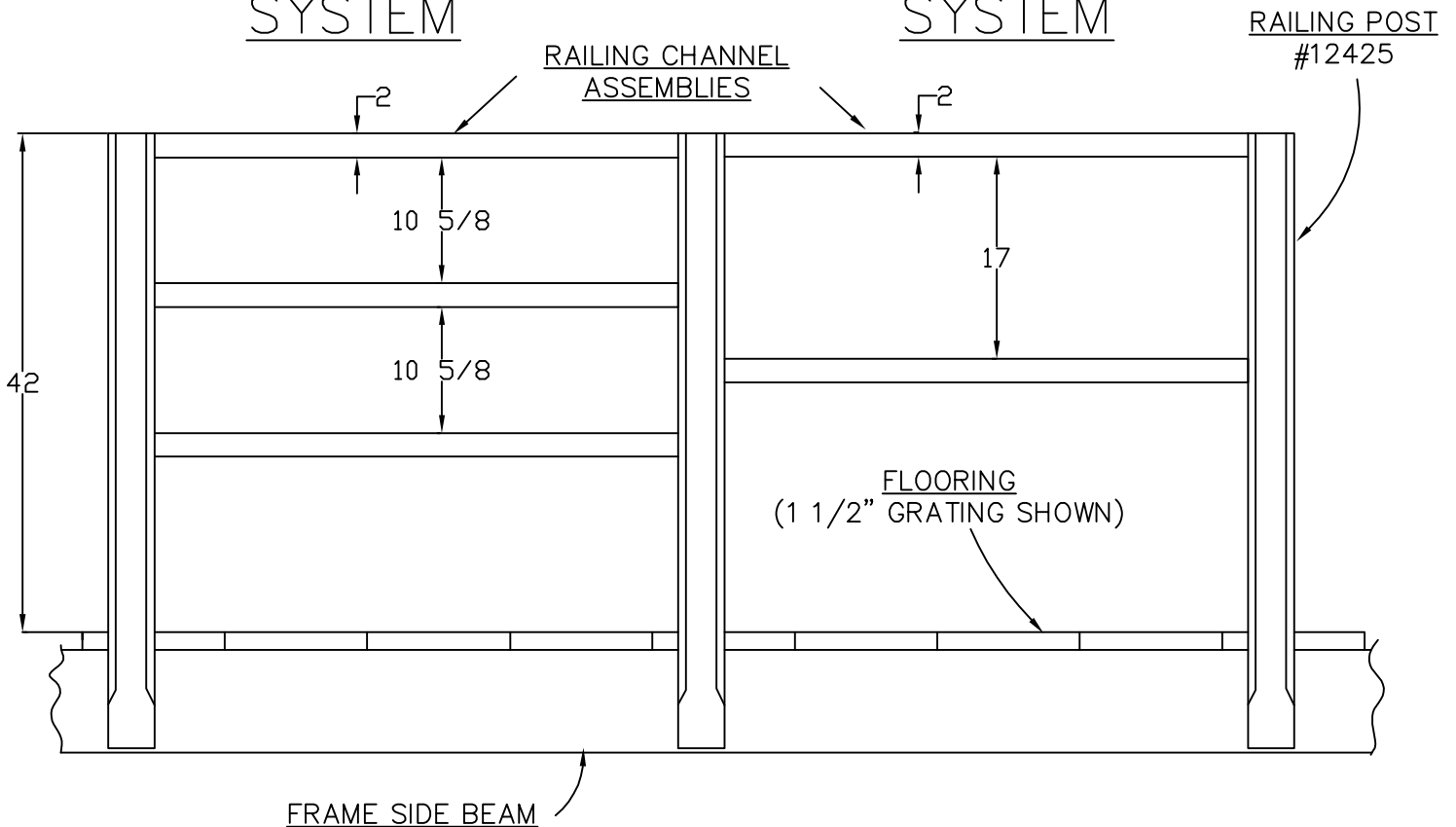


PLACEMENT OF RAILING CHANNEL ASSEMBLIES



THREE RAIL SYSTEM

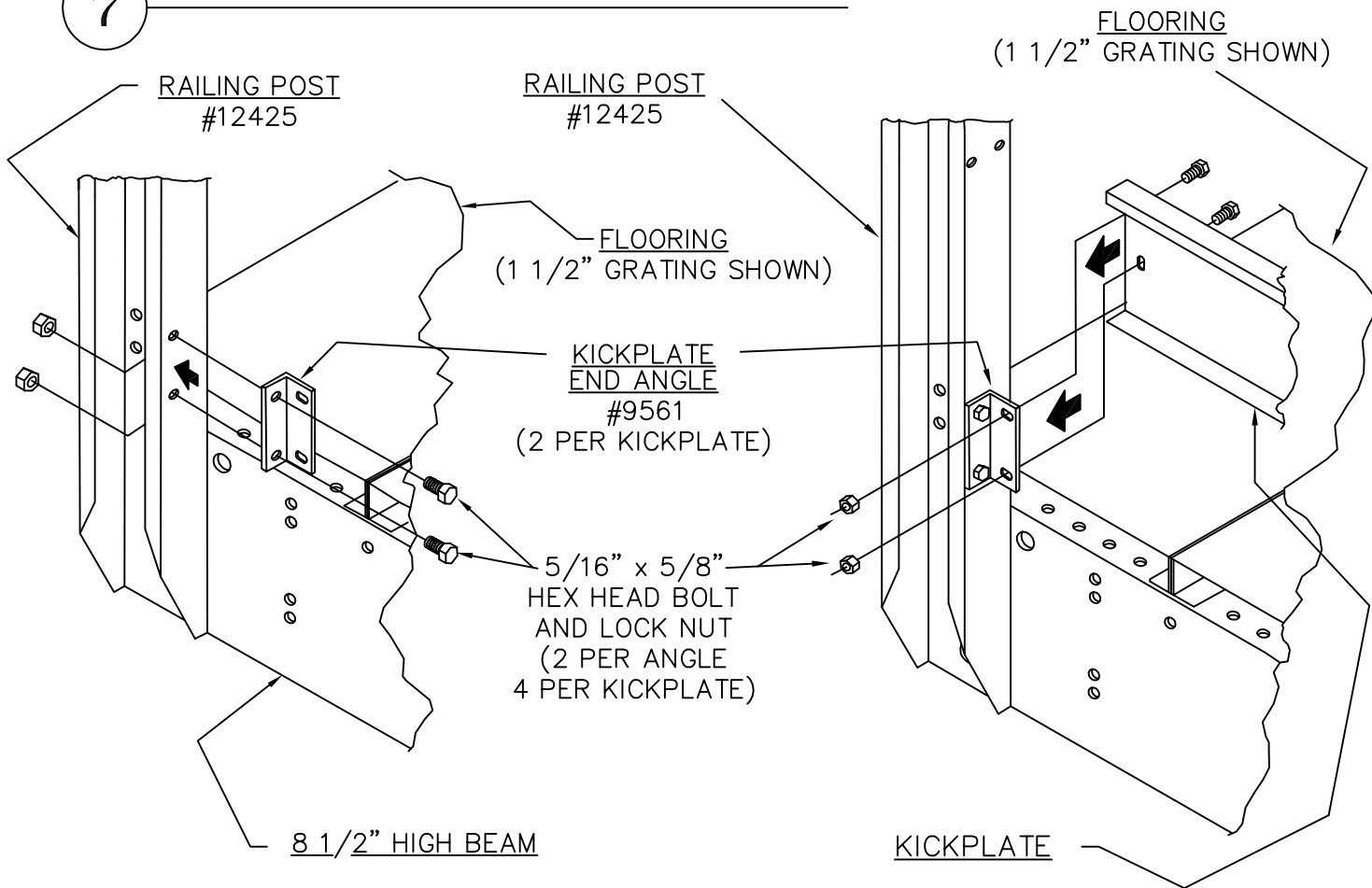
TWO RAIL SYSTEM



STEP

7

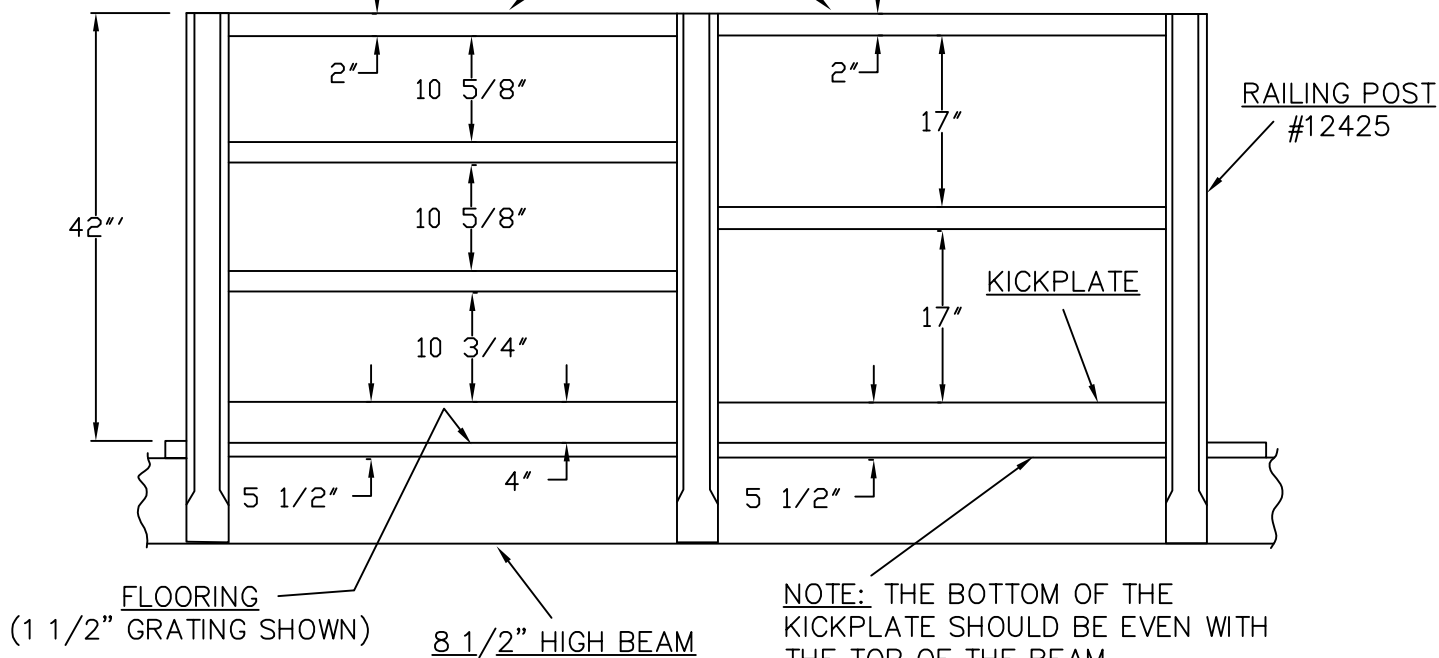
KICKPLATE ASSEMBLY



THREE RAIL SYSTEM

TWO RAIL SYSTEM

RAILING CHANNEL ASSEMBLIES



STEP

8

KICKPLATE ANGLE CLIP ASSEMBLY

(FOR KICKPLATES 8' OR LONGER)

