

0034A

---

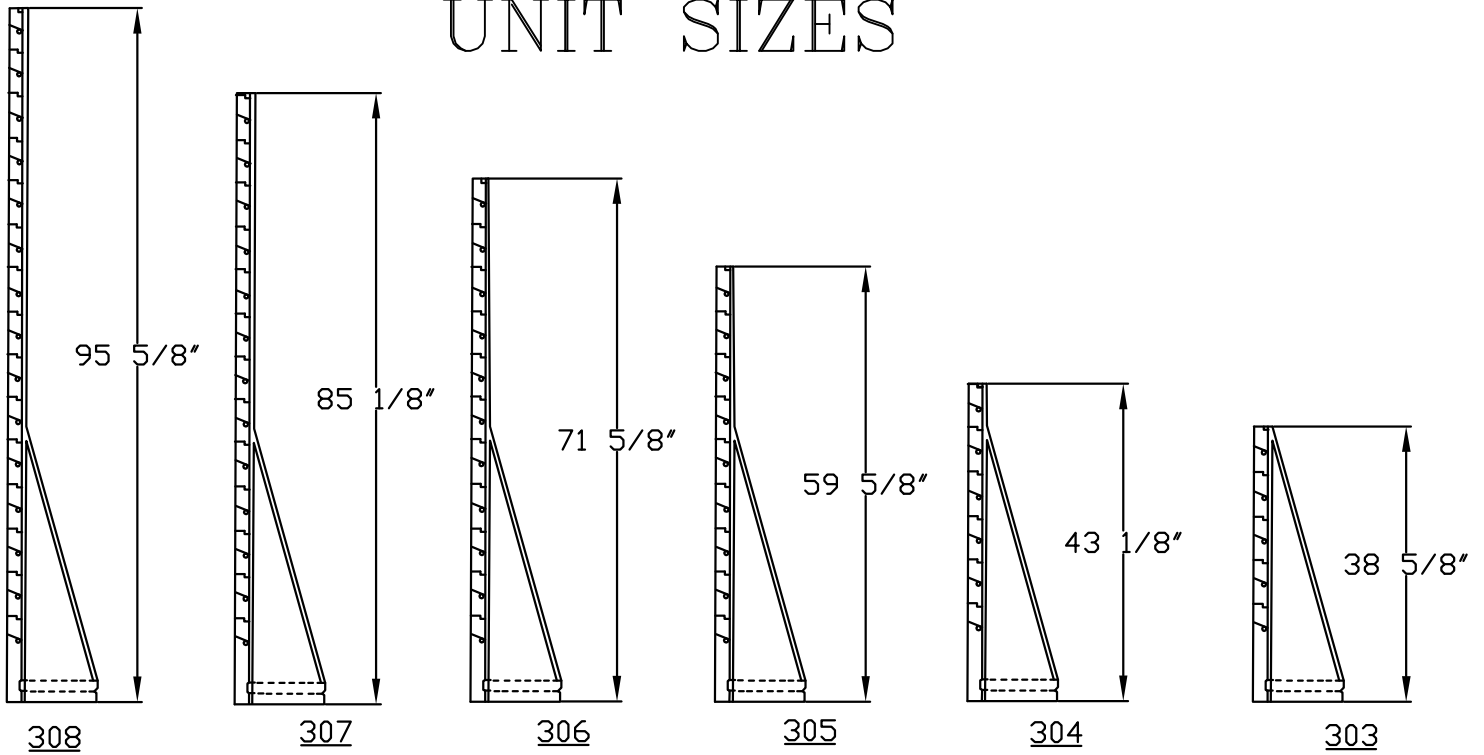
**EQUIPTO**

---

Pickrack Assembly  
Instructions

**READ INSTRUCTIONS BEFORE ASSEMBLING**

# UNIT SIZES



SAFETY PRECAUTION  
 PICK RACKS CAN BE ACCIDENTALLY OVERTURNED DURING NORMAL USE. WHENEVER POSSIBLE, ANCHOR THE PICK RACK TO A WALL THROUGH THE HOLES IN THE UPRIGHTS.

## REFERENCE 307 SHOWN

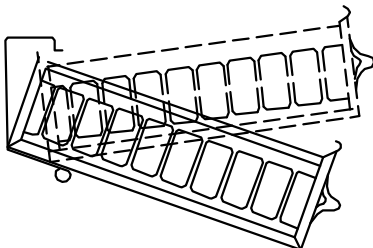
PICK RACK BRACKETS  
 =PAGE 1=

R.H. UPRIGHT  
 =PAGE 1=

SHELF  
 =PAGE 3=

R.H. END BRACE  
 =PAGE 2,3=

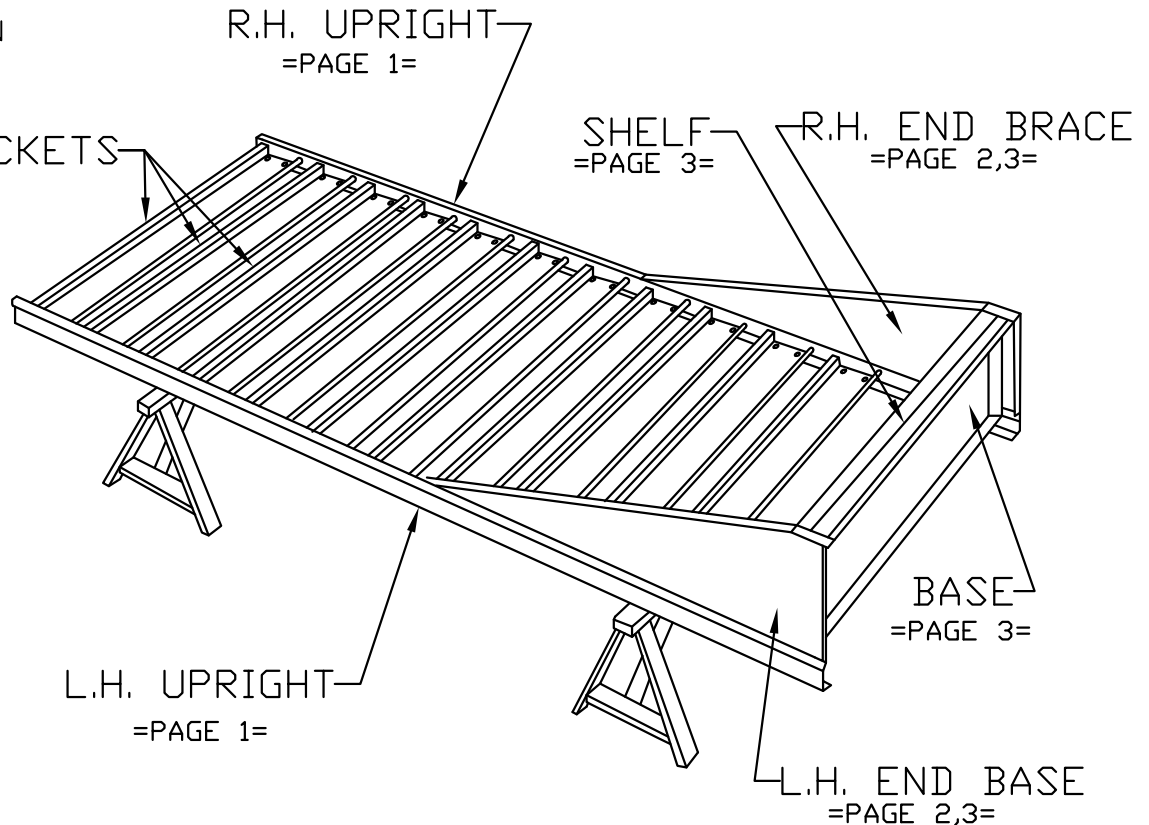
DRAWER MOUNTING



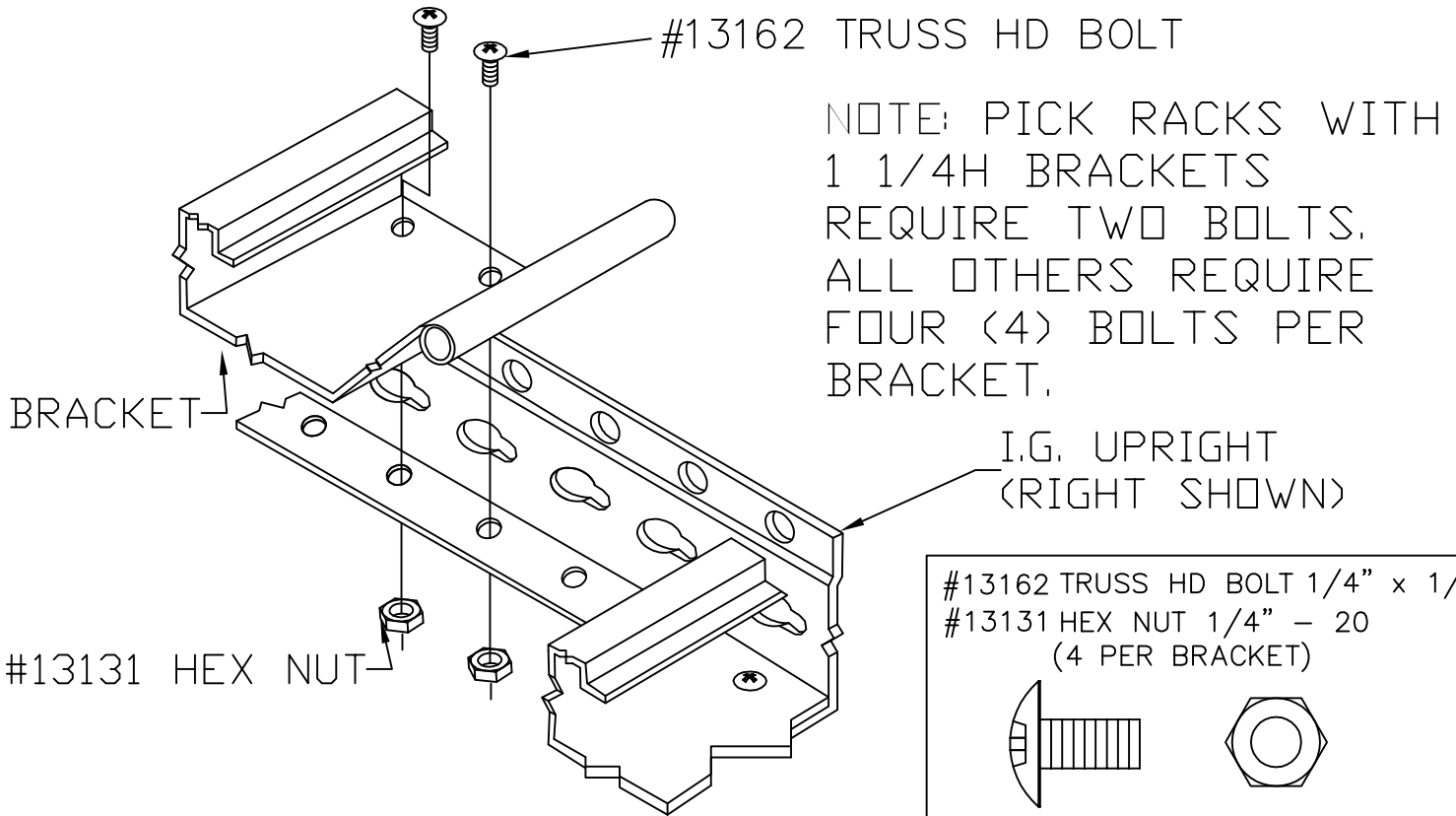
L.H. UPRIGHT  
 =PAGE 1=

BASE  
 =PAGE 3=

L.H. END BASE  
 =PAGE 2,3=

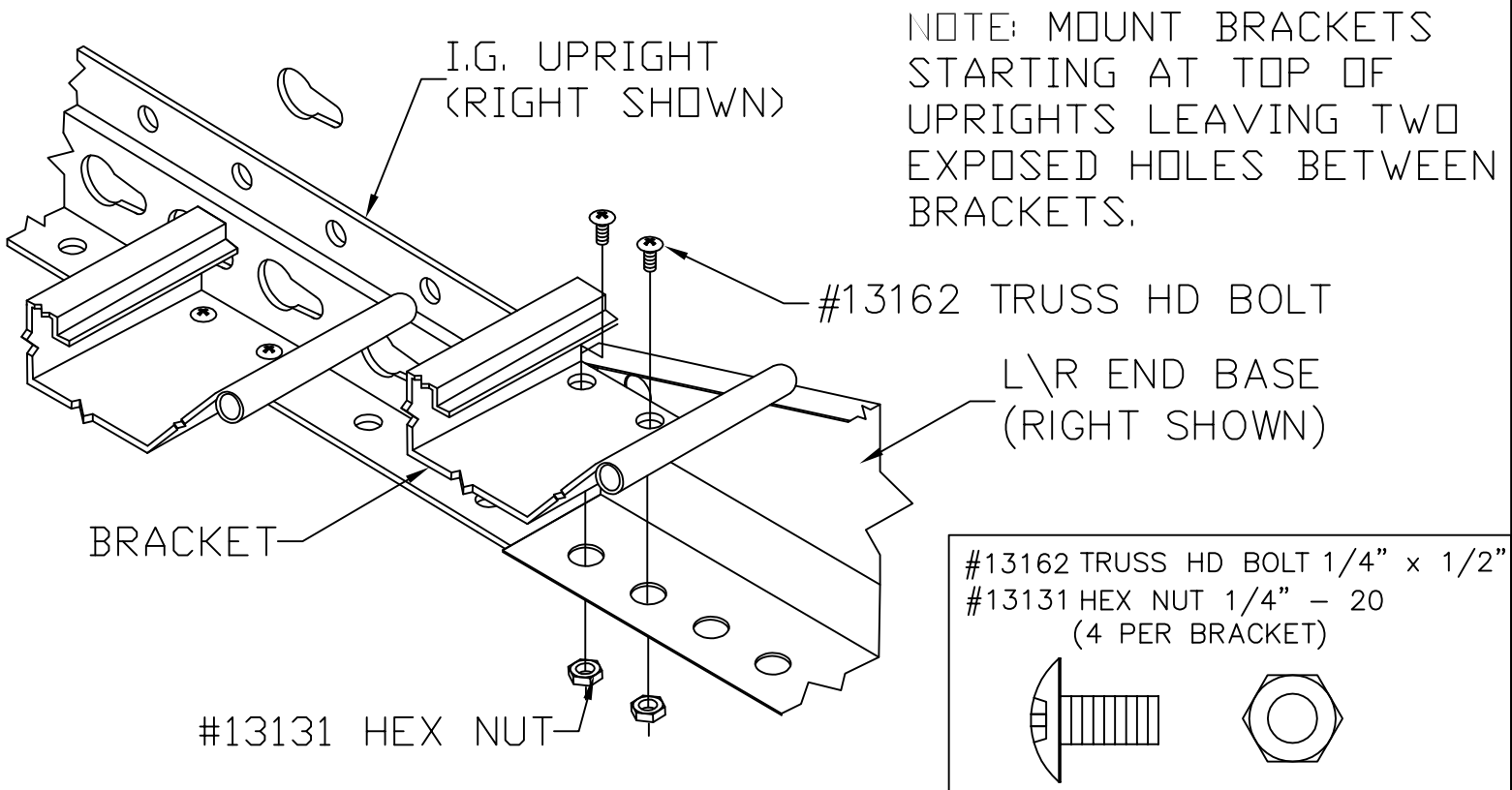


# ① UPRIGHT TO BRACKET ASSEMBLY



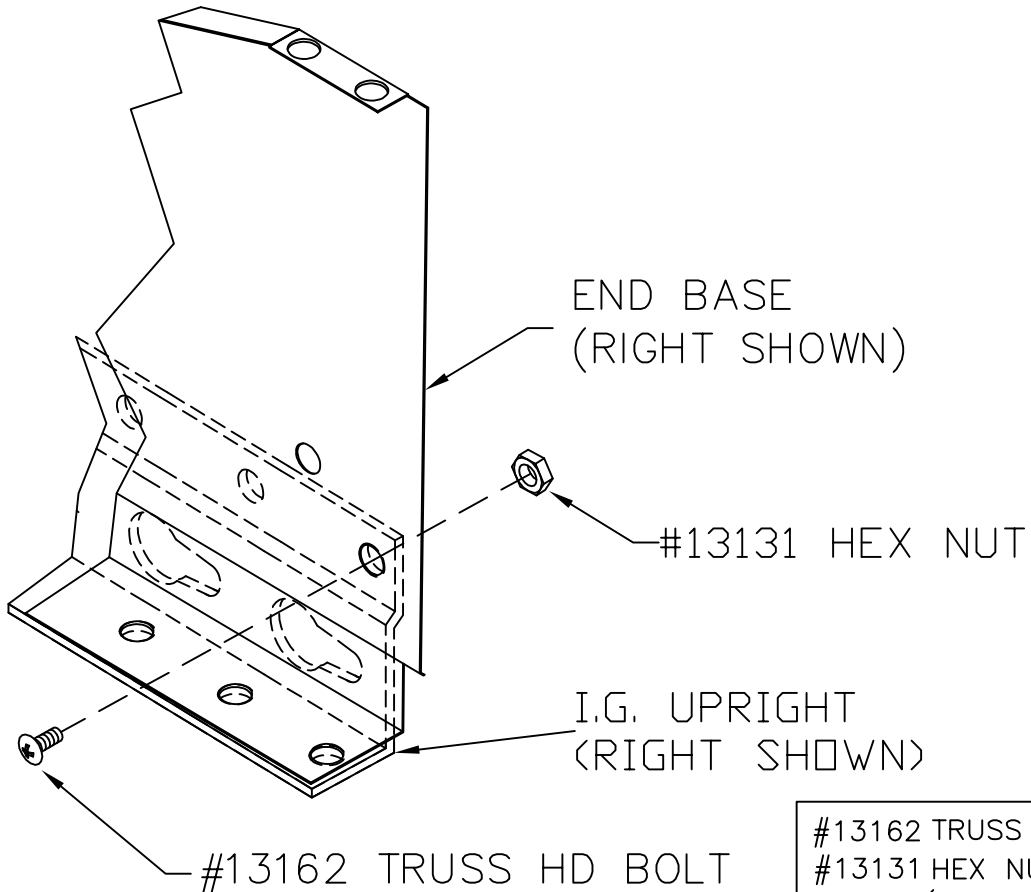
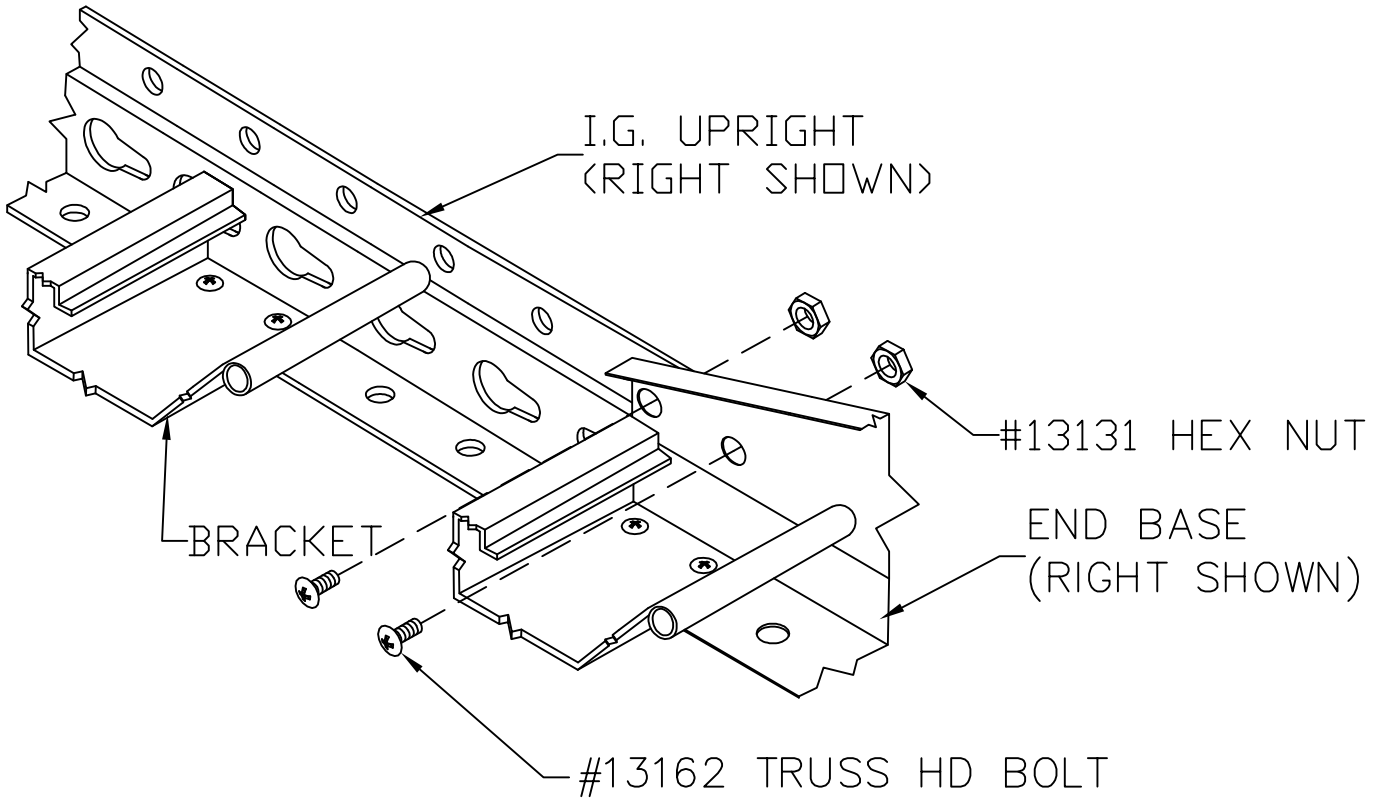
# ② END BASE ASSEMBLY

a. BRACKET TO END BASE TO UPRIGHT ASSEMBLY.



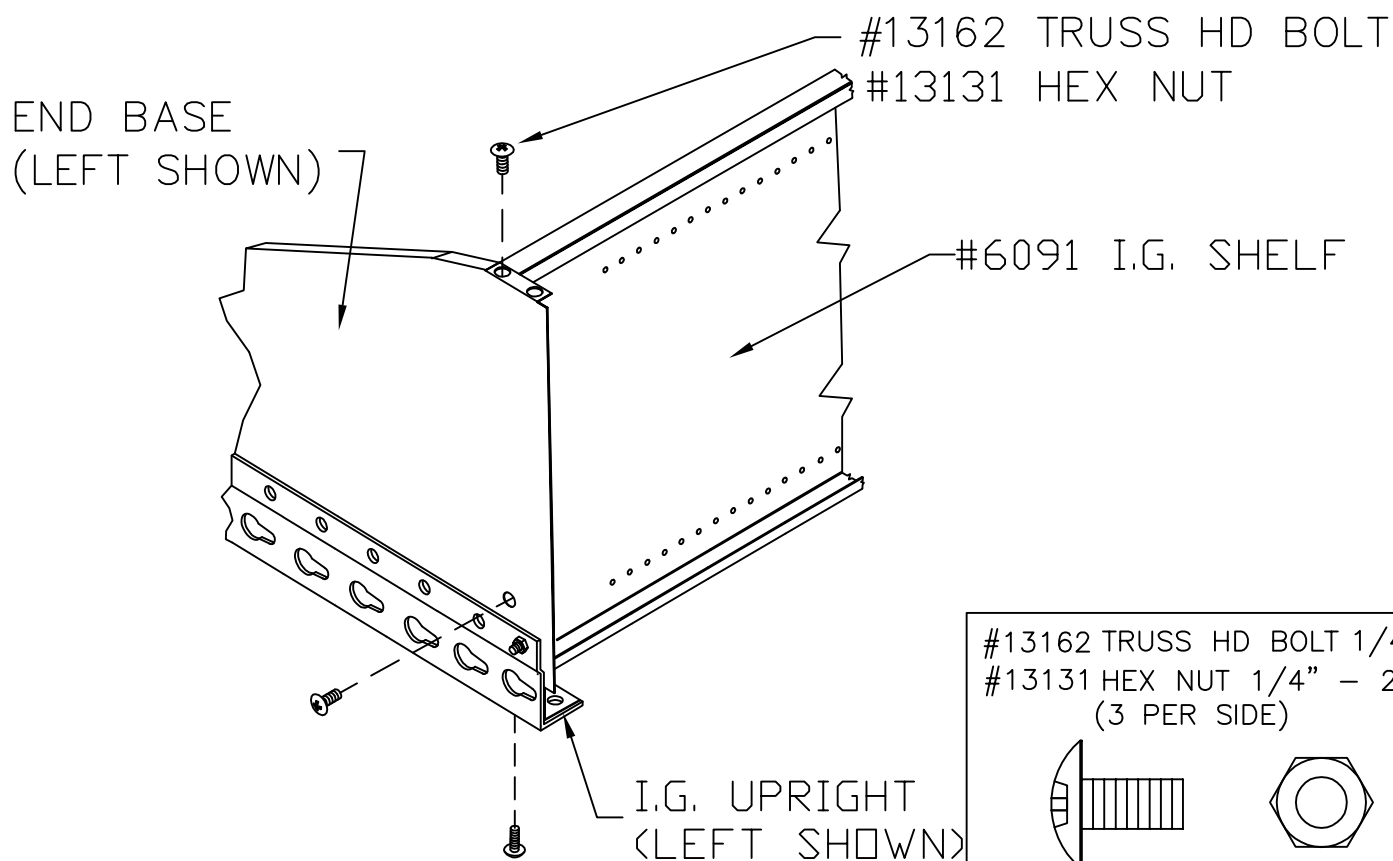
# ② END BASE ASSEMBLY

## b. BRACKET TO UPRIGHT ASSEMBLY.

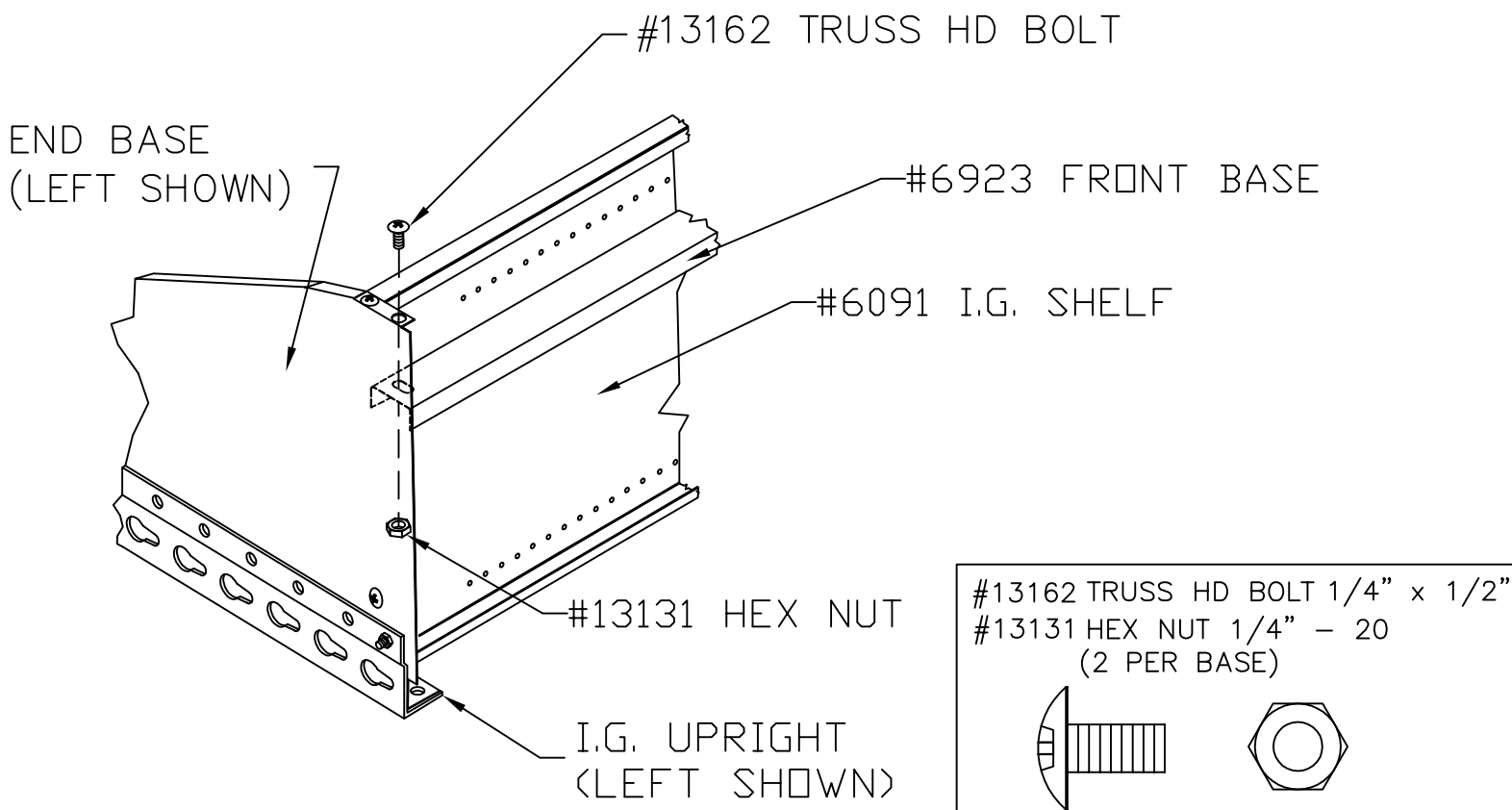


#13162 TRUSS HD BOLT 1/4" x 1/2"  
 #13131 HEX NUT 1/4" - 20  
 (3 PER END BACE)

### ③ I.G. SHELF ASSEMBLY



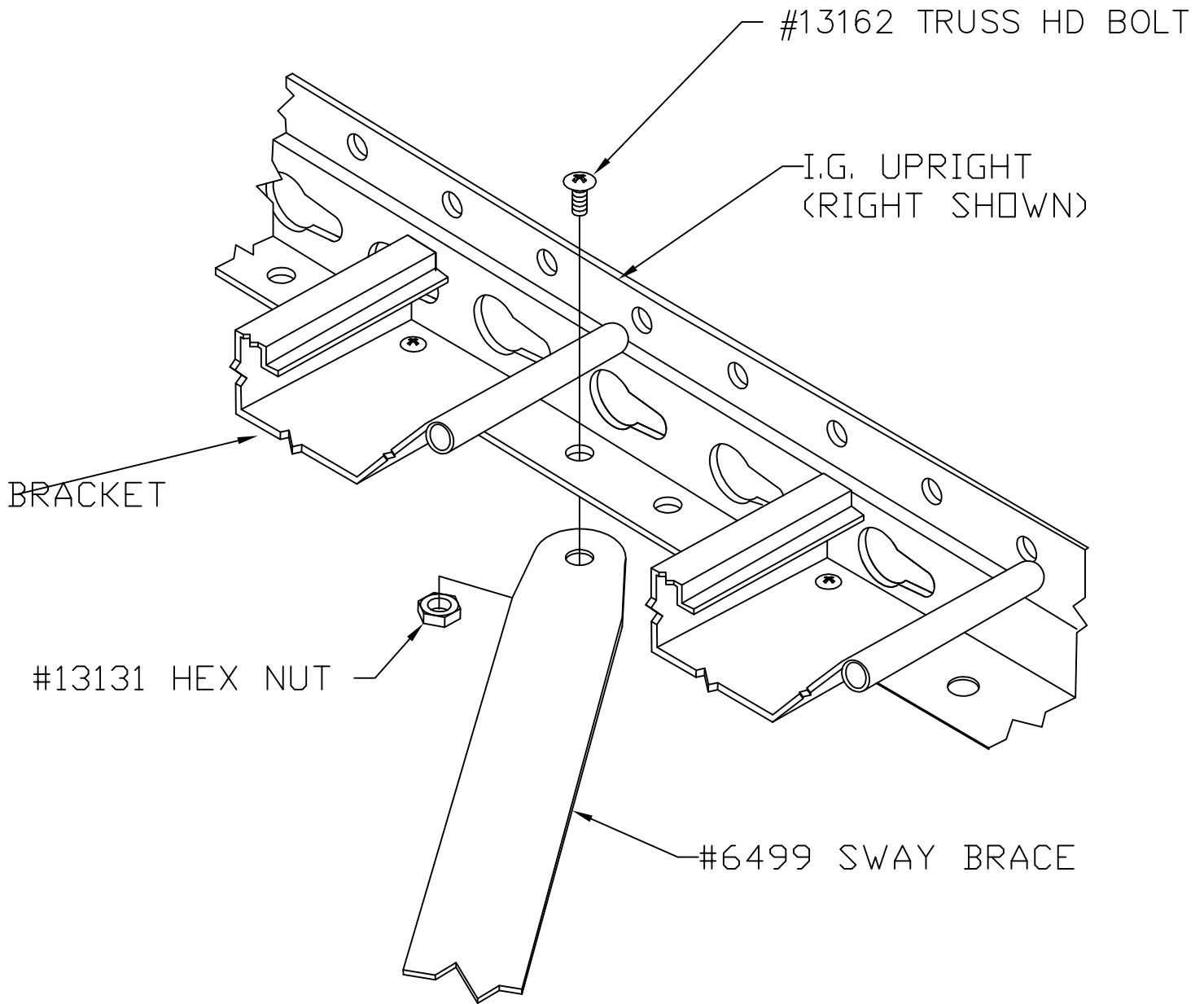
### ④ FRONT BASE ASSEMBLY



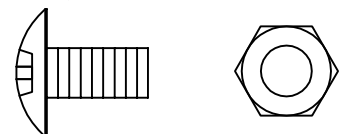
# ⑤ SWAY BRACE ASSEMBLY

NOTE: FOR PICK RACKS WITH 1 1/4H BRACKETS

NOTE: MOUNT SWAY BRACES ON CENTER OF UPRIGHTS.



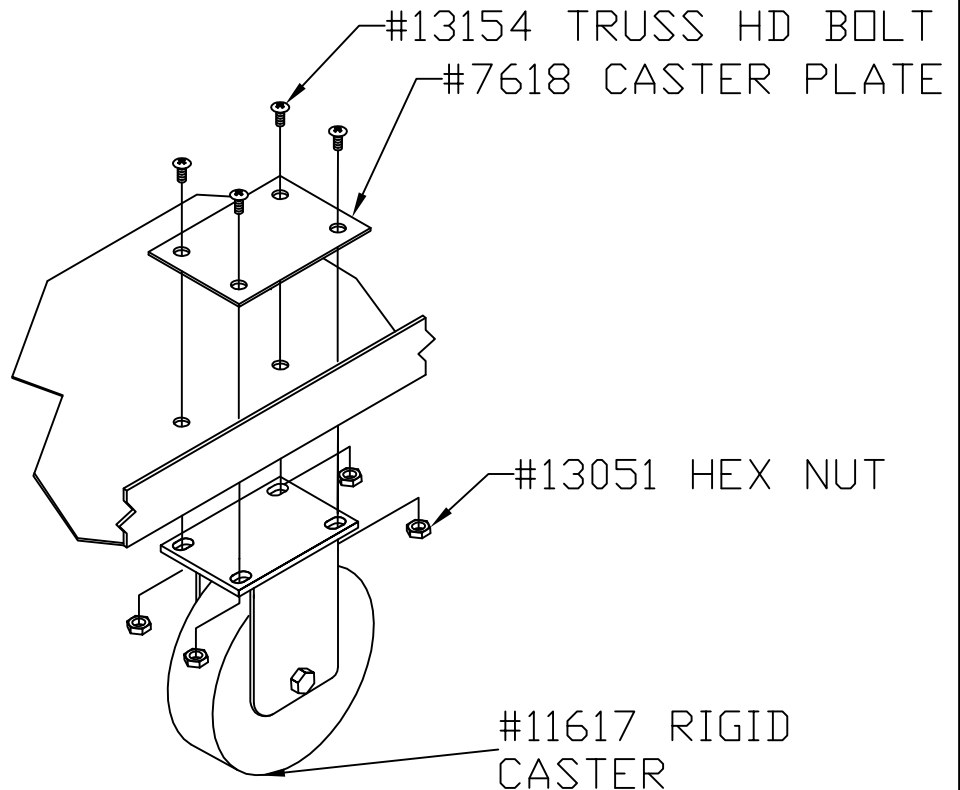
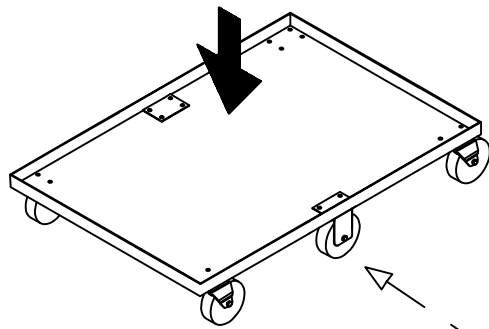
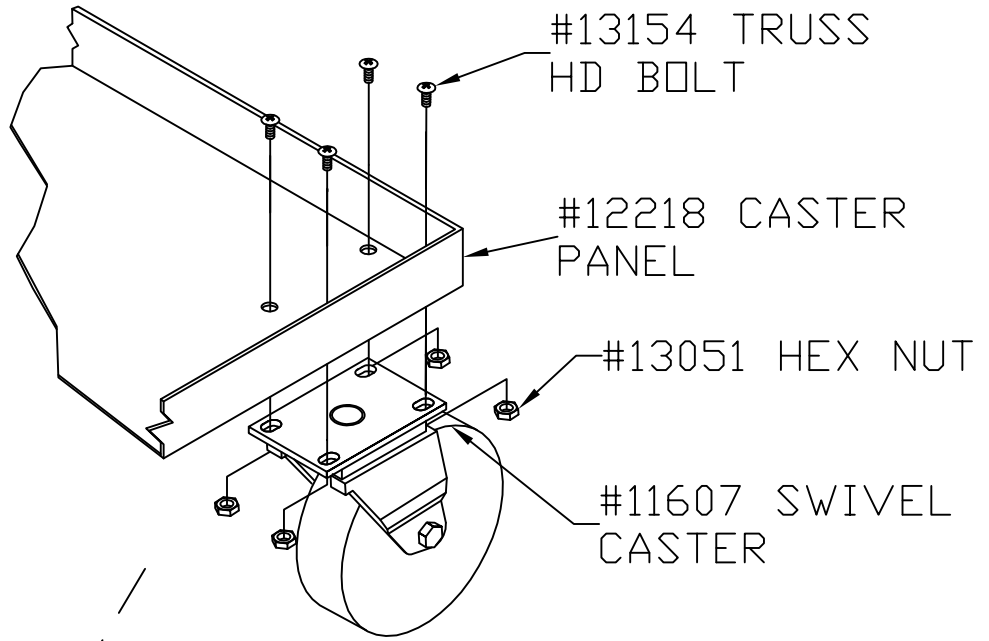
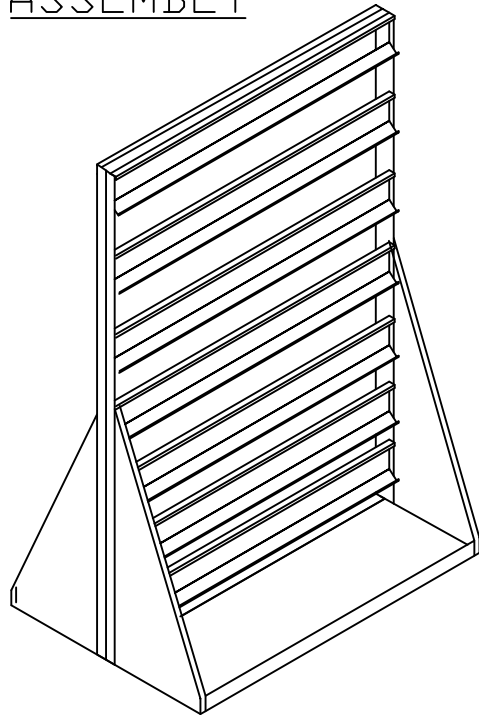
#13162 TRUSS HD BOLT 1/4" x 1/2"  
#13131 HEX NUT 1/4" - 20  
(3 PER SIDE)



# ⑥ CASTER BASE ASSEMBLY

OPTIONAL: #1186 CASTER KIT

## ASSEMBLY



#13154 TRUSS HD BOLT 5/16" x 3/4"  
#13051 HEX NUT 5/16"  
(4 PER CASTER)

