

42050B

EQUIPTO

HEAVY DUTY BAR RACK
AND REEL RACK ASSEMBLY
INSTRUCTIONS

READ INSTRUCTIONS BEFORE ASSEMBLING

HEAVY DUTY REEL RACK UNIT CONFIGURATIONS

TABLE OF CONTENTS

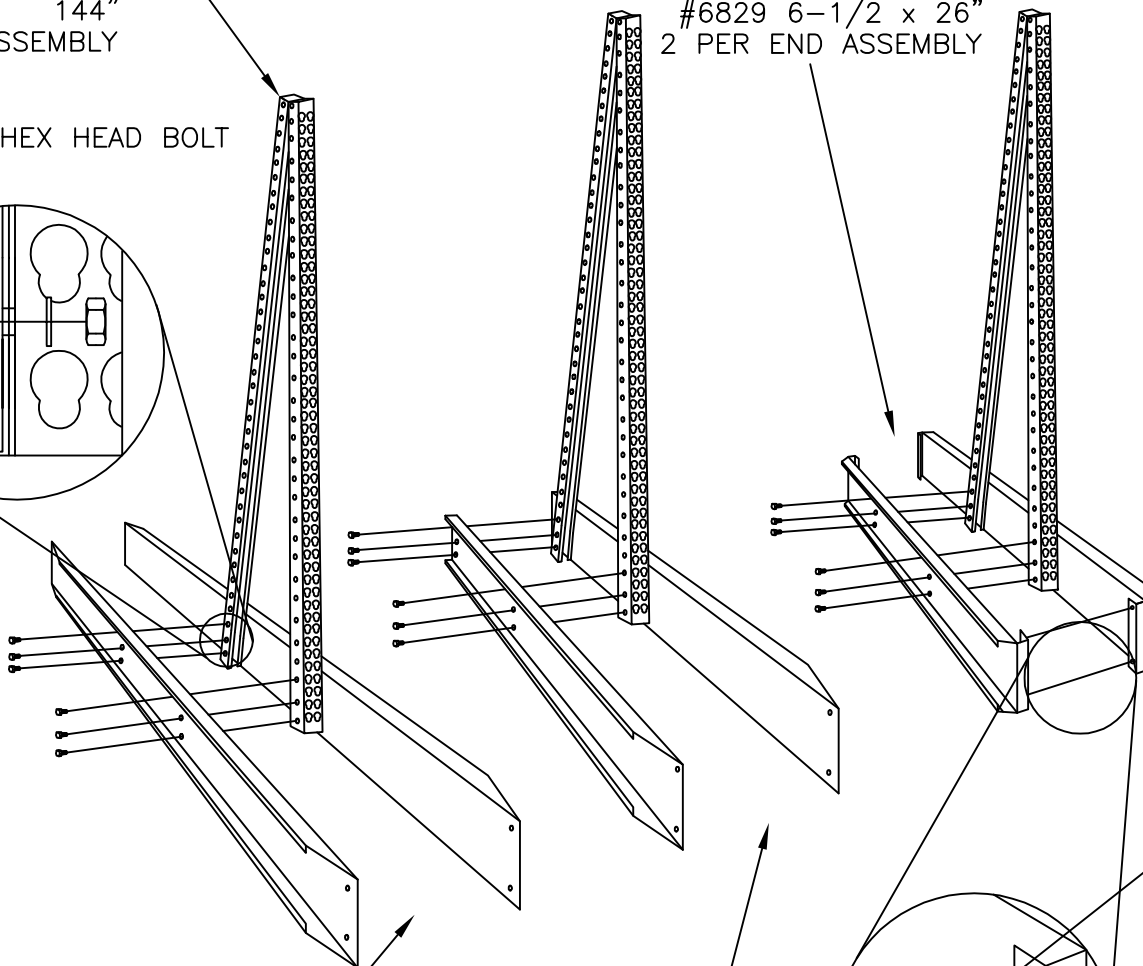
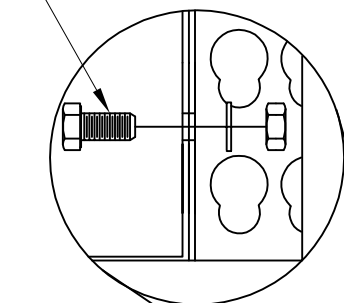
1. POST AND BASES ASSEMBLY	PAGE 2
2. TIE PLATE ASSEMBLY	PAGE 3
3. BASE STOP ASSEMBLY BAR RACK	PAGE 3
4. TIE BAR ASSEMBLY	PAGE 4
5. HORIZONTAL BEAMS	PAGE 5
6. ARMS FOR BAR RACK	PAGE 6
7. REEL HOLDER ASSEMBLY	PAGE 8

1. POST AND BASES ASSEMBLY

IRON GRIP POSTS
 #70096H 96"
 #70120H 120"
 #70144H 144"
 2 PER END ASSEMBLY

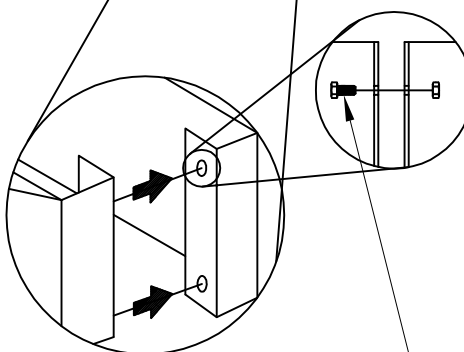
REEL RACK BASE
 #6829 6-1/2" x 26"
 2 PER END ASSEMBLY

#13197 HEX HEAD BOLT



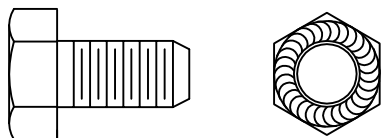
DOUBLE FACE BASES
 #6832 6-1/2" x 53-3/4"
 #6833 6-1/2" x 77-3/4"
 2 PER END ASSEMBLY

SINGLE FACE BASES
 #6830 6-1/2" x 34-7/8"
 #6833 6-1/2" x 47-7/8"
 2 PER END ASSEMBLY

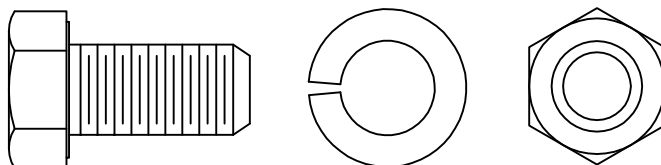


#13153 HEX HEAD BOLT

#13153 HEX HEAD CAP SCREW
 5/16" X 3/4"
 #13051 TWIN WHIZZ LOCKNUT
 5/16" - 18



#13197 HEX HEAD MACH SCREW 1/2" x 1"
 #13193 HEX NUT 1/2"-13
 #13198 SPRING LOCKWASHER 1/2"

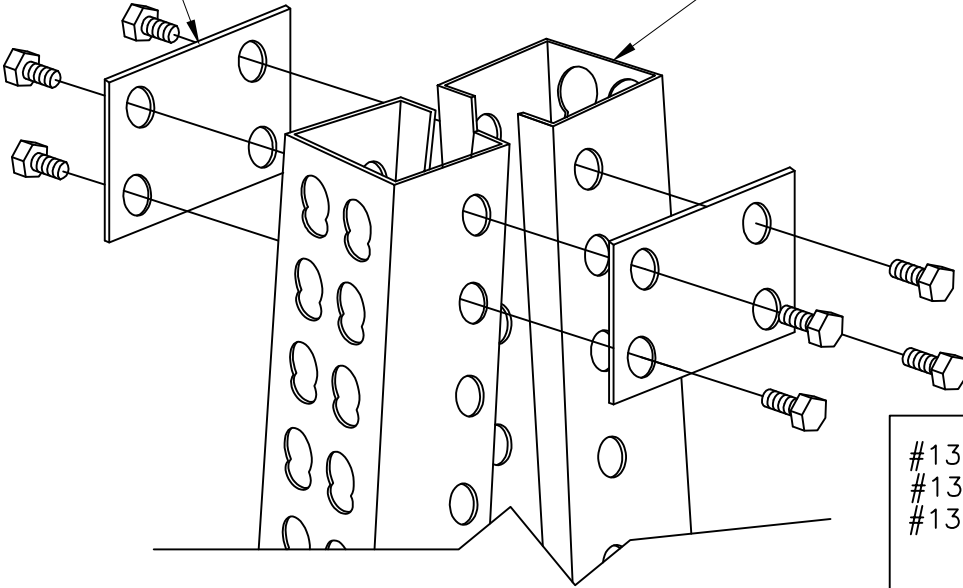


②. TIE PLATE ASSEMBLY

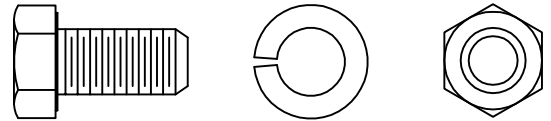
TIE PLATES

#9201 3-3/8" x 3-3/8"
2 PER END ASSEMBLY

#13197 HEX HEAD BOLT



#13197 HEX HEAD MACH SCREW 1/2" x 1"
 #13193 HEX NUT 1/2"-13
 #13198 SPRING LOCKWASHER 1/2"



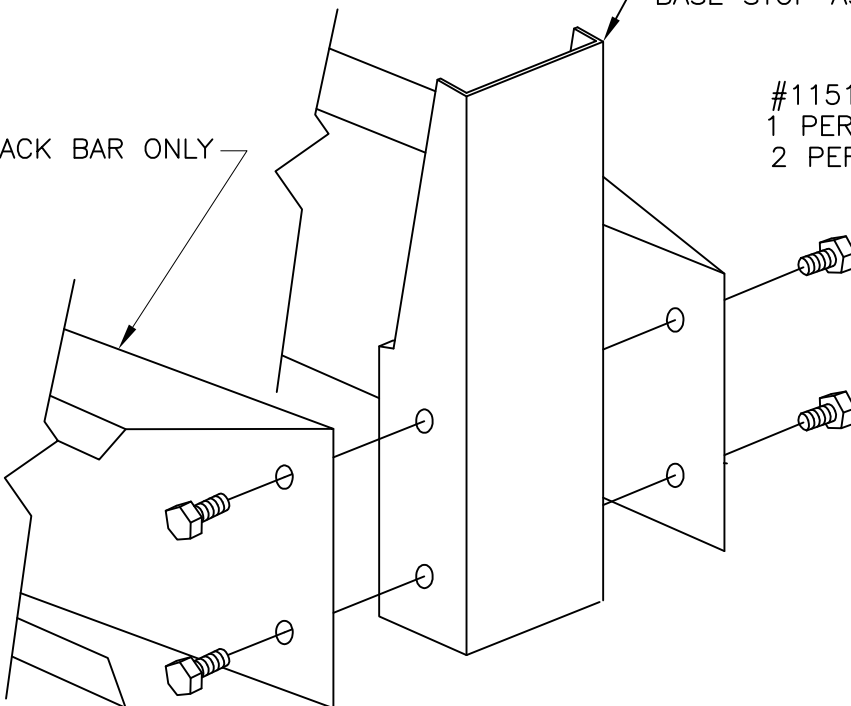
③. BASE STOP ASSEMBLY BAR RACK

BASE STOP ASSEMBLY

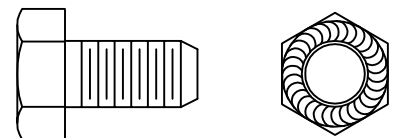
BASE STOP ASSEMBLY

#11517 1-1/2" x 3" x 12-7/16"
1 PER SINGLE FACE END ASSEMBLY
2 PER DOUBLE FACE END ASSEMBLY

BASE FOR RACK BAR ONLY



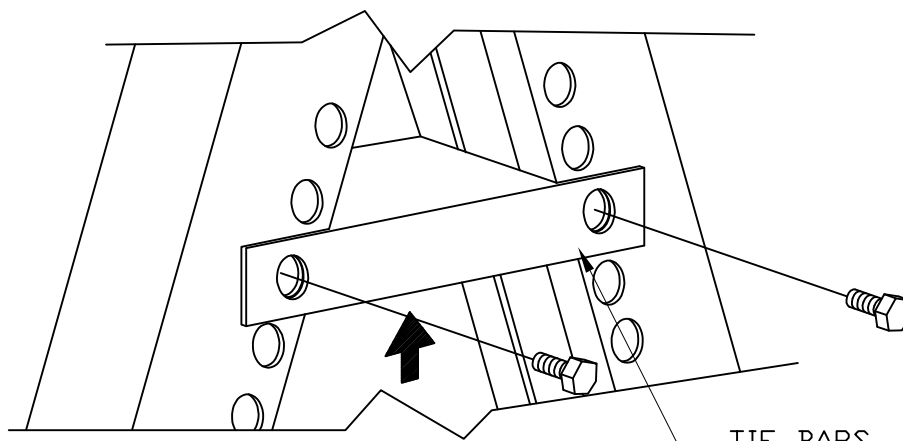
#13153 HEX HEAD CAP SCREW
5/16" X 3/4"
 #13051 TWIN WHIZZ LOCKNUT
5/16" - 18



4. TIE BAR ASSEMBLY

GENERAL NOTES

ALL RACK END ASSEMBLIES MUST BE ANCHORED TO THE FLOOR HARDWARE TO BE SUPPLIED BY OTHERS. FASTEN TO THE FLOOR AT LEAST TWICE PER BASE OR FOUR TIMES PER END.



TIE BARS

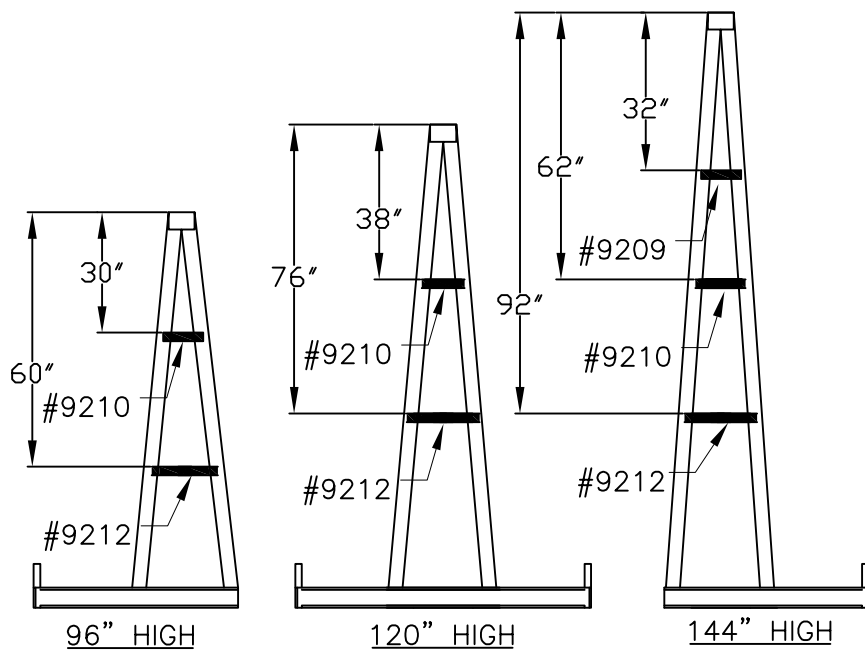
#9209 3-3/8" x 5-5/16"

#9210 3-3/8" x 6-9/32"

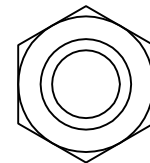
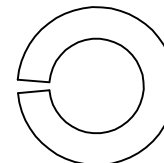
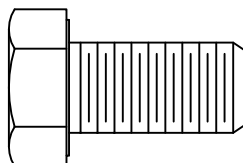
#9211 3-3/8" x 7-13/32"

#9212 3-3/8" x 9-1/2"

NOTE: SEE THE TIE BAR KEY LEFT FOR LOCATION AND NUMBER PER HEIGHT.

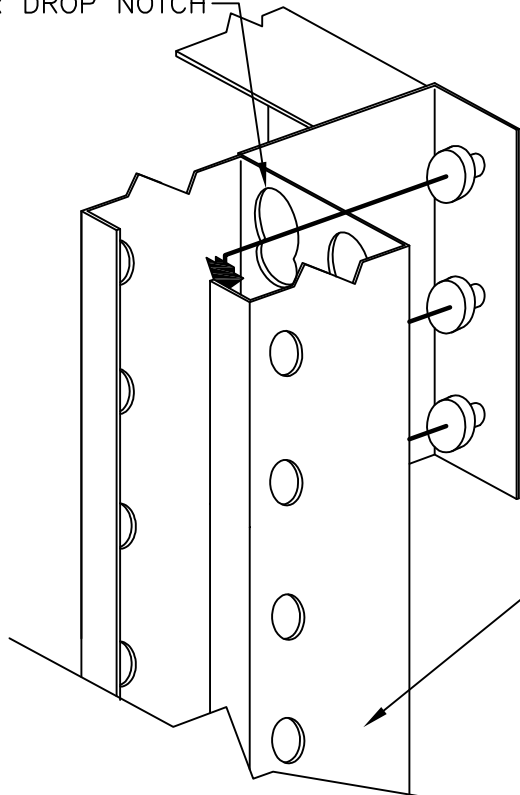


- #13197 HEX HEAD MACH SCREW 1/2" x 1"
- #13193 HEX NUT 1/2"-13
- #13198 SPRING LOCKWASHER 1/2"



5. HORIZONTAL ASSEMBLY END

TEAR DROP NOTCH



IRON GRIP POST

HORIZONTAL BEAMS

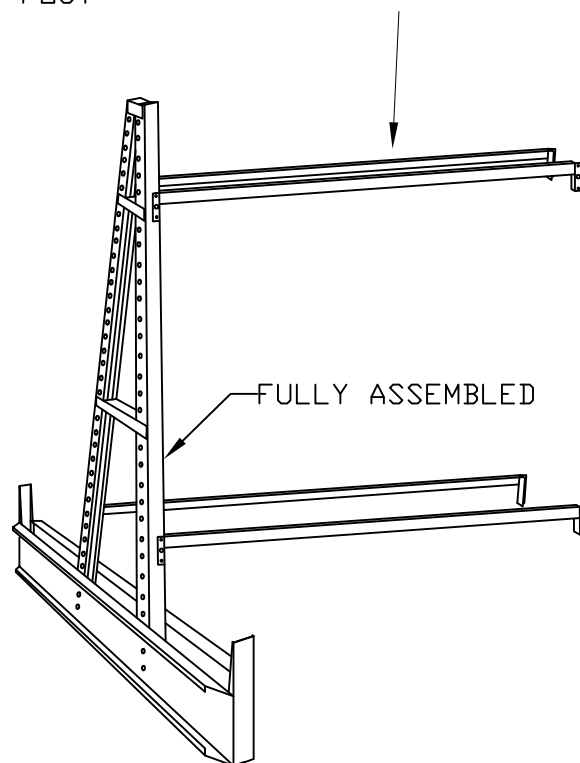
#10045 4-5/16" x 45"

#10063 4-5/16" x 69"

#73096L1 3" x 69"

(4 PER UNIT)

NO HARDWARE REQUIRED.



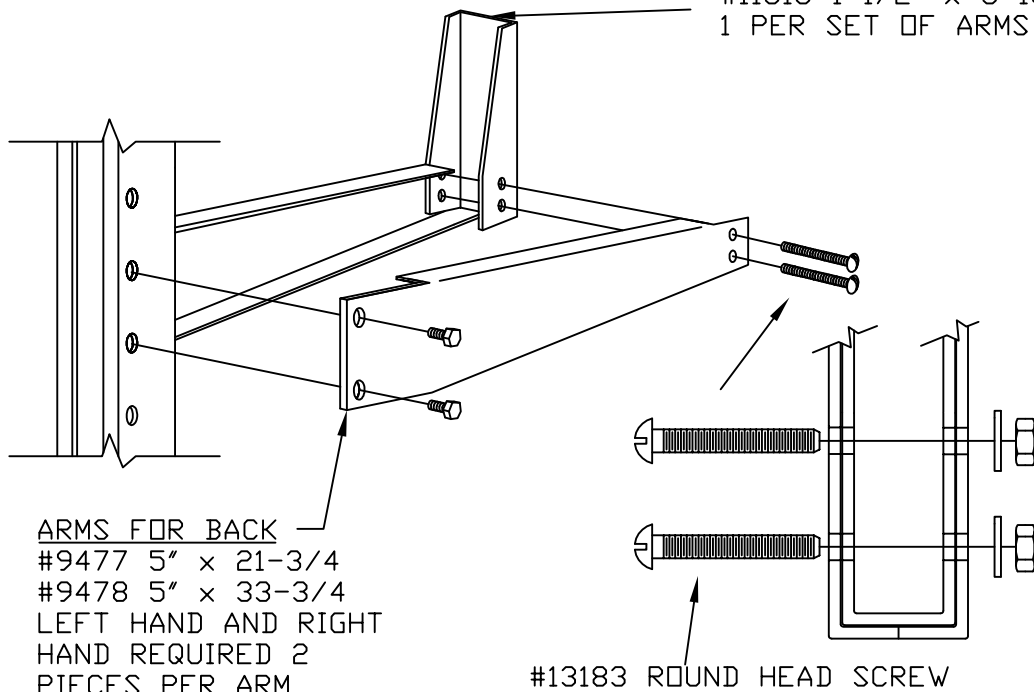
FULLY ASSEMBLED

NOTE: TEAR DROP NOTCHES REMOVED FOR CLARITY.

6.

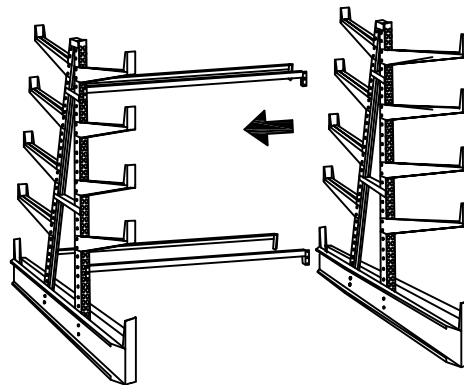
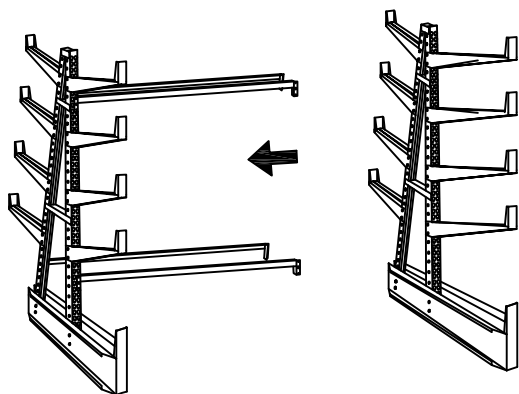
ARMS FOR BAR RACK

ARM STOP
 #11516 1-1/2" x 5-13/16"
 1 PER SET OF ARMS



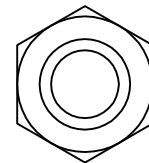
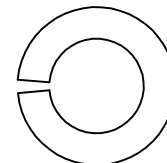
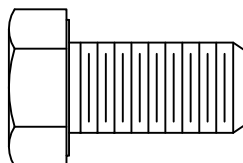
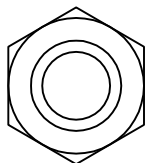
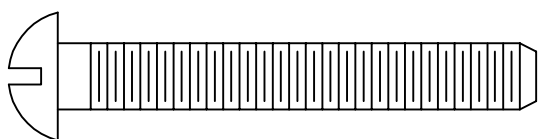
ARMS FOR BACK
 #9477 5" x 21-3/4"
 #9478 5" x 33-3/4"
 LEFT HAND AND RIGHT
 HAND REQUIRED 2
 PIECES PER ARM

#13183 ROUND HEAD SCREW



#13183 ROUND HEAD BOLT 5/16" x 2-1/4"
 #13051 HEX NUT 5/16"

#13197 HEX HEAD MACH SCREW 1/2" x 1"
 #13193 HEX NUT 1/2"-13
 #13198 SPRING LOCKWASHER 1/2"



SINGLE FACED UNITS NUMBER OF ARMS LENGTH OF ARMS

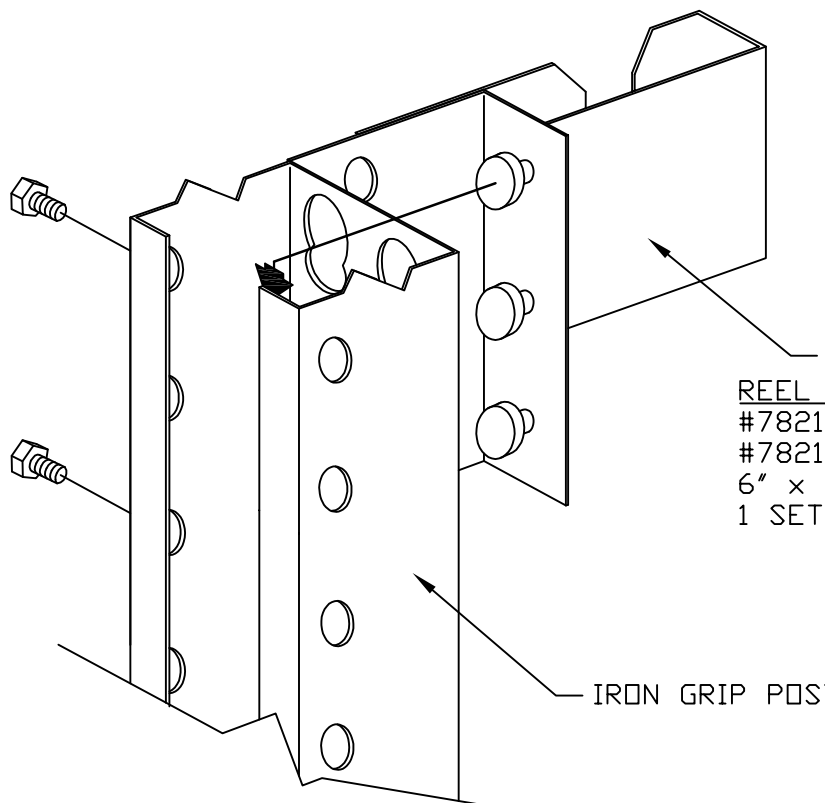
#1043-48	36" x 48" x 96"	4	18	}	#1043 END 36" x 96"
#1043-72	36" x 72" x 96"	4	18		
#1043-99	36" x 99" x 96"	4	18		
#1044-48	36" x 48" x 120"	5	18	}	#1044 END 36" x 120"
#1044-72	36" x 72" x 120"	5	18		
#1044-99	36" x 99" x 120"	5	18		
#1045-48	36" x 48" x 144"	6	18	}	#1045 END 36" x 144"
#1045-72	36" x 72" x 144"	6	18		
#1045-99	36" x 99" x 144"	6	18		
#1053-48	48" x 48" x 96"	4	30	}	#1053 END 48" x 96"
#1053-72	48" x 72" x 96"	4	30		
#1053-99	48" x 99" x 96"	4	30		
#1054-48	48" x 48" x 120"	5	30	}	#1054 END 48" x 120"
#1054-72	48" x 72" x 120"	5	30		
#1054-99	48" x 99" x 120"	5	30		
#1055-48	48" x 48" x 144"	6	30	}	#1055 END 48" x 144"
#1055-72	48" x 72" x 144"	6	30		
#1055-99	48" x 99" x 144"	6	30		

DOUBLE FACED UNITS NUMBER OF ARMS LENGTH OF ARMS

#1040-48	54" x 48" x 96"	8	18	}	#1040 END 54" x 96"
#1040-72	54" x 72" x 96"	8	18		
#1040-99	54" x 99" x 96"	8	18		
#1041-48	54" x 48" x 120"	10	18	}	#1041 END 54" x 120"
#1041-72	54" x 72" x 120"	10	18		
#1041-99	54" x 99" x 120"	10	18		
#1042-48	54" x 48" x 144"	12	18	}	#1042 END 54" x 144"
#1042-72	54" x 72" x 144"	12	18		
#1042-99	54" x 99" x 144"	12	18		
#1050-48	78" x 48" x 96"	8	30	}	#1050 END 78" x 96"
#1050-72	78" x 72" x 96"	8	30		
#1050-99	78" x 99" x 96"	8	30		
#1051-48	78" x 48" x 120"	10	30	}	#1051 END 78" x 120"
#1051-72	78" x 72" x 120"	10	30		
#1051-99	78" x 99" x 120"	10	30		
#1052-48	78" x 48" x 144"	12	30	}	#1052 END 78" x 144"
#1052-72	78" x 72" x 144"	12	30		
#1052-99	78" x 99" x 144"	12	30		

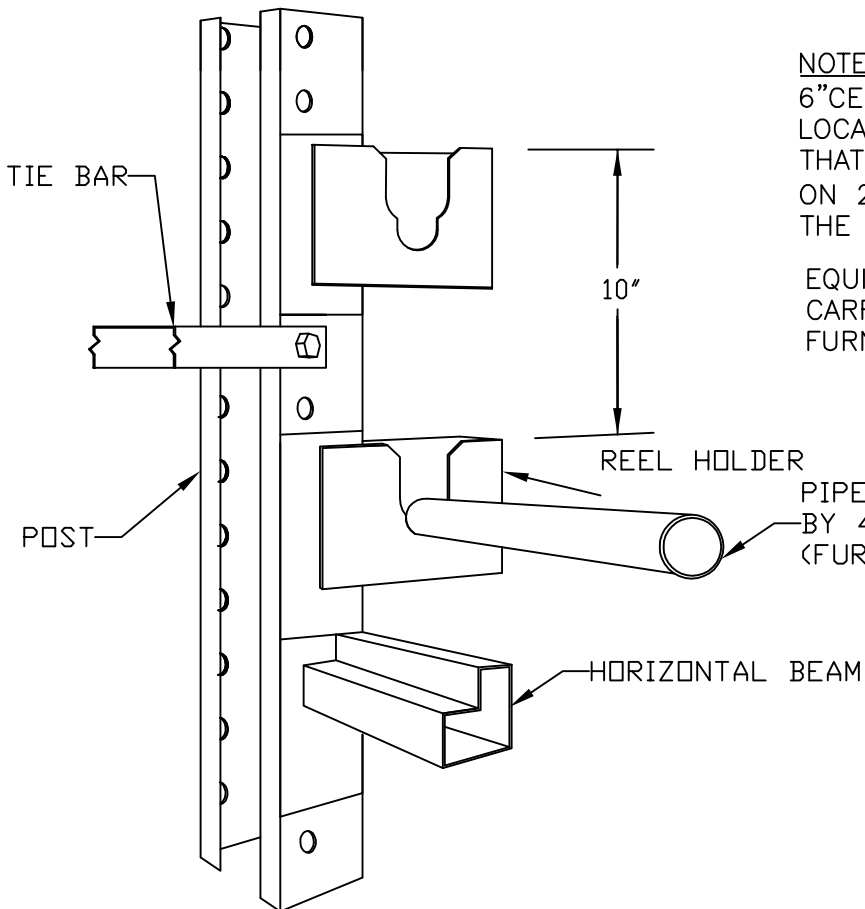
7.

REEL HOLDER ASSEMBLY



REEL HOLDER
 #78218RHL LEFT HAND
 #78218RHR RIGHT HAND
 6" x 7-3/16"
 1 SET PER LEVEL

IRON GRIP POST

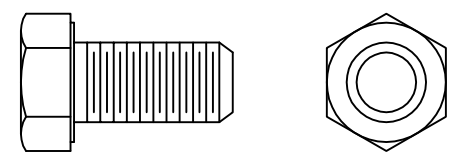


NOTE- REEL HOLDERS CAN BE PLACED ON 6"CENTERS EXCEPT AT THE TIE BAR LOCATION AS SHOWN ABOVE. ALSO NOTE THAT HORIZONTAL BEAMS CAN BE ADJUSTED ON 2" CENTERS UP OR DOWN BUT THAT THE TIE BAR LOCATIONS ARE FIXED.

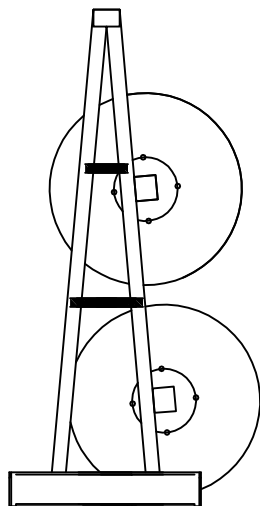
EQUIPTO IS NOT RESPONSIBLE FOR CARRYING CAPACITY OF MATERIALS FURNISHED BY OTHERS.

PIPE 1-5/8" TO 2-3/8" OUTSIDE DIAMETER. BY 47", 71" AND 98" LONG. (FURNISHED BY OTHERS)

#13188 HEX HD MACH SCREW 3/8" x 3/4"
 #13191 HEX NUT 3/8"-13

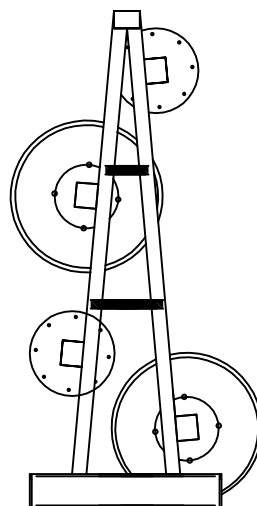


HEAVY DUTY REEL RACK UNIT CONFIGURATIONS



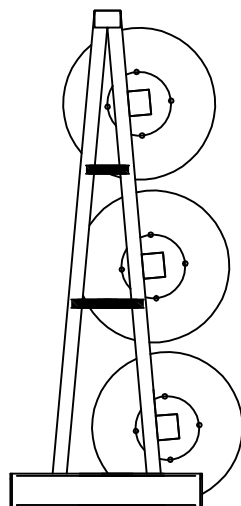
2 PAIRS OF REEL HOLDERS

- #1072R04 48" x 96"
- #1072R14 48" x 120"
- #1072R24 48" x 144"
- #1072R06 72" x 96"
- #1072R16 72" x 120"
- #1072R26 72" x 144"



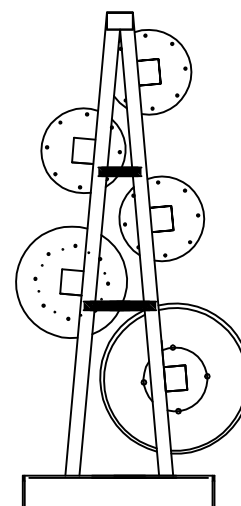
4 PAIRS OF REEL HOLDERS

- #1074R04 48" x 96"
- #1074R14 48" x 120"
- #1074R24 48" x 144"
- #1074R06 72" x 96"
- #1074R16 72" x 120"
- #1074R26 72" x 144"



3 PAIRS OF REEL HOLDERS

- #1073R04 48" x 96"
- #1073R14 48" x 120"
- #1073R24 48" x 144"
- #1073R06 72" x 96"
- #1073R16 72" x 120"
- #1073R26 72" x 144"



5 PAIRS OF REEL HOLDERS

- #1075R04 48" x 96"
- #1075R14 48" x 120"
- #1075R24 48" x 144"
- #1075R06 72" x 96"
- #1075R16 72" x 120"
- #1075R26 72" x 144"