

OPEN SHELVING

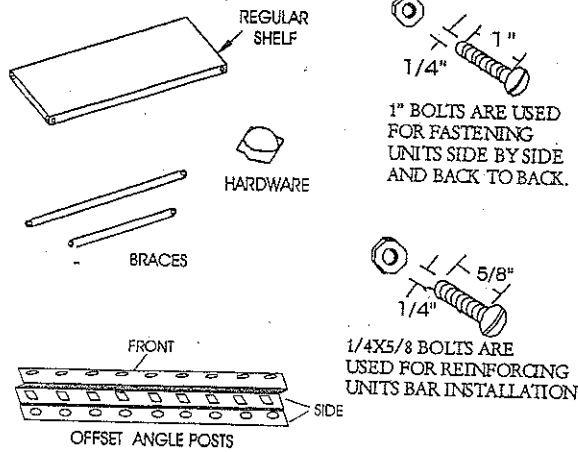
INDUSTRIAL AND UTILITY

WITH OFFSET POST

ASSEMBLY INSTRUCTIONS

NOTE:
ONLY FOUR
BOLTS AND NUTS
FOR EACH SHELF.

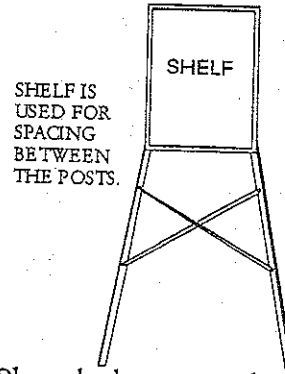
1. PARTS



1" BOLTS ARE USED FOR FASTENING UNITS SIDE BY SIDE AND BACK TO BACK.

1/4x5/8 BOLTS ARE USED FOR REINFORCING UNITS BAR INSTALLATION

2. INSTALL SIDE BRACES



SHELF IS USED FOR SPACING BETWEEN THE POSTS.

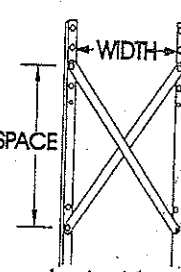
Place the braces on the inside of the post. Insert 1/4 x 1/2 long bolts from the outside of the posts. Attach nuts and tighten.

NOTE:

Layout posts with angles facing each other. Use a shelf for spacing posts and install braces according to the dimension below.

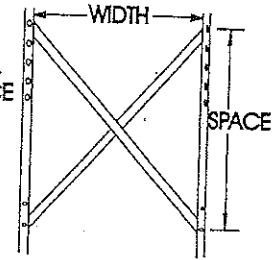
SIDE BRACES HOLE SPACING TOP TO BOTTOM.

WIDTH	SPACE
12"	13"
15"	13"
18"	13"
24"	14"
30"	17"
36"	20"



BACK BRACE HOLE SPACING TOP TO BOTTOM

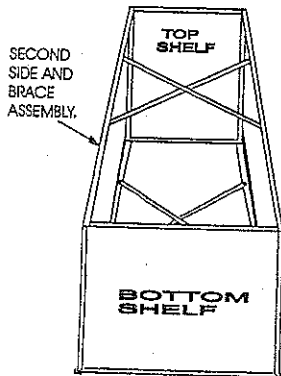
WIDTH	SPACE
24"	12"
30"	14"
36"	17"
42"	17"
48"	17"



Braces attach to the inside of the unit.

NOTE: It may be necessary to install braces a hole or two higher if a shelf in the way of the brace.

3. INSTALL TOP & BOTTOM

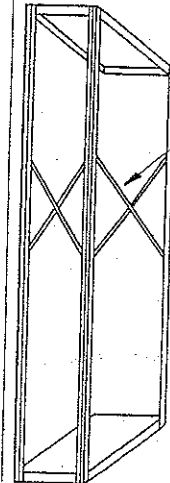


Install the top shelf with one 1/4 - 20 x 1/2 bolt and nut in each corner.

Bolt through the post then through the shelf

Install the bottom shelf with one 1/4 - 20 x 1/2 bolt and nut in each corner.

4. INSTALL BACK BRACE



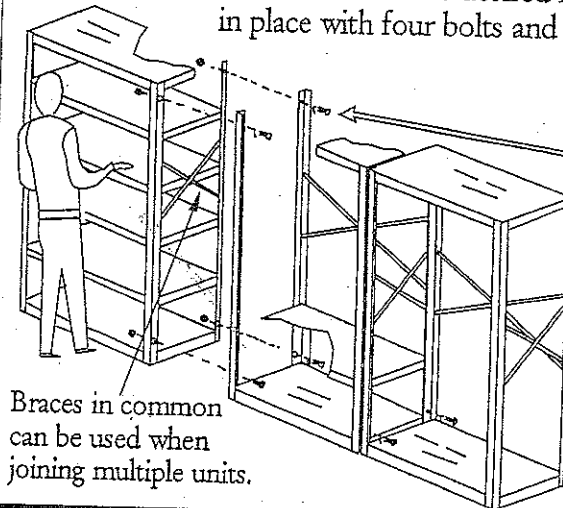
STAND THE UNIT UPRIGHT

Install back braces at the desired height. All bolts and nuts must be tight at this.

Use large handle to tighten all screws for maximum tightness and least wrist fatigue.



5. INSTALL SHELVES



Place a shelf at the desired height and fasten in place with four bolts and nuts.

For fastening units together, use 1" bolts and nuts.

Place a bolt in the first hole below the top shelf and the first hole above the bottom shelf. Add nuts and tighten securely.

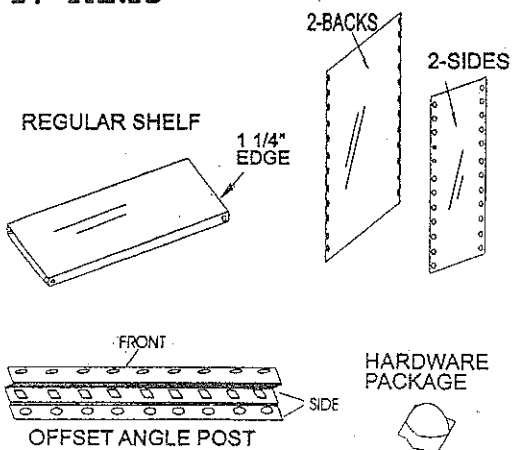
CLOSED SHELVING

INDUSTRIAL AND UTILITY

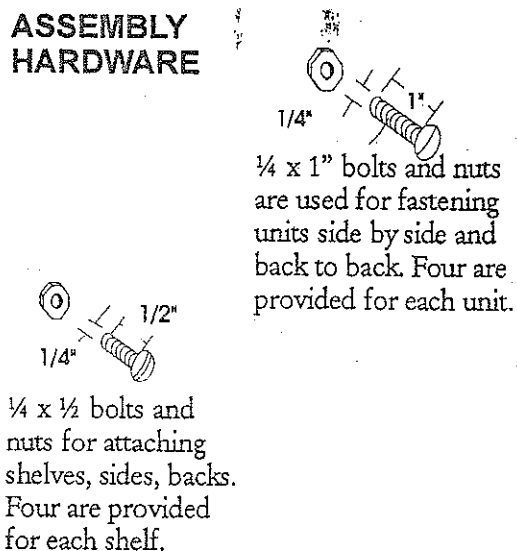
ASSEMBLY INSTRUCTIONS

625 E 10TH AVE.
 HIALEAH FL 33010-4641
 PHONE (305)4994800

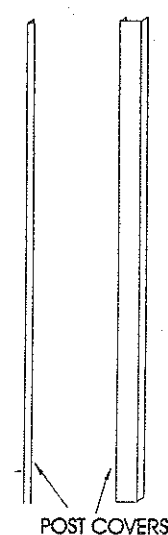
1. PARTS



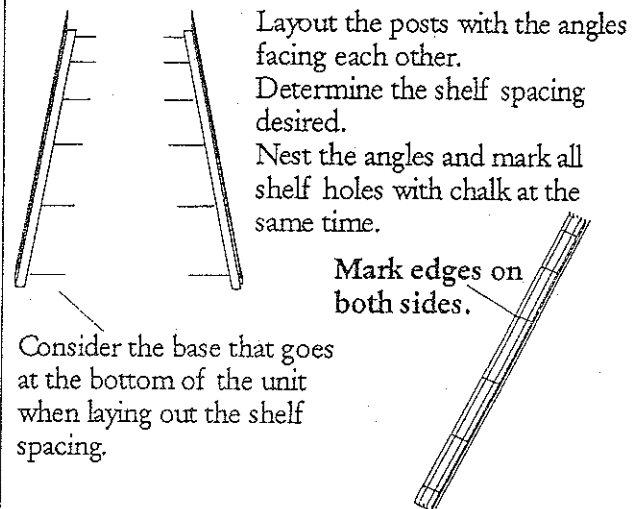
ASSEMBLY HARDWARE



OPTIONAL PARTS

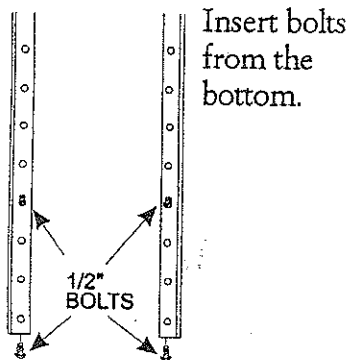


2. MARK OFFSET POSTS



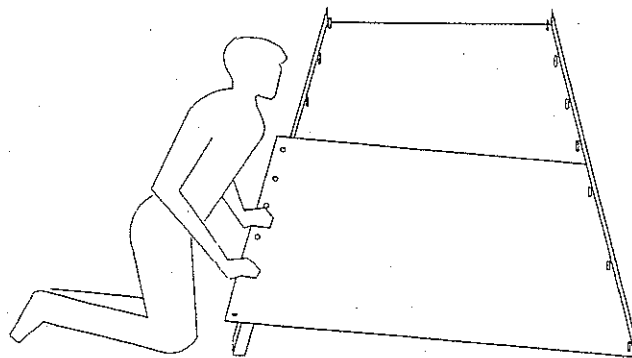
3. INSERT BOLTS

Insert bolts on marked centers.
 Insert only two bolts per shelf at this.

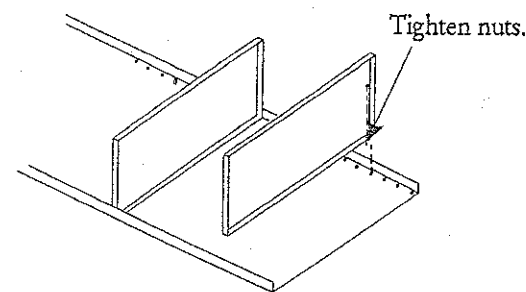


4. INSTALL BACKS

Place the backs between the angles with the bolts through the holes in the back.
 Overlap 3 inches in the center and be flush with the post ends at top and tighten nuts finger.



5. INSTALL SHELVING



Shelf bolts are installed from the back and through the post and back and tighten nuts finger tight.

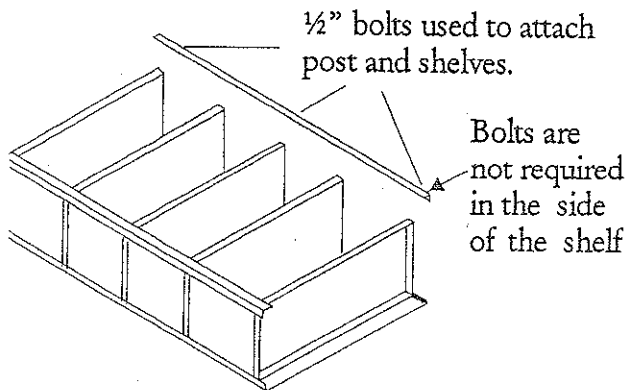
CLOSED SHELVING

INDUSTRIAL AND UTILITY

ASSEMBLY INSTRUCTIONS

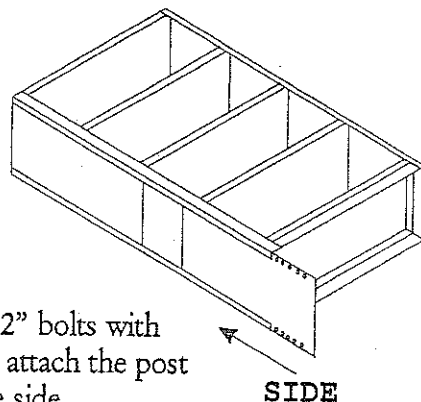
625 E 10TH AVE.
HIALEAH FL 33010-4641
PHONE (305)4994800

6. INSTALL FRONT OFFSET POST.



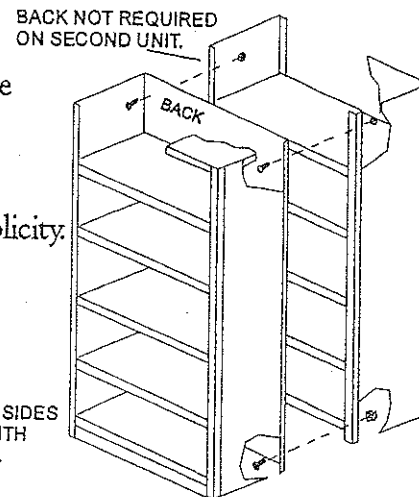
7. INSTALL SIDES

Attach side panel to posts using inner most hole pattern (hole pattern not being used by shelves). The top half of the side will overlap the bottom half of the side 3 inches.



8. JOIN MULTIPLE UNITS BACK TO BACK

Units are shown without dividers for simplicity.

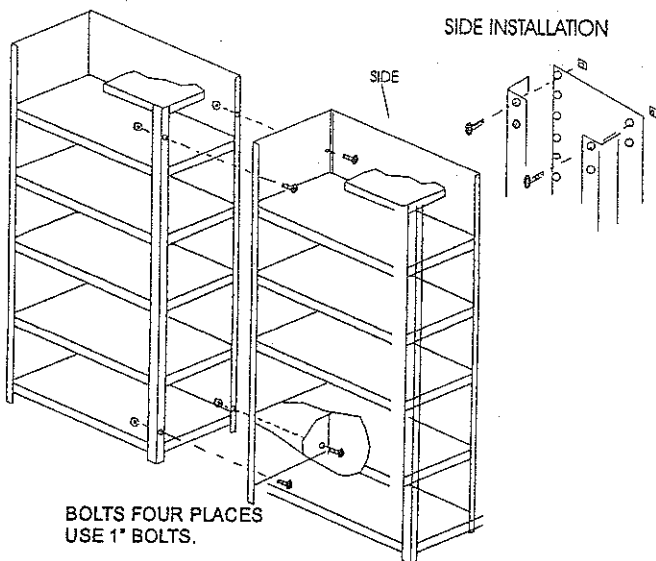


9. JOIN MULTIPLE UNITS SIDE TO SIDE.

Tie in top and bottom of all post with 1" bolts with nuts.

On units above 87" high, tie in the top, bottom and middle in the same way.

NOTE: COMMON SIDES CAN BE USED WITH MULTIPLE UNITS.



10. ACCESSORIES

