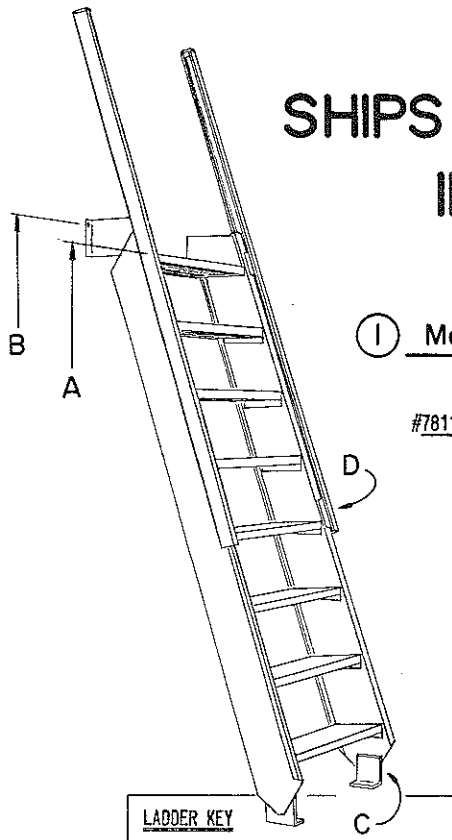
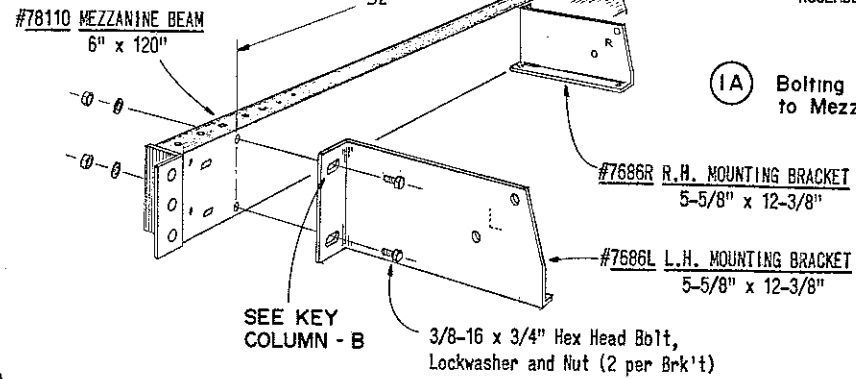


EQUIPTO SHIPS LADDER ASSEMBLY INSTRUCTIONS

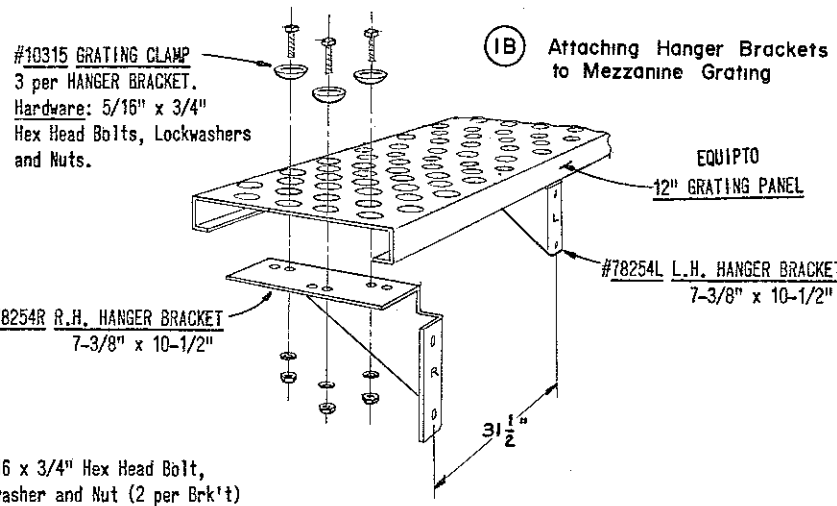


LADDER KEY
 A = TOP TREAD HEIGHT
 B = TOP MOUNTING HOLE HEIGHT
 C = BASE ANGLE NUMBERS
 D = BOLTING LOWER HANDRAIL BRACKET AND TREAD ASSEMBLY TOGETHER.

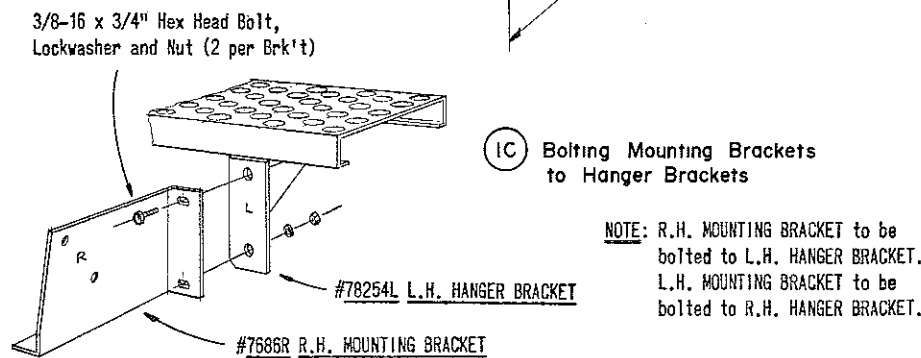
I Mounting Bracket Assembly



IA Bolting Mounting Brackets to Mezzanine Beam



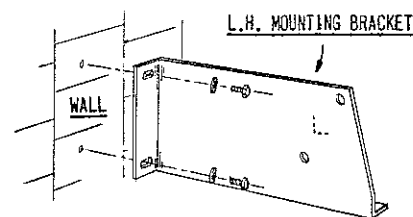
IB Attaching Hanger Brackets to Mezzanine Grating



IC Bolting Mounting Brackets to Hanger Brackets

ID Anchoring Mounting Brackets to Existing Walls

NOTE: ALL HARDWARE FOR ANCHORING MOUNTING BRACKETS TO WALL TO BE FURNISHED BY OTHERS.

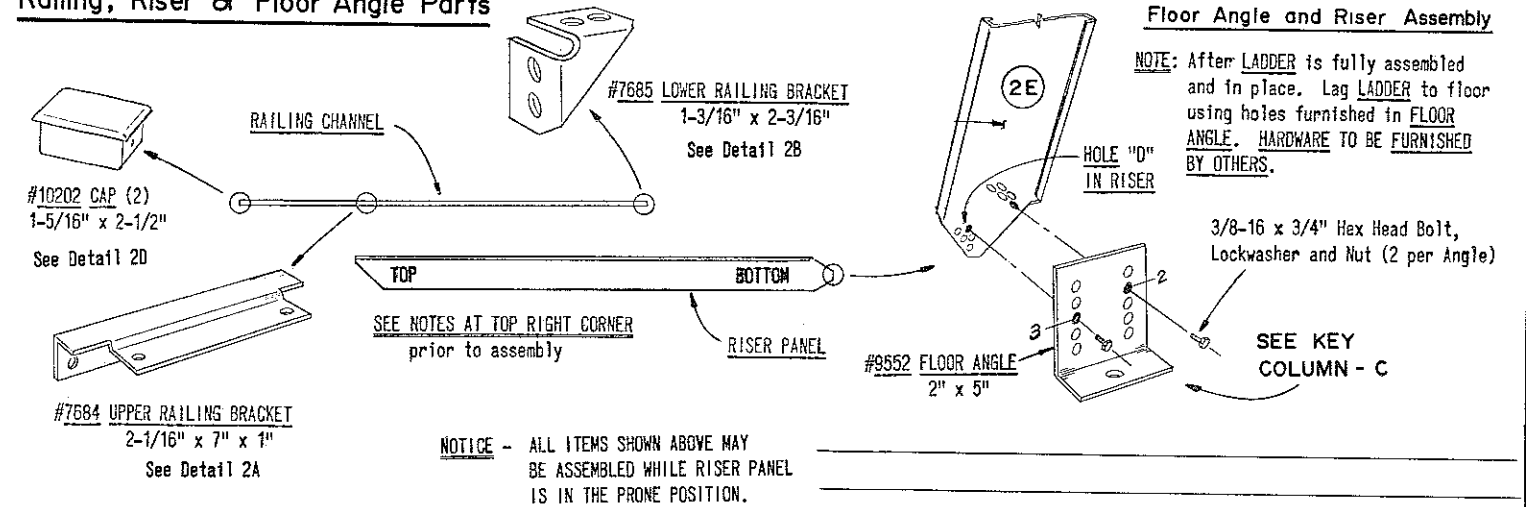


Ladder Assembly Procedure

- STEP 1. ANCHORING MOUNTING BRACKETS.
- STEP 2. RISER AND RAILING ASSEMBLY.
- STEP 3. TOP TREAD AND MOUNTING BRACKET ASSEMBLY.
- STEP 4. RISER TO MOUNTING BRACKET ASSEMBLY.
- STEP 5. LADDER TREAD ASSEMBLY.
- STEP 6. ASSEMBLING TREAD TO RISER PANEL.

NOTE: CLEAR AREA OF OBSTRUCTIONS BEFORE STARTING LADDER ASSEMBLY.

Railing, Riser & Floor Angle Parts



NOTICE - ALL ITEMS SHOWN ABOVE MAY BE ASSEMBLED WHILE RISER PANEL IS IN THE PRONE POSITION.

Floor Angle and Riser Assembly

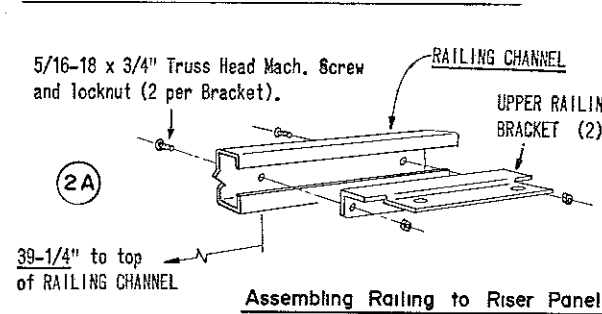
NOTE: After LADDER is fully assembled and in place. Lag LADDER to floor using holes furnished in FLOOR ANGLE. HARDWARE TO BE FURNISHED BY OTHERS.

3/8-16 x 3/4" Hex Head Bolt, Lockwasher and Nut (2 per Angle)

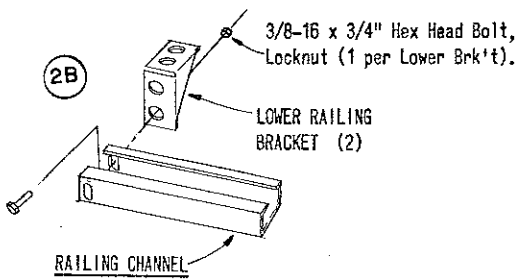
SEE KEY COLUMN - C

Railing Assembly Procedure

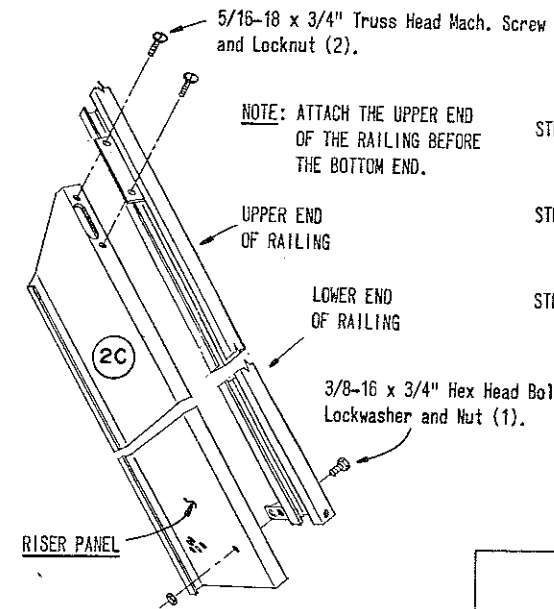
- STEP 1. FASTEN UPPER RAILING BRACKETS TO RAILING CHANNELS AS SHOWN ON DETAIL 2A.
- STEP 2. FASTEN LOWER RAILING BRACKETS TO RAILING CHANNEL AS SHOWN ON DETAIL 2B.
- STEP 3. ATTACH UPPER END OF THE RAILING CHANNEL TO THE RISER PANEL, BOLTING THROUGH THE UPPER RAILING BRACKET AND THE RISER. FASTEN THE LOWER END OF THE RAILING CHANNEL TO THE RISER PANEL, BOLTING THROUGH THE LOWER RAILING BRACKET AND THE RISER. SEE DETAIL 2C.



Assembling Railing to Riser Panel

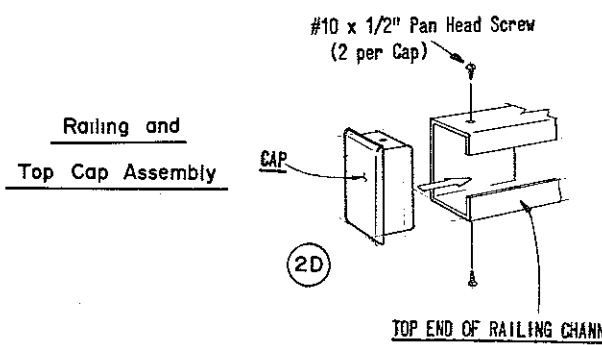


Railing and Top Cap Assembly

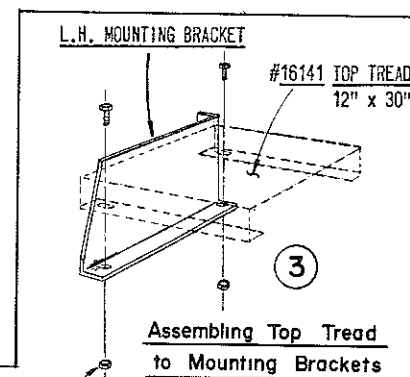


NOTE: ATTACH THE UPPER END OF THE RAILING BEFORE THE BOTTOM END.

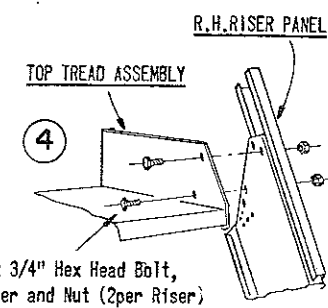
NOTE: TIGHTEN BOLTS SECURELY.



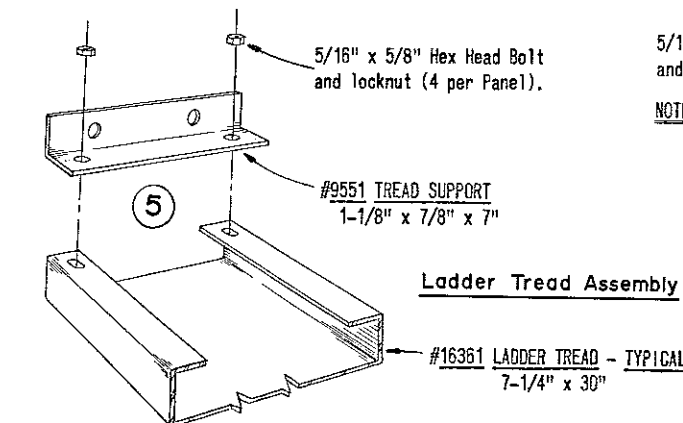
TOP END OF RAILING CHANNEL



Assembling Top Tread to Mounting Brackets

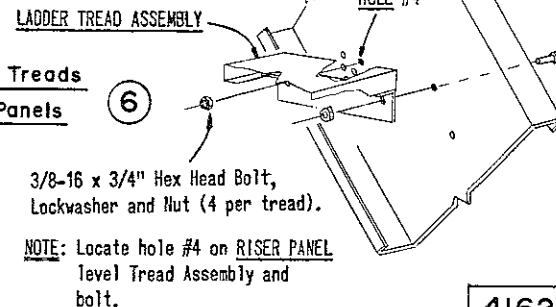


Fastening Riser to Top Mounting Brackets



Ladder Tread Assembly

Assembling Treads to Riser Panels



NOTE: Locate hole #4 on RISER PANEL level Tread Assembly and bolt.

	A	B	C	D
#930L11 11 Treads 3' 8" Run	10' 7-3/8" 10' 6-5/8" 10' 5-7/8" 10' 5-1/8"	10' 10-5/8" 10' 9-7/8" 10' 9-1/8" 10' 8-3/8"	1 & 2 2 & 3 3 & 4 4 & 5	4 4 4 4
#930L10 10 Treads 3' 5" Run	9' 7-3/4" 9' 7" 9' 6-1/4" 9' 5-1/2"	9' 11" 9' 10-1/4" 9' 9-1/2" 9' 8-3/4"	1 & 2 2 & 3 3 & 4 4 & 5	3 3 3 3
#930L09 9 Treads 3' 2" Run	8' 8-1/8" 8' 7-3/8" 8' 6-5/8" 8' 5-7/8"	8' 11-3/8" 8' 10-5/8" 8' 9-7/8" 8' 9-1/8"	1 & 2 2 & 3 3 & 4 4 & 5	2 2 2 2
#930L08 8 Treads 2' 11" Run	7' 8-5/8" 7' 7-7/8" 7' 7-1/8" 7' 6-3/8"	7' 11-7/8" 7' 11-1/8" 7' 10-3/8" 7' 9-5/8"	1 & 2 2 & 3 3 & 4 4 & 5	4 4 4 4
#930L07 7 Treads 2' 8" Run	6' 9" 6' 8-1/4" 6' 7-1/2" 6' 6-3/4"	7' 0-1/4" 6' 11-1/2" 6' 10-3/4" 6' 10"	1 & 2 2 & 3 3 & 4 4 & 5	3 3 3 3
#930L06 6 Treads 2' 5" Run	5' 9-3/8" 5' 8-5/8" 5' 7-7/8" 5' 7-1/8"	6' 0-5/8" 5' 11-7/8" 5' 11-1/8" 5' 10-3/8"	1 & 2 2 & 3 3 & 4 4 & 5	4 4 4 4
#930L05 5 Treads 2' 2" Run	4' 9-3/4" 4' 9" 4' 8-1/4" 4' 7-1/2"	5' 1" 5' 0-1/4" 4' 11-1/2" 4' 10-3/4"	1 & 2 2 & 3 3 & 4 4 & 5	3 3 3 3
#930L04 4 Treads 1' 11" Run	3' 10-1/4" 3' 9-1/2" 3' 8-3/4" 3' 8"	4' 1-1/2" 4' 0-3/4" 4' 0" 3' 11-1/4"	1 & 2 2 & 3 3 & 4 4 & 5	2 2 2 2