

41810

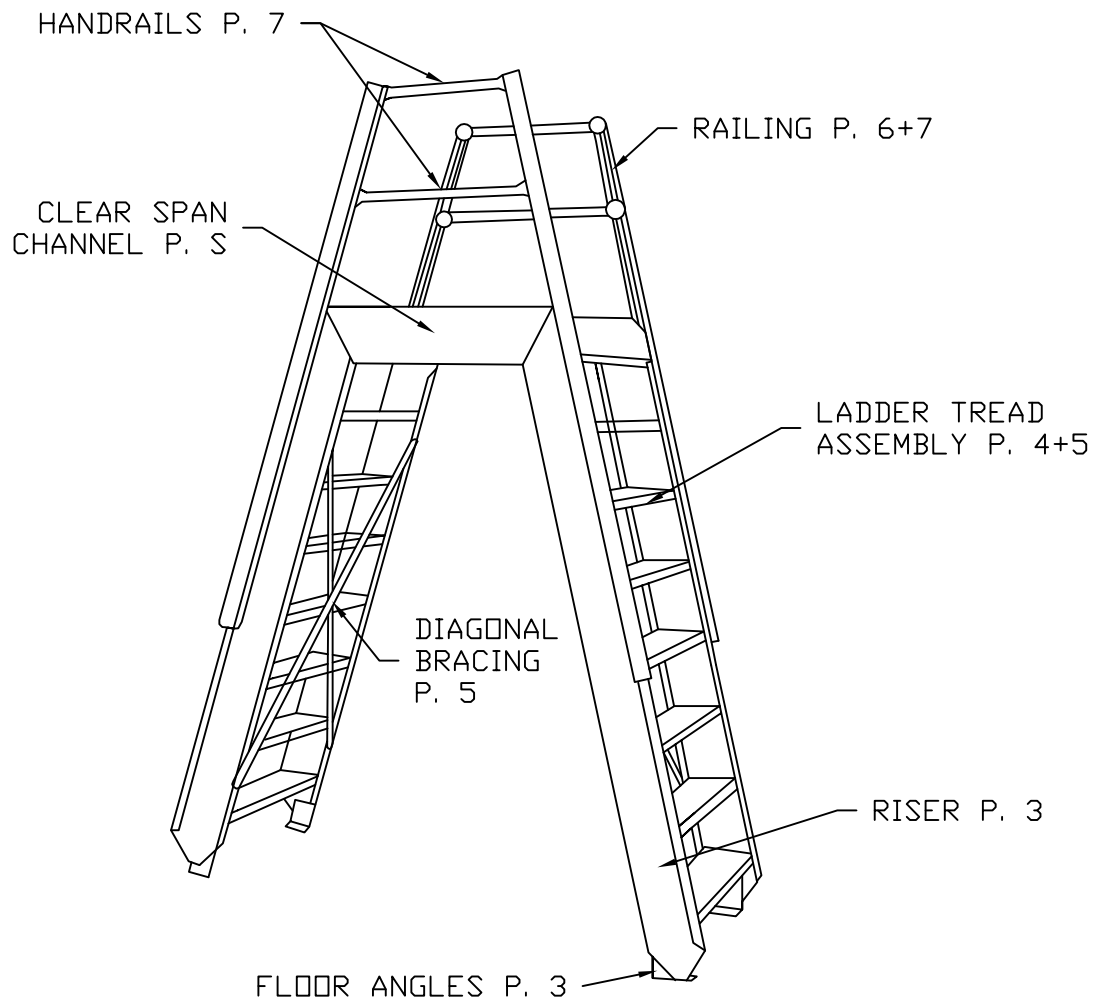
EQUIPTO

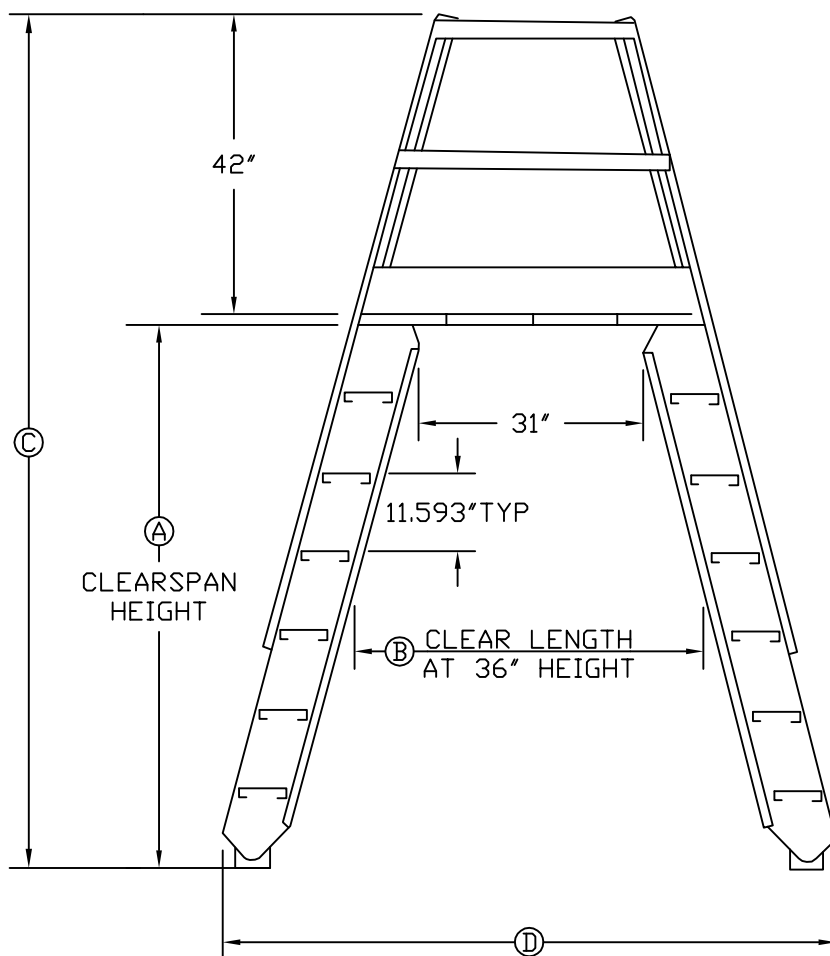
Clearspan Ladder
Assembly Instructions

READ INSTRUCTIONS BEFORE ASSEMBLING

TABLE OF CONTENTS

| | |
|--|--------|
| 1. FLOOR ANGLES TO RISER PANELS ASSEMBLY, | PAGE 3 |
| 2. CLEARSPAN CHANNEL TO RISER PANELS ASSEMBLY, | PAGE 3 |
| 3. TREAD TO CLEARSPAN CHANNEL ASSEMBLY, | PAGE 4 |
| 4. TREAD TO RISER PANELS ASSEMBLY, | PAGE 4 |
| 5. DIAGONAL BRACES TO RISER PANELS ASSEMBLY, | PAGE 5 |
| 6. RAILING TO RISER PANELS ASSEMBLY, | PAGE 6 |
| 7. HANDRAILS TO RAILING CHANNELS ASSEMBLY, | PAGE 8 |





| UNIT WIDTHS | | 'A' | 'B' | 'C' | 'D' |
|-------------|--------|-------|--------|---------------|----------------|
| 24" | 30" | HIGHT | LENGTH | OVERALL HIGHT | OVERALL LENGTH |
| 924X04 | 930X04 | 42" | 34" | 7' 2" | 5' 9" |
| 924X05 | 930X05 | 54" | 40" | 8' 1" | 6' 3" |
| 924X06 | 930X06 | 65" | 46" | 9' 1" | 6' 10" |
| 924X07 | 930X07 | 77" | 52" | 10' 1" | 7' 4" |
| 924X08 | 930X08 | 88" | 59" | 11' 0" | 7' 10" |
| 924X09 | 930X09 | 100" | 65" | 12' 0" | 8' 4" |
| 924X10 | 930X10 | 112" | 71" | 12' 11" | 8' 10" |
| 924X11 | 930X11 | 123" | 77" | 13' 11" | 9' 5" |

#924 LADDER TREADS ARE 23-3/4" WIDE AND 7-1/4" DEEP.

#930 LADDER TREADS ARE 29-3/4" WIDE AND 7-1/4" DEEP.

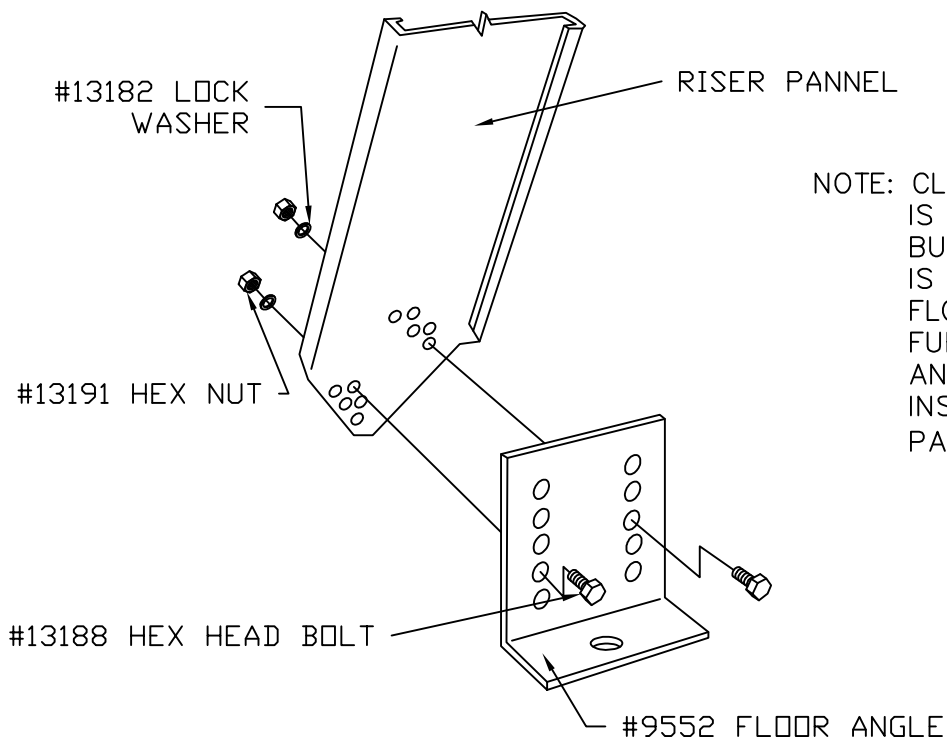
OVERALL WIDTH OF #924 LADDERS IS 29".

OVERALL WIDTH OF #930 LADDERS IS 35".

LADDER INCLINES ARE AT 75 DEGREES TO THE HORIZONTAL PLANE

NOTE - ALL LADDER FEET MUST BE ANCHORED TO THE FLOOR.
(ANCHORS SUPPLIED BY OTHERS)

1 FLOOR ANGLES TO RISER PANELS ASSEMBLY.

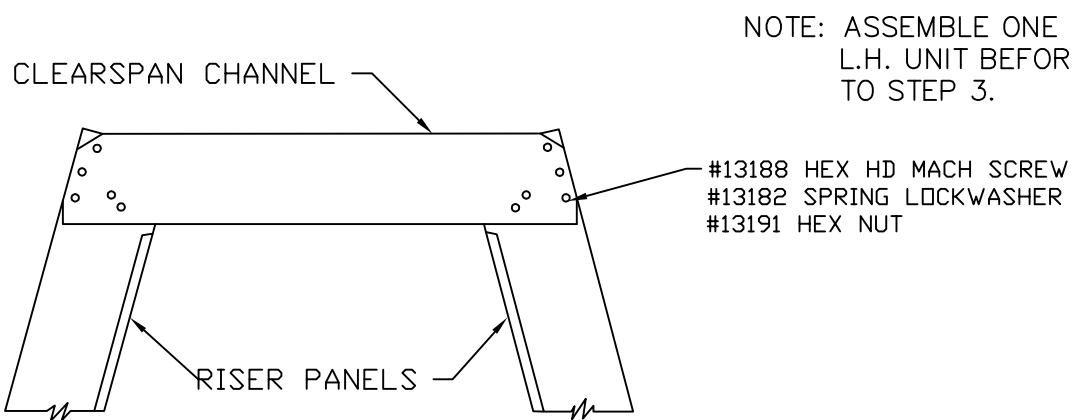


NOTE: CLEARSPAN LADDER CROSSOVER IS TO BE ANCHORED TO FLOOR BUT NOT UNTIL THE CROSSOVER IS COMPLETELY ASSEMBLED. FLOOR ANCHORS ARE TO BE FURNISHED BY OTHER. FLOOR ANGLES MAY BE INSTALLED INSIDE OR OUTSIDE OF THE RISER PANELS. (INSIDE SHOWN)

#13188 HEX HD MACH SCREW 3/8" x 3/4"
 #13182 SPRING LOCKWASHER 3/8"
 #13191 HEX NUT 3/8
 (2 PER ANGLE)



2 CLEARSPAN CHANNEL TO RISER PANELS ASSEMBLY.

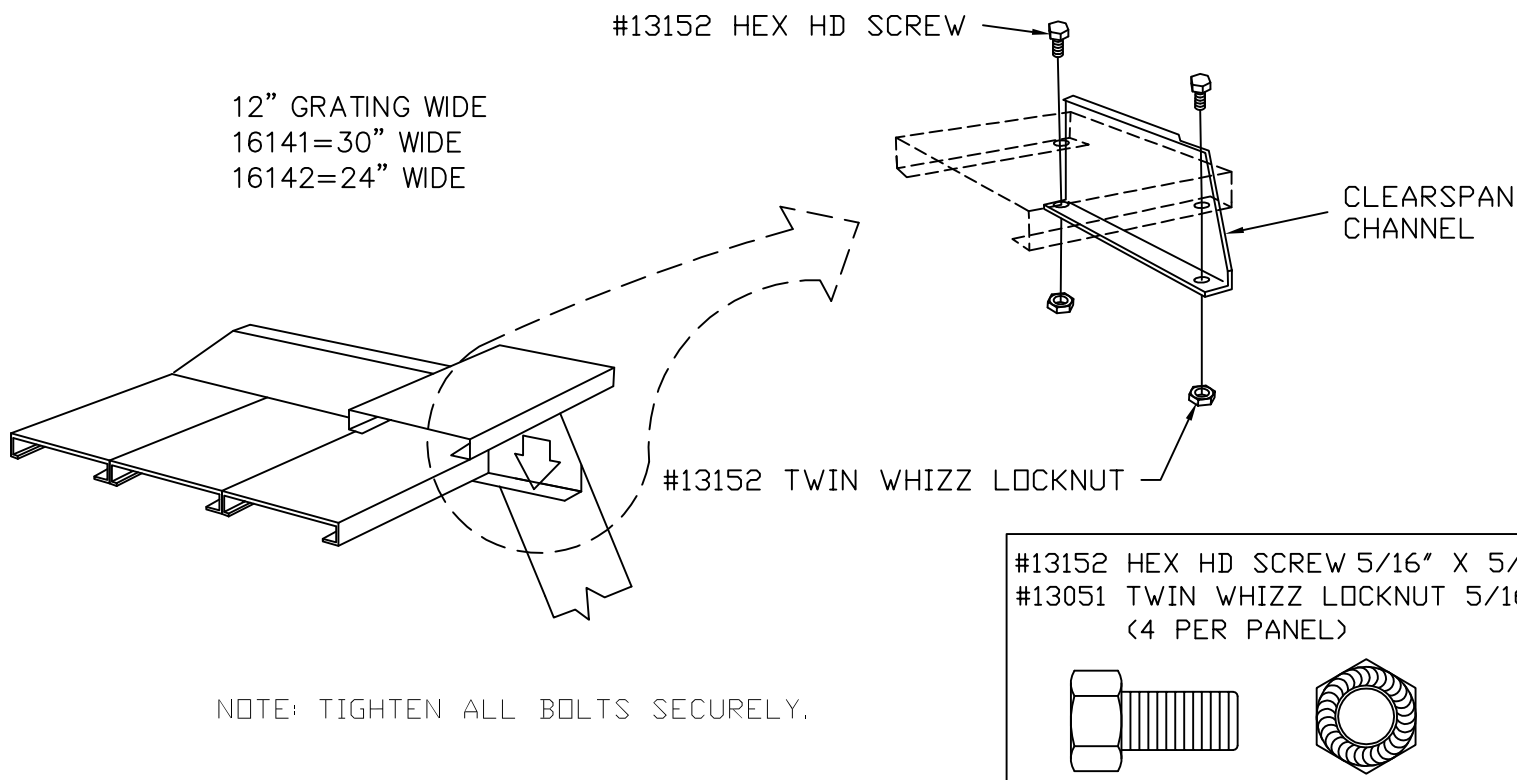


NOTE: ASSEMBLE ONE R.H. AND ONE L.H. UNIT BEFORE PROCEEDING TO STEP 3.

#13188 HEX HD MACH SCREW 3/8" x 3/4"
 #13182 SPRING LOCKWASHER 3/8"
 #13191 HEX NUT 3/8
 (5 PER END)

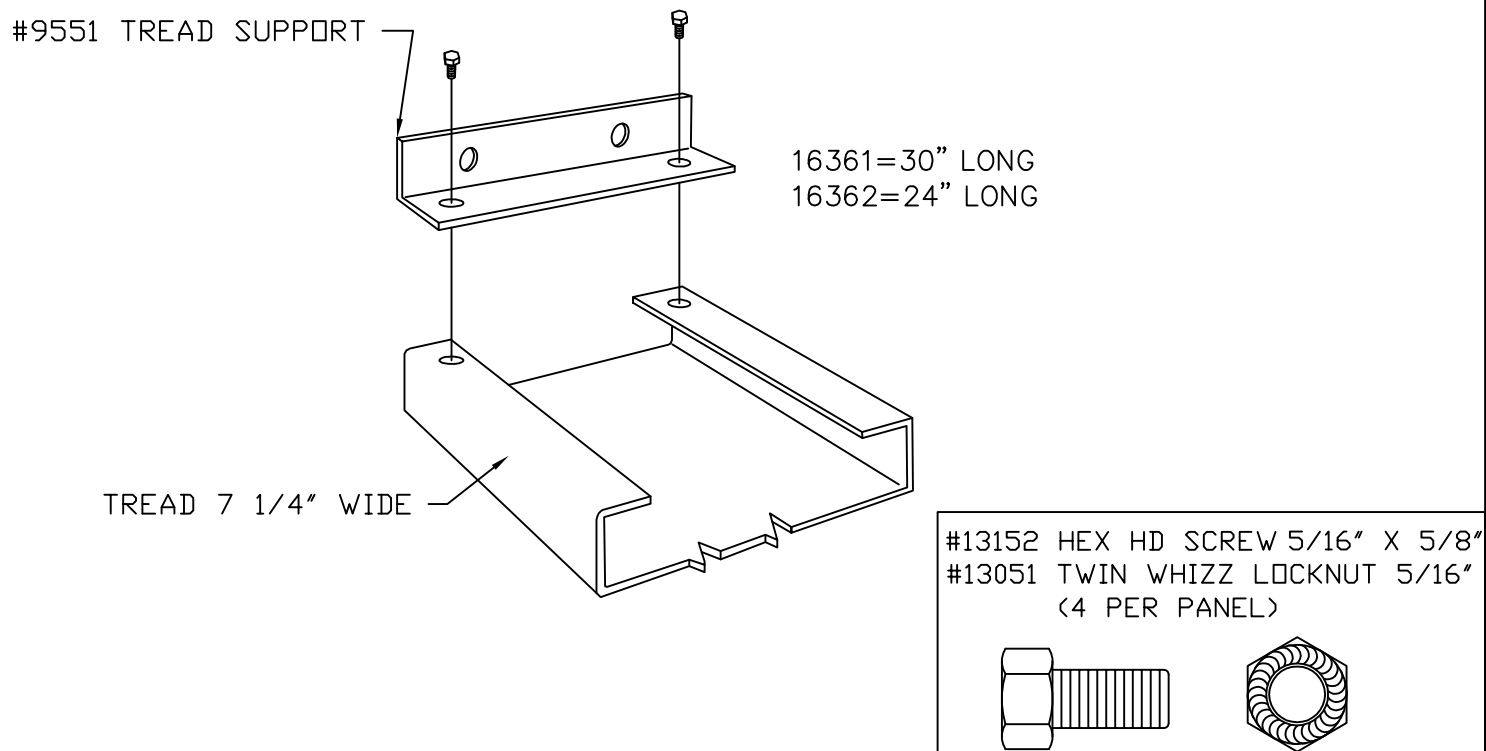


③ TREAD TO CLEARSPAN CHANNELS ASSEMBLY.



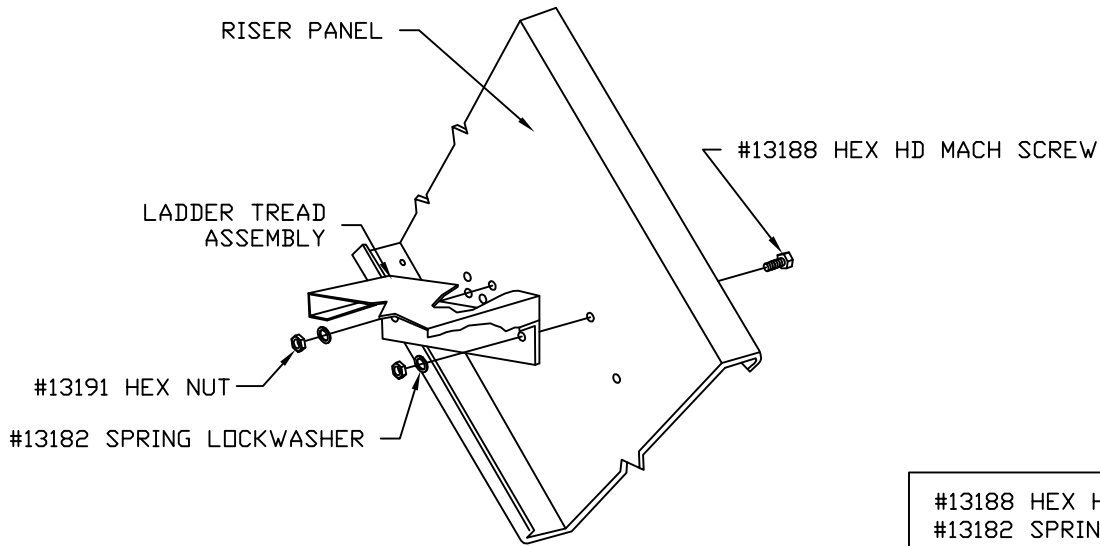
④ TREAD TO RISER PANELS ASSEMBLY.

a. SECURE TREAD SUPPORT TO TREAD.



④ TREAD TO RISER PANELS ASSEMBLY.

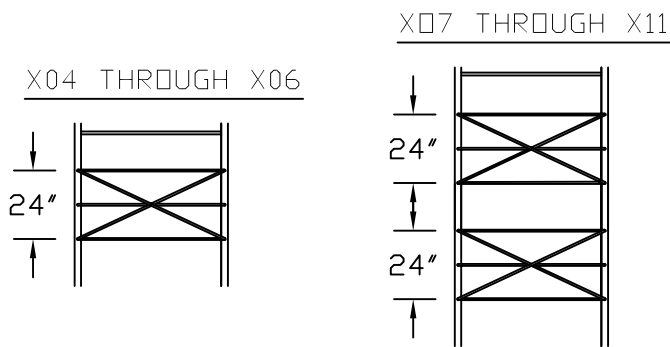
b. SECURE TREAD ASSEMBLY TO RISER PANEL



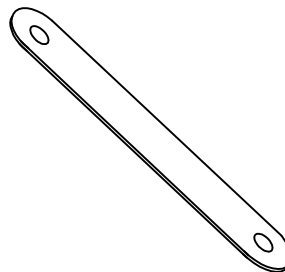
- #13188 HEX HD MACH SCREW 3/8" x 3/4"
- #13182 SPRING LOCKWASHER 3/8"
- #13191 HEX NUT 3/8
- (4 PER TREAD)



⑤ DIAGONAL BRACES TO RISER PANELS ASSEMBLY.



BACK VIEW OF LADDERS AND BRACING LAYOUT

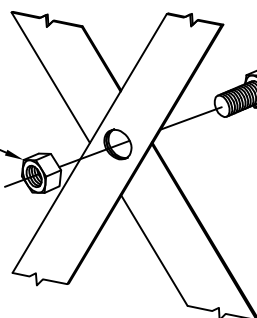


ASSEMBLY PRECAUTIONN
 DIAGONAL BRACES MUST BE ATTACHED TO LADDER TO PROVIDE STABILITY. FAILURE TO ATTACH THE BRACES WILL RESULT IN AN UNSAFE UNIT.

DIAGONAL BRACE
 (EITHER 4 OR 8 PER UNIT)

- #6492 24" WIDE UNIT BRACES ARE 33 23/32" LONG
- #6493 30" WIDE UNIT BRACES ARE 38 1/8" LONG

#13051 TWIN WHIZZ LOCKNUT 5/16"



#13152 HEX HD SCREW

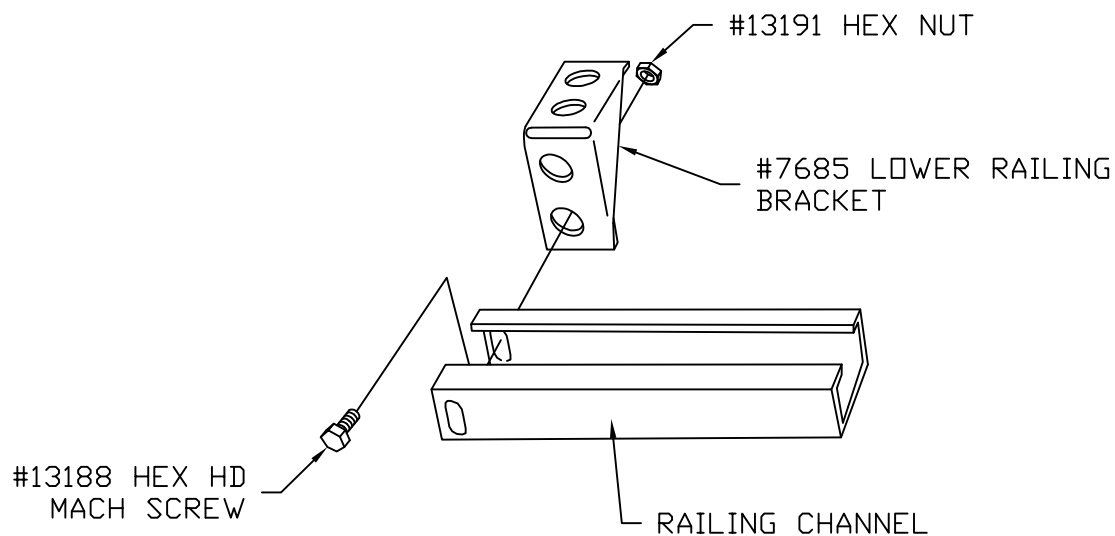
NOTE: AFTER DIAGONAL BRACES ARE BOLTED IN PLACE, BOLT BRACES IN THE MIDDLE AS SHOWN BELOW.

- #13152 HEX HD SCREW 5/16" X 5/8"
- #13051 TWIN WHIZZ LOCKNUT 5/16"
- (1 PER SET OF BRACES)



6 RAILING TO RISER PANELS ASSEMBLY.

(LOWER BRACKET+RAILING CHANNEL ASSEMBLY)

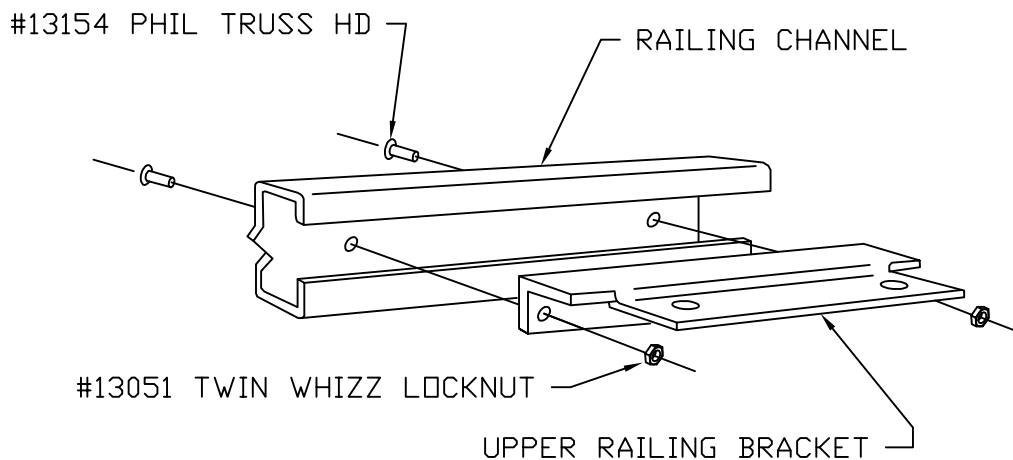


#13188 HEX HD MACH SCREW 3/8" x 3/4"
#13191 HEX NUT 3/8
(1 PER LOWER BRACKET)

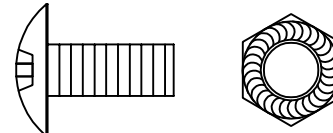


6 RAILING TO RISER PANELS ASSEMBLY.

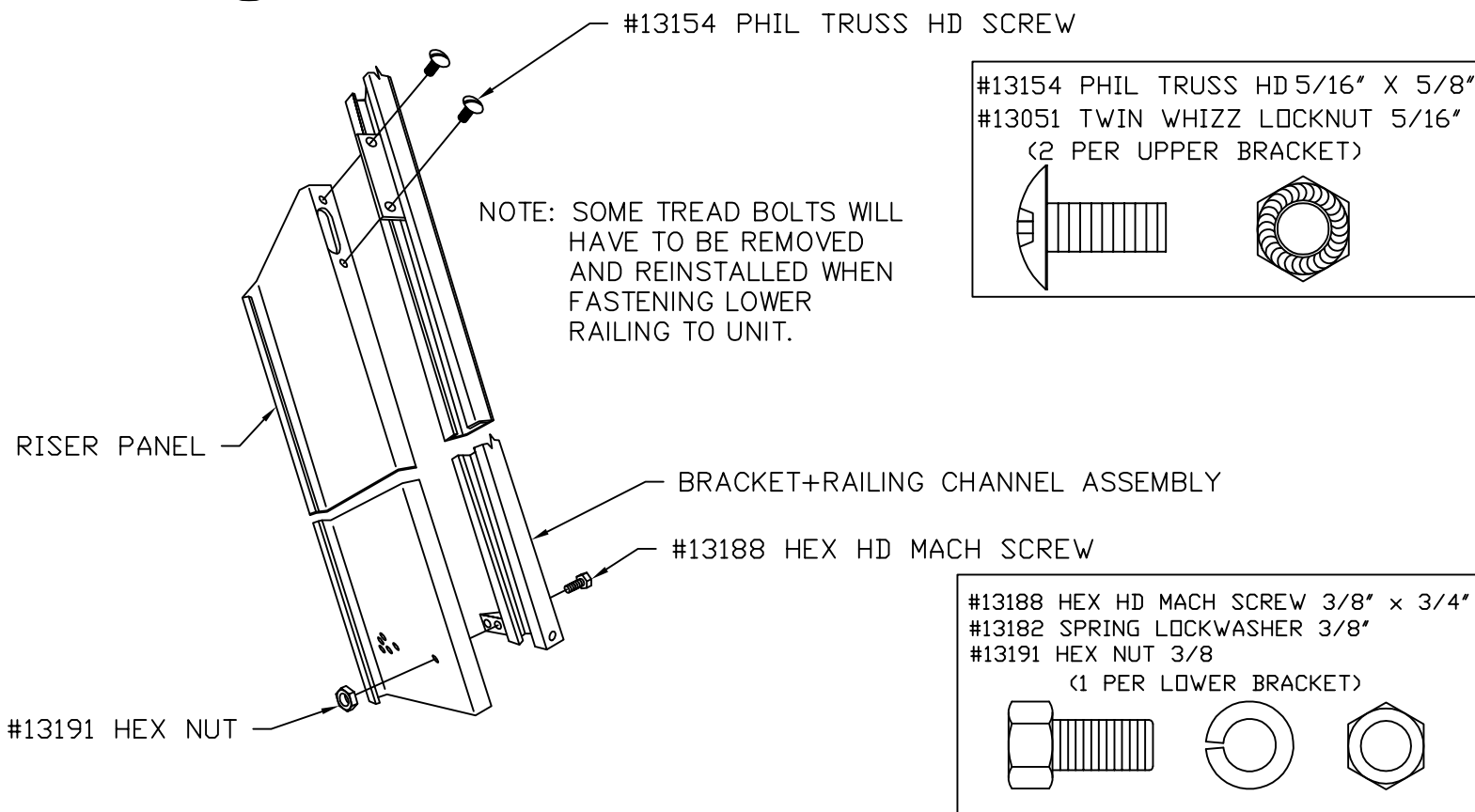
(UPPER BRACKET+RAILING CHANNEL ASSEMBLY)



#13154 PHIL TRUSS HD 5/16" X 5/8"
#13051 TWIN WHIZZ LOCKNUT 5/16"
(1 PER SET OF BRACES)

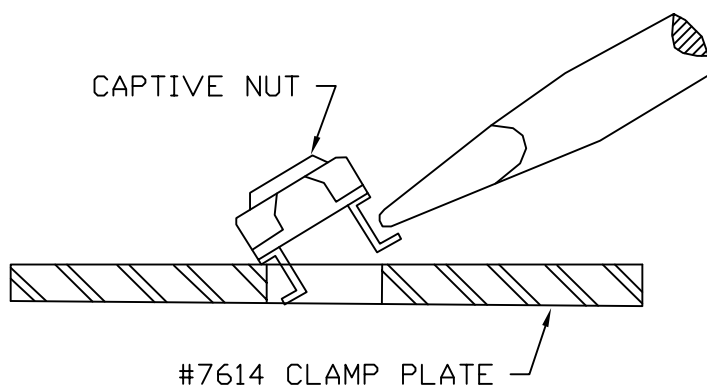


6 RAILING TO RISER PANELS ASSEMBLY.



7 HANDRAILS TO RAILING CHANNELS ASSEMBLY.

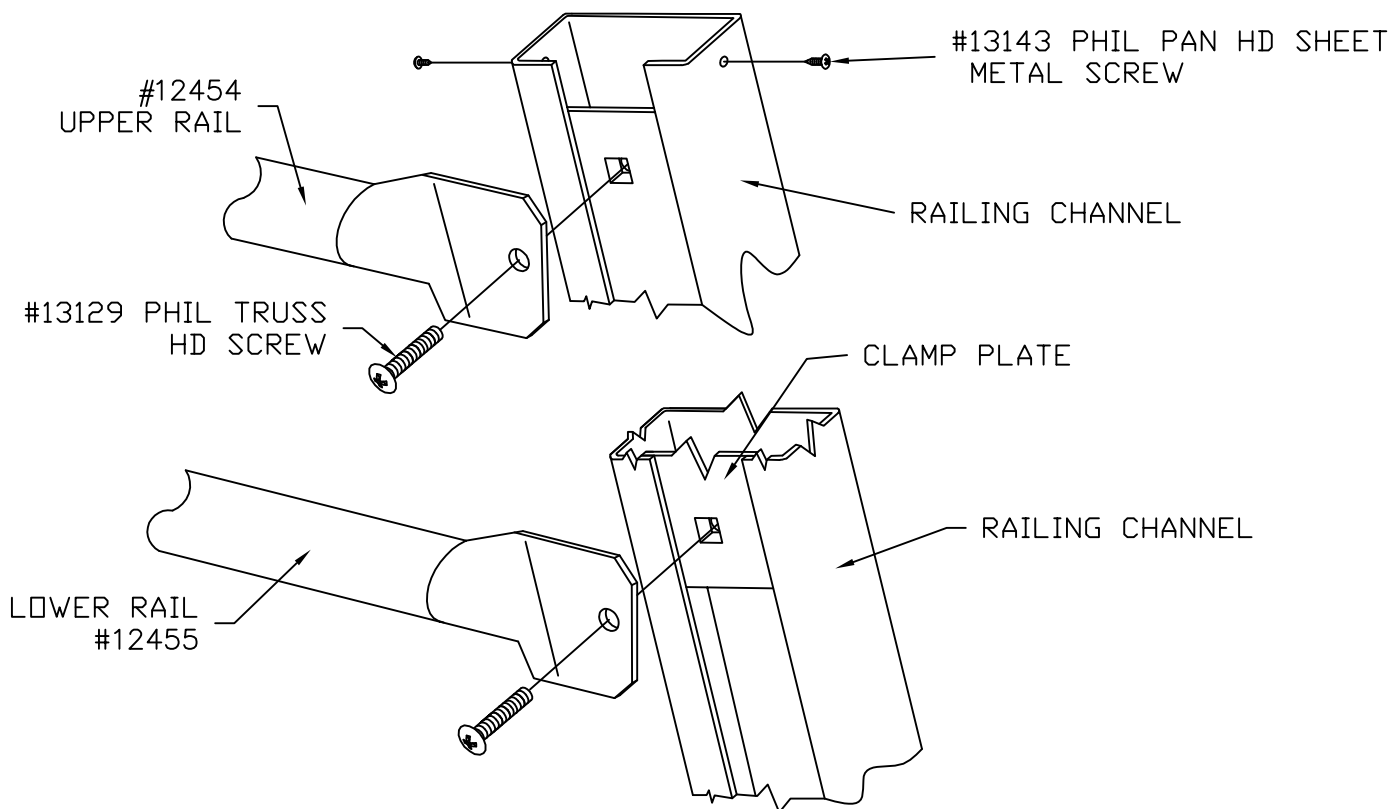
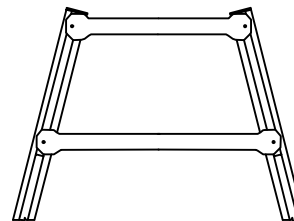
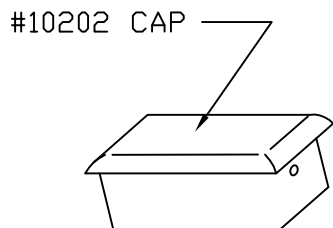
a. INSTALLING CAPTIVE NUTS ON CLAMP PLATE



CAPTIVE NUT ASSEMBLY
 INSERT ONE LIP OF THE RETAINER INTO HOLE IN PLATE. INSERT BLADE OF SCREWDRIVER INTO REMAINING LIP AND PUSH IN AND DOWN TO COMPLETE NUT ASSEMBLY.

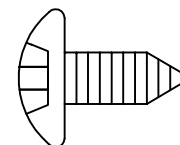
7 HANDRAILS TO RAILING CHANNELS ASSEMBLY.

b. RAILING AND TOP CAP ASSEMBLY



INSERT CLAMP PLATE INTO RAILING AS SHOWN. FASTEN HANDRAILS WITH 1/4" x 1 1/4" TRUSS HEAD BOLT AND CAPTIVE NUT. AFTER ASSEMBLY, ATTACH CAP AS SHOWN

#13143 PHIL PAN HD SHEET METAL SCREW #10- 1/2"
(2 PER CAP)



#13129 PHIL TRUSS HD SCREW 1/4" X 1 1/4"
(2 PER RAILING)

