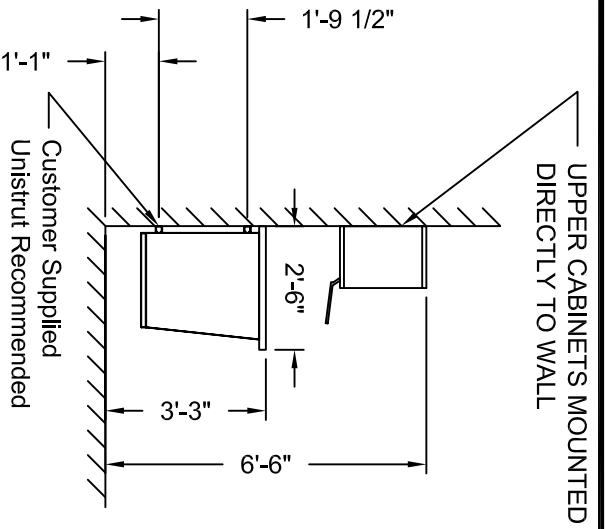
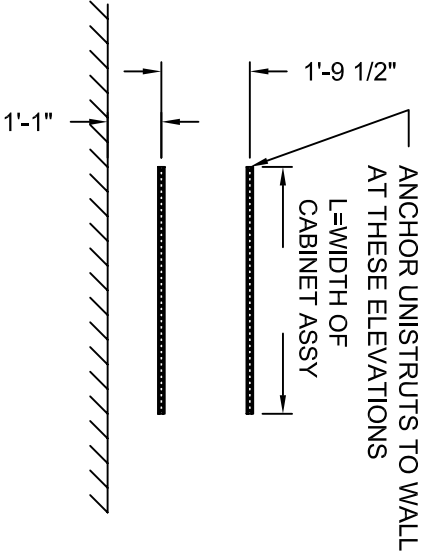


Tech Bench Wall Mounted Illustration

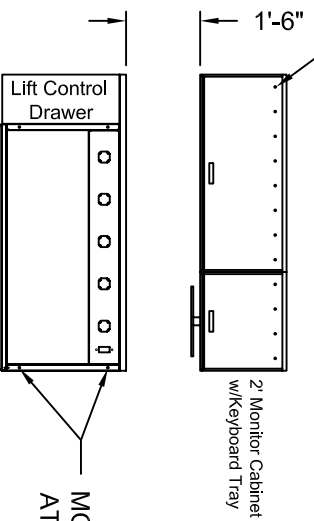


Side View



Front View

MOUNT UPPER CABINETS DIRECTLY TO WALL.



MOUNT TECH BENCH TO UNISTRUT AT (4) CORNER HOLE LOCATIONS

Front View

REVISIONS				DATE	BY	CHK	DISTRIBUTOR	CUSTOMER	DRAWN BY	SCALE	CHECKED BY	DATE	REV	DRAWING NO.
A	ISSUED			3-16-07	DJC	EW			DJC	A 1/4"=1'	EW	3/16/07	A	TECH BENCH WALL ANCHORING INSTRUCTIONS
<p>223 Main Street · Tannock, PA 16065 Tel: 610-253-2775 · FAX: 610-253-0189 http://www.equipco.com</p> <p style="text-align: right;"> <small>Equipment, Inc. 2825 Lakeside Drive York, PA 17402</small> </p>														

DRAWING NO. TECH BENCH WALL ANCHORING INSTRUCTIONS
 SHEET 1 OF 1