

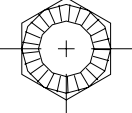
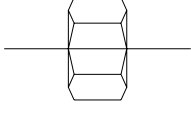
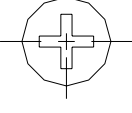
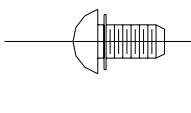
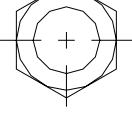
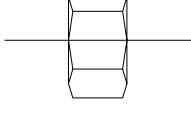
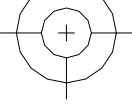
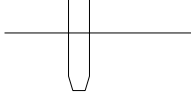
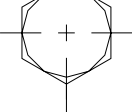
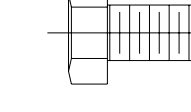
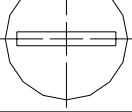
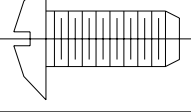
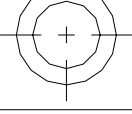
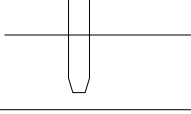
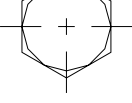
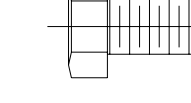


Tech Bench Assembly Instructions



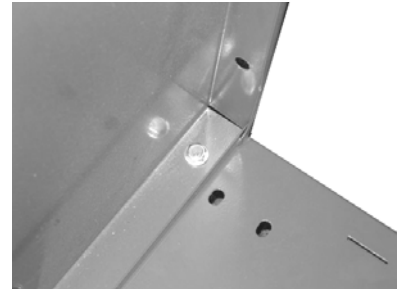
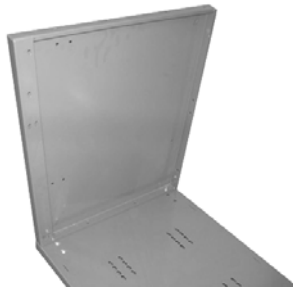
Equipto
225 Main Street
Tatamy, PA 18085
Customer Service: 800-323-0801

HARDWARE LIST

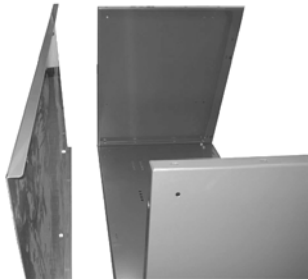
NUMBER	DESCRIPTION	HARDWARE	
#13051	LOCK NUT 5/16		
#13053	Slit Truss Head Sems Screw 8"-32 x 3/8"		
13106NT	HEX NUT 1/8"		
13132	Flat Washer 1/4"		
#13152	HEX HEAD BOLT 5/16" x 5/8"		
13162	TRUSS HEAD MACHINE SCREW 1/4"-20 x 1/2"		
13175	Standard Flat Washer 5/16"		
13189	HEX HEAD MACHINE SCREW 3/8"-16 x 1 1/4"		

LOWER CABINET ASSEMBLY

1. Align the holes of the bottom panel and left side panel (making sure that both angled edges are facing forwards).
2. Join together using (8) 13152 bolts, (8) 13175 flat washers and (8) 13051 nuts and tighten securely.
3. Repeat steps 1 and 2 for the right lower cabinet side panel.



4. Align holes of rear panel with both left and right side panels.
5. Join together using (4) 13152 bolts, (4) 13175 flat washers and (4) 13051 nuts

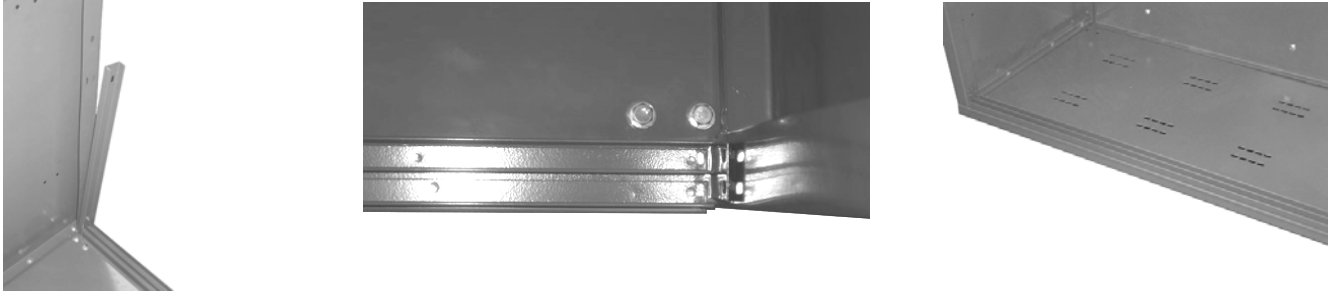


At this point, the lower cabinet should look like this

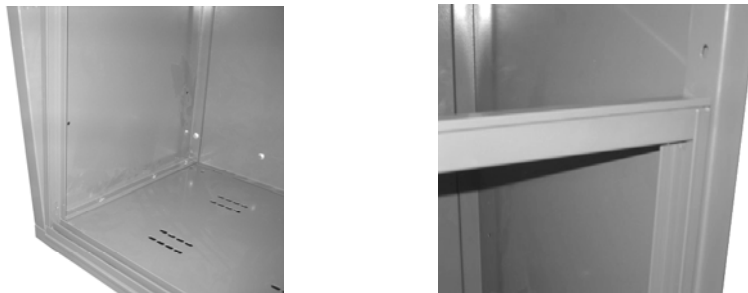


LOWER CABINET SLIDING DOOR TRACK

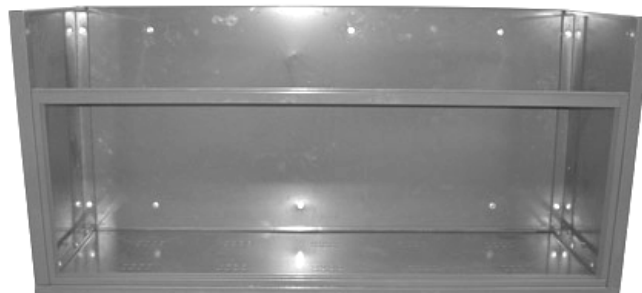
6. Align the holes of lower track assembly on the top surface of the bottom panel, end flanges up.
7. Align the holes of the left side track assembly along the left side cabinet panel
8. Secure both tracks to the left side cabinet panel using (2) 13162 bolts, (2) 13132 flat washers and (2) 13060 nuts.
9. Repeat steps 6-8 for right side



10. Lay top track assembly on top of both side track assemblies, flange down, and align holes.
11. Secure both top track assembly and the top of the side track assemblies to the left and right side panels using 13162 bolts, 13132 flat washers and 13060 nuts.



At this point, the lower cabinet should look like this



Lower Cabinet Front Components

12. Slide the receptacle panel in the front of the lower bench assembly and align the holes with the left and right side panels.

13. Secure with (4) 13162 bolts, 13060 washers and 13132 nuts.



14. Slide the right hand door into the track, furthest from the front, of the top track assembly (make sure that the holes for the handle are pointed away from the center).

15. Push the door up on the left side and slide to the right high enough so that the bottom of the door can be placed into the lower track assembly.

16. Guide the bottom of the door into the track, furthest from the front, of the lower track assembly.

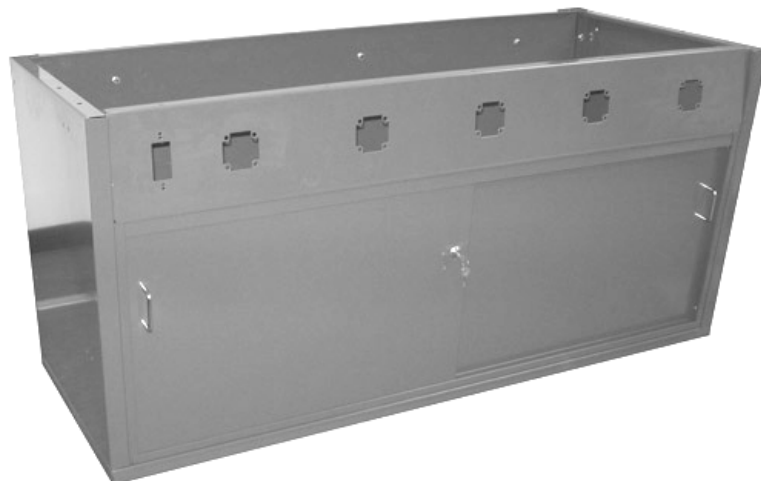
17. Repeat steps 14-16 for the left hand door.



18. Install door handles (2) 11250 with 13053 screw and lock washer.

19. Install optional lock (1) 13106 using 13106NT hex nut and 13106RN ring.

At this point, the lower cabinet should look like this

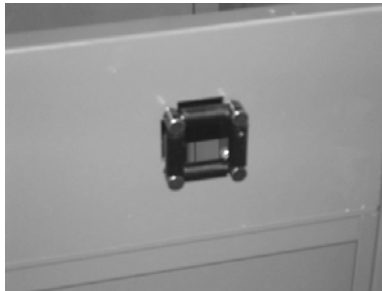


Install Tech Bench Options

20. Install GFCI Receptacle Plate or GFCI Cut-Out Cover with included hardware.



21. Install Roller Set (4) with included hardware.



22. Mount optional upper cabinets and fasten together using 13162 bolts and 13060 nuts.



23. Install optional Keyboard and mouse tray with included hardware to underside of monitor cabinet.

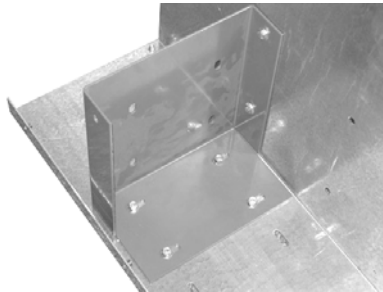


Install Optional Lift Control Drawer

24. Locate the lift control drawer frame and place it on the floor, standing on the top edge as shown below (Rotary 500 shown).



25. Place lift control mounting bracket onto the lift control drawer frame, as shown below, and secure with (6) 13152 bolts, (12) 13175 flat washers, and (6) 13051 nuts.



26. Install top and bottom drawer slides to the side of the lower bench cabinet assembly, using (6) 13136 screws and (6) 13060 nuts.



27. Gently guide and work the lift control drawer frame onto the attached drawer slides until the front is flush with the front of the lower cabinet assembly.



28. Align the holes of the lift control motor to the lift control motor mount and secure by using (4) 13189 bolts, (4) 13187 flat washers and (4) 131913 nuts.



29. Align lift control motor controls through the holes of the lift control drawer front cover

30. Align the hardware holes of the lift control drawer cover with the holes on the lift control drawer frame and secure the front cover to the frame by using 13162 counter sink screws and 13060 nuts.

31. Align the hardware holes of the optional lift control drawer side panel with the holes on the lift control drawer frame and secure the side panel to the frame using 13162 counter sink screws and 13060 nuts.



32. Align hardware holes in top with holes in the lower cabinet receptacle, left and right lower side panels and lower cabinet back panel.

33. Secure top to lower cabinet assembly by using 13156 phillips head screws.

