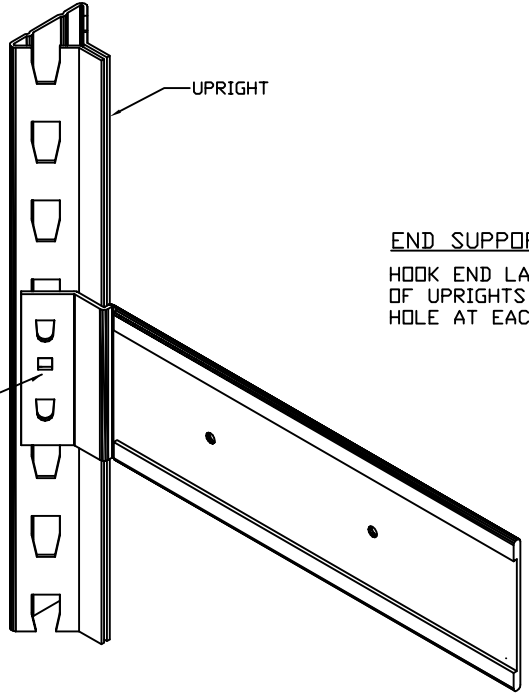
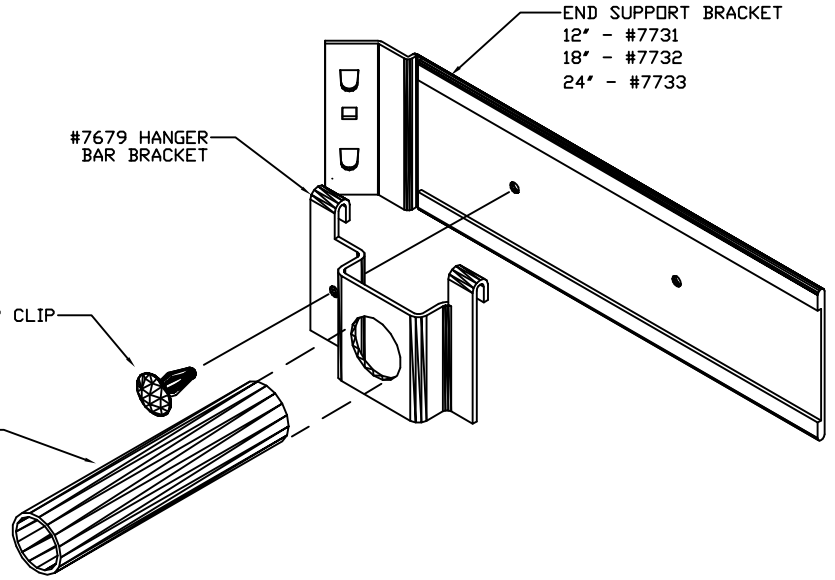


UNLESS OTHERWISE SPECIFIED	+/-
Inside Form. Rad. = Matl. Thick.	
Dimensions to a Formed Edge	.03
Dimensions to a Sheared Edge	.02
Dim. Between Holes or Notches	.01
Varying Dimensions are Noted	(REF)
Angles	2°

THIS DRAWING IS THE PROPERTY OF		HANGER BAR ASSEMBLY INTO V-GRIP UNITS		NO: 42547	
EQUIPTO				SCALE: NONE	DATE: 6-18-08
DALLAS, TEXAS 75219 PH. (214) 443-9800 FAX (214) 443-9644 © 1997 BY EQUIPTO REPRODUCTION STRICTLY FORBIDDEN				DRWN BY: MJC	CHK BY: DCM
				PATH:	
REV.	DATE	DESCRIPTION OF LAST REVISION	BY	CHK BY	
C	6/18/08	ADDED DART CLIP AND CORRECTED HANGER BAR NUMBERS	EJB	DD	



END SUPPORT AND UPRIGHT ASSEMBLY
 HOOK END LANCES OF SUPPORT BRACKET INTO SLOTS OF UPRIGHTS AND INSERT DART CLIP THRU SQUARE HOLE AT EACH END TO LOCK SUPPORT IN PLACE



HANGER BAR ASSEMBLY

1. INSTALL "END SUPPORT BRACKET" AT EACH END OF SHELVING UNIT AT THE SAME LEVEL.
2. HOOK "HANGER BAR BRACKET" OVER TOP EDGE OF "END SUPPORT" AND INSTALL "STOP CLIP".
3. INSERT END OF "HANGER BAR" INTO BRACKET AS SHOWN.
4. SLIDE 2ND BRACKET OVER OPPOSITE END OF "HANGER BAR", SWING INTO POSITION AND HOOK BRACKET OVER TOP EDGE OF END SUPPORT. INSTALL "STOP CLIP" AS SHOWN.

NO: 42547