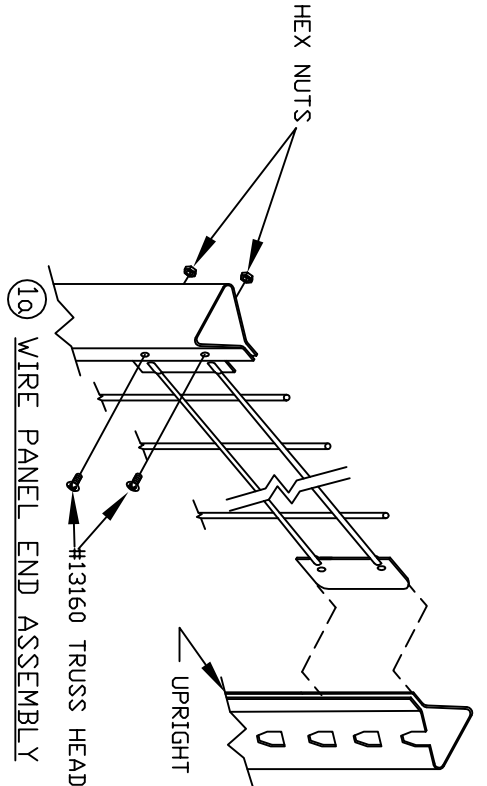
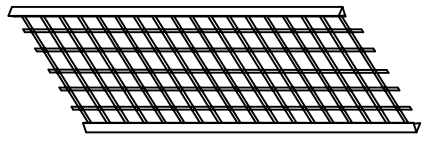


42594

EQUIPTO

Wire Rack/End Panel Assembly Instructions

READ INSTRUCTIONS BEFORE ASSEMBLING

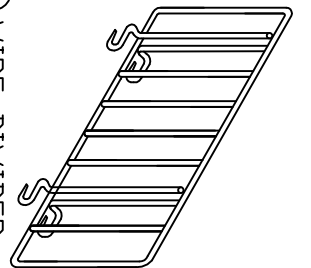


10 WIRE PANEL END ASSEMBLY

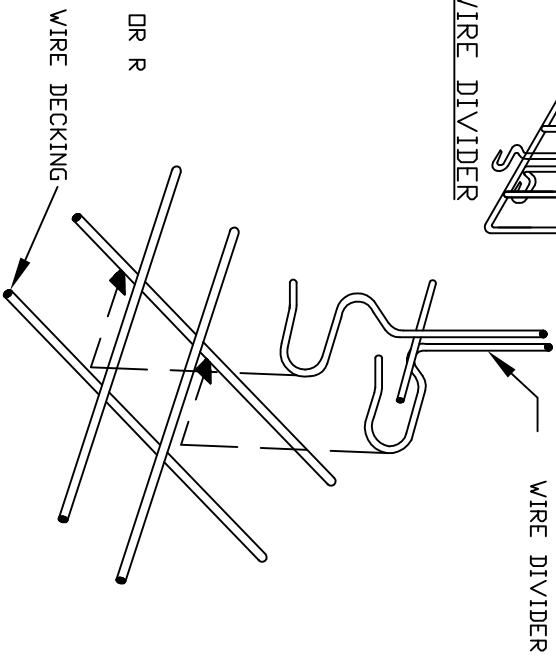
1 TYPICAL WIRE END PANEL ASSEMBLY
SEE DETAIL 5a FOR ASSEMBLY DETAILS
NOTE: VERTICAL RODS OF WIRE PANEL EXTEND FURTHER AT TOP THAN AT BOTTOM OF PANEL.

MAKE CERTAIN BOTH UPRIGHTS ARE TURNED WITH THE SLOTS FACING IN THE SAME DIRECTION INSERT PANEL BRACKETS BETWEEN FLANGES OF UPRIGHTS AND FASTEN SHOWN ABOVE, SECURELY.

UPRIGHT AT REAR OF UNIT

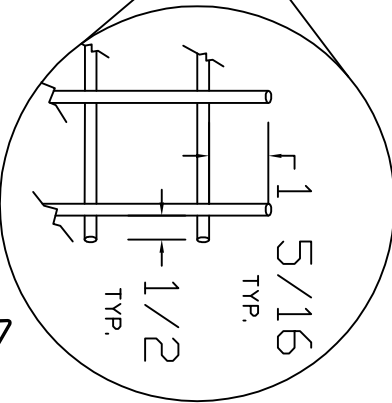


3 WIRE DIVIDER



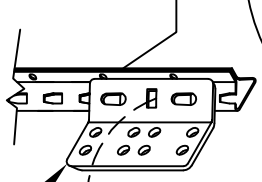
3a WIRE DIVIDER ASSEMBLY

POSITION DIVIDER AT DESIRED LOCATION ON WIRE DECKING AND PUSH REAR LOCKING DIVIDER IN PLACE.



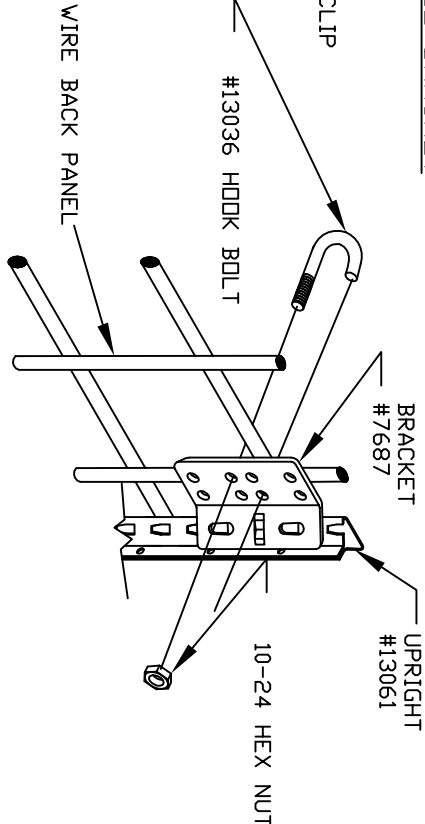
2a WIRE PANEL BRACKET

UPRIGHT AT REAR OF UNIT



2b BRACKET LOCKING CLIP ASSEMBLY

WIRE BACK PANEL



2c BOLTING WIRE BACK PANEL AT REAR OF UNIT

2 WIRE BACK ASSEMBLY
SEE DETAIL 2a, 2b, 2c, AND 2d