

51710ASY

EQUIPTO

Flex Work Center
Assembly Instructions

TABLE OF CONTENTS

EQUIPTOFLEX BENCH ASSEMBLY

STEP 1. <u>ELECTRICAL STRIP ASSEMBLY</u>	3
STEP 2. <u>MODESTY PANEL ASSEMBLY</u>	4
STEP 3. <u>WOOD/LAMINATE TOP ASSYSEMBLY</u>	5
STEP 4. <u>STEEL TOP ASSEMBLY</u>	6
STEP 5. <u>HALF SHELF ASSEMBLY</u>	7
5a. SHELF SUPPORT ANGLE INSTALLATION	7
5b. HALF SHELF ASSEMBLY.....	7
STEP 6. <u>INNER COVER ASSEMBLY</u>	8

OPTIONAL ACCESSORIES

1. <u>AERIAL SHELF ASSEMBLY</u>	9
1a. BACK PANEL ASSEMBLY.....	9
1b. SHELF ASSEMBLY	9
1c. ATTACHING AERIAL SHELF TO STEEL TOP	10
1d. ATTACHING AERIAL SHELF TO WOOD TOP	11
2. <u>KEYBOARD ASSEMBLY</u>	12
2a. SLIDE ASSEMBLY.....	12
2b. ARM SUPPORT ASSEMBLY.....	12
2c. KEYBOARD SHELF INSTALLATION.....	13
2d. REAR BUMPER ASSEMBLY.....	13
3. <u>MOBILE WHEEL KIT ASSEMBLY</u>	14
3a. CASTER BAR ASSEMBLY.....	14
3b. CABINET ASSEMBLY.....	14
4. <u>SPACER FOR STEEL TOP</u>	15

<u>REINSTALLING DRAWERS</u>	16
-----------------------------------	----

OPTIONAL SHELF INSTALLATION

<u>OTHER EQUIPTO PRODUCTS</u>	17
-------------------------------------	----

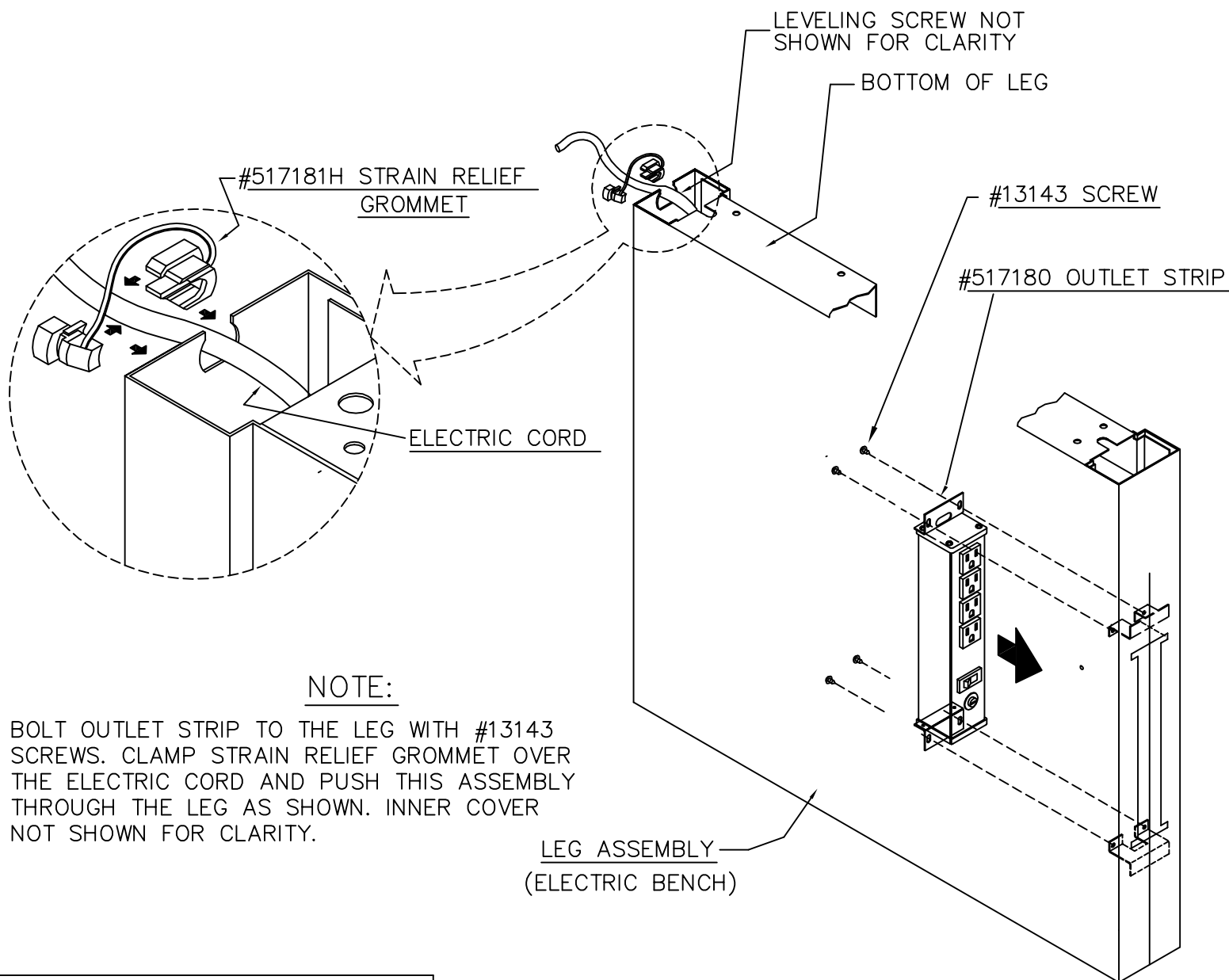
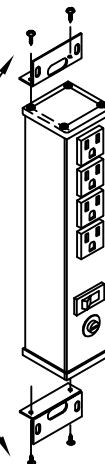
1

ELECTRICAL STRIP ASSEMBLY

NOTE:

AT EACH END OF OUTLET TWO SCREWS ARE TO BE REMOVED AS SHOWN. MOUNTING ANGLES ARE TO BE ATTACHED USING THESE SCREWS.
(FOR CLARITY CORD IS NOT SHOWN ON OUTLET)

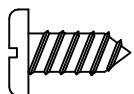
LEG SHOWN UPSIDE DOWN



NOTE:

BOLT OUTLET STRIP TO THE LEG WITH #13143 SCREWS. CLAMP STRAIN RELIEF GROMMET OVER THE ELECTRIC CORD AND PUSH THIS ASSEMBLY THROUGH THE LEG AS SHOWN. INNER COVER NOT SHOWN FOR CLARITY.

#13143 SL PAN HD SHT MET SCREW
#10 - 1/2"
(4 PER OUTLET STRIP)

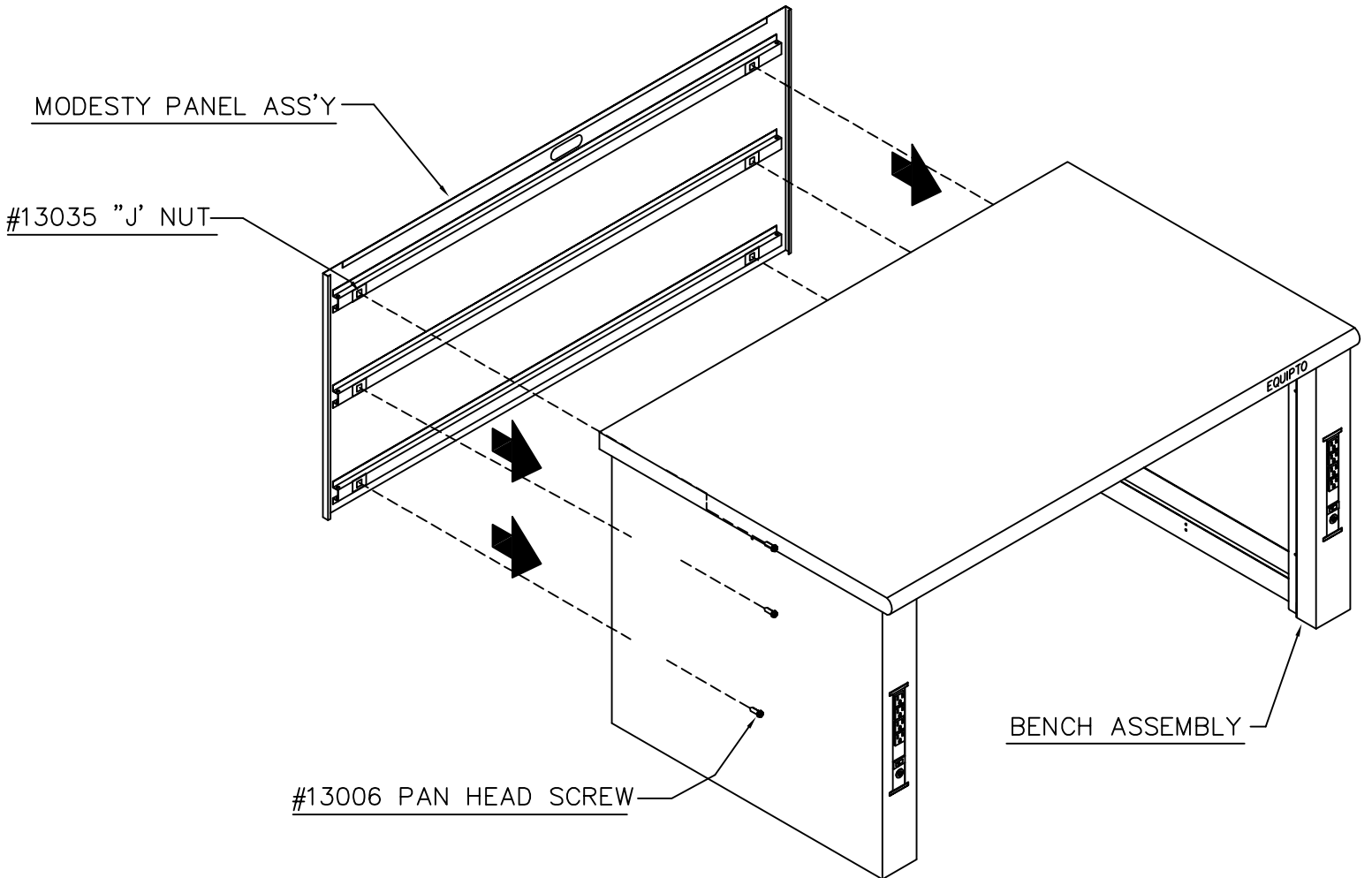


FULL SCALE

Step

2

MODESTY PANEL ASSEMBLY

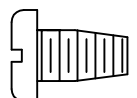


#13035 TINNEMAN J-NUT
FOR SHEET METAL SCREW
(6 PER PANEL)



FULL SCALE

#13006 PAN HEAD SCREW
METAL SCREW
1/4"-20 X 3/8"
(6 PER PANEL)



Step

3

WOOD/LAMINATE TOP ASSEMBLY

WOOD/LAMINATE TOP

NOTE

BOLT TOP TO LEG BEFORE INNER PANEL IS ASSEMBLED

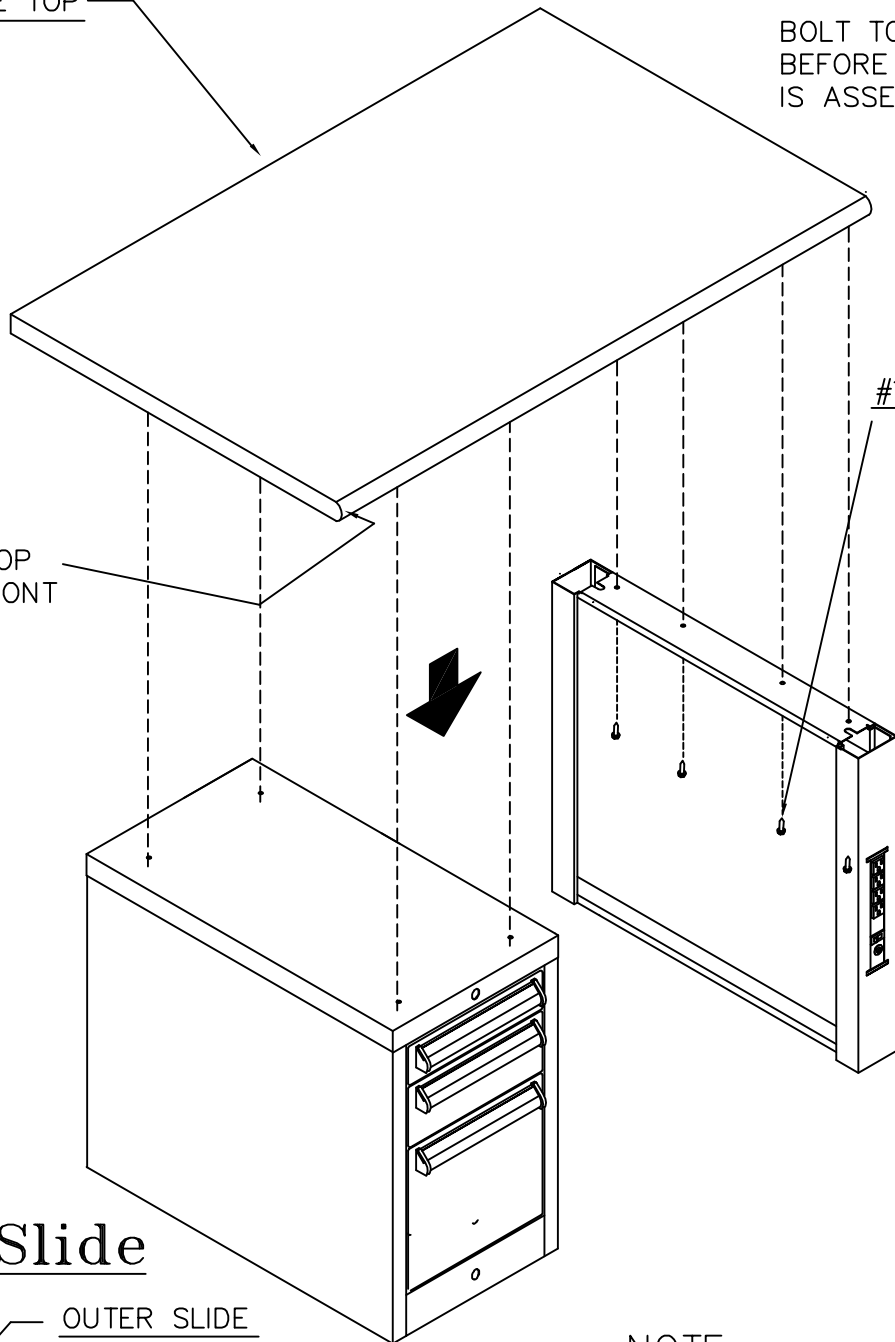
NOTE
THE ROUNDED EDGE OF TOP IS TO BE TOWARD THE FRONT OF THE BENCH.

NOTE
BOLT WOOD TOP TO THE LEG WITH #13156 SCREW.

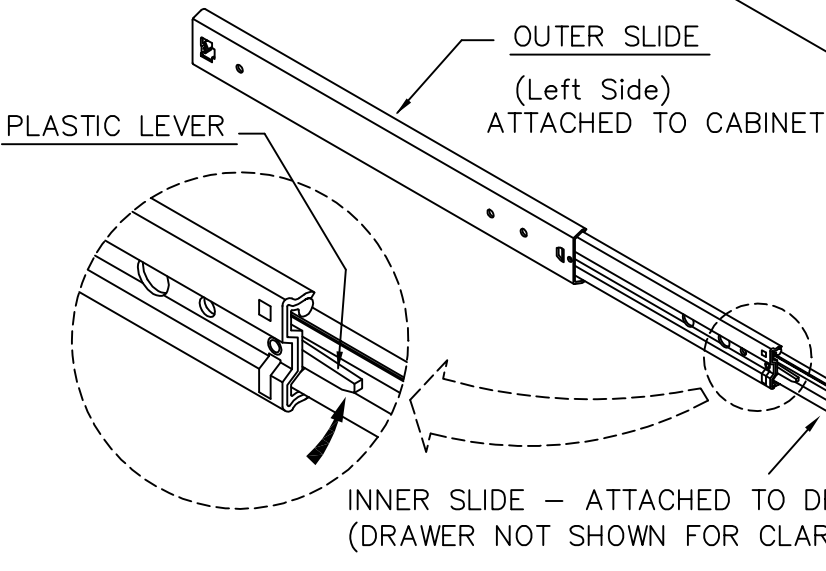
REMOVE DRAWERS FROM CABINET & USE #13156 SCREW TO BOLT TOP TO CABINET

TO REMOVE DRAWERS, SEE DISASSEMBLE SLIDE INSTRUCTIONS BELOW

#13156 SCREW



Disassemble Slide

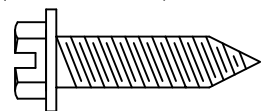


NOTE:

(SEE PAGE 16)

TO DISASSEMBLE THE SLIDE, EXTEND IT AS FAR AS IT GOES AND PULL PLASTIC LEVER UP FOR LEFT HAND SLIDE AND PUSH IT DOWN FOR THE RIGHT HAND SLIDE. AFTER ACTUATING THE PLASTIC LEVER, SLIDE INNER SLIDE OUT.

#13156 HEX HEAD (4 PER LEG)



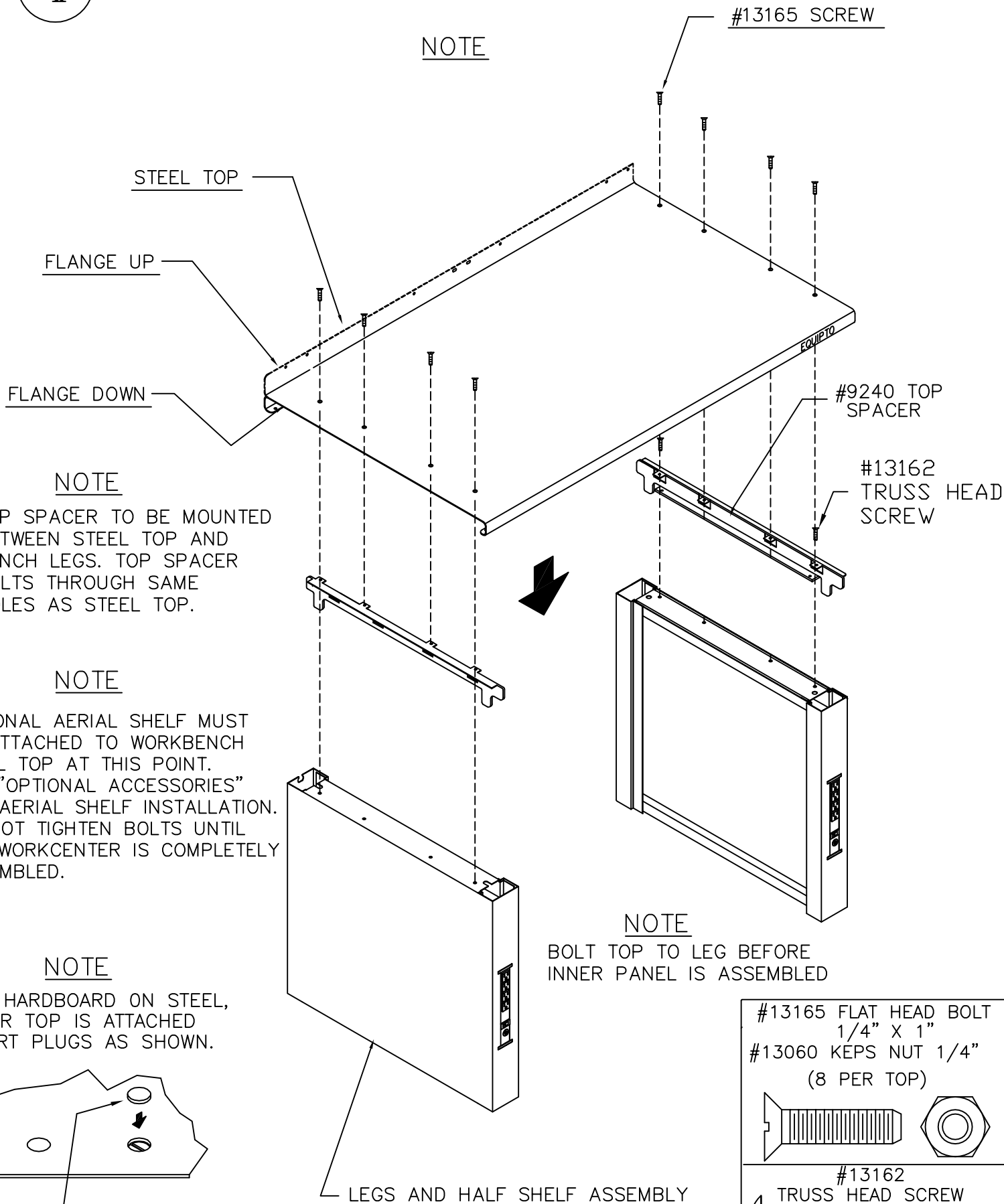
FULL SCALE

Step

4

STEEL TOP ASSEMBLY

NOTE



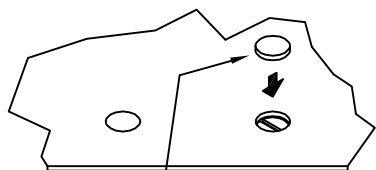
NOTE
TOP SPACER TO BE MOUNTED BETWEEN STEEL TOP AND BENCH LEGS. TOP SPACER BOLTS THROUGH SAME HOLES AS STEEL TOP.

NOTE

OPTIONAL AERIAL SHELF MUST BE ATTACHED TO WORKBENCH STEEL TOP AT THIS POINT. SEE "OPTIONAL ACCESSORIES" FOR AERIAL SHELF INSTALLATION. DO NOT TIGHTEN BOLTS UNTIL THE WORKCENTER IS COMPLETELY ASSEMBLED.


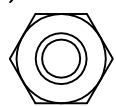
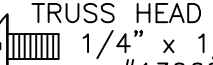

NOTE

FOR HARDBOARD ON STEEL, AFTER TOP IS ATTACHED INSERT PLUGS AS SHOWN.



#10206-3/4" DIA. PLUG

NOTE
BOLT TOP TO LEG BEFORE INNER PANEL IS ASSEMBLED

#13165 FLAT HEAD BOLT 1/4" X 1"		
#13060 KEPS NUT 1/4" (8 PER TOP)		
#13162 TRUSS HEAD SCREW 1/4" X 1/2"		
#13060 1/4" - 20 HEX NUT		

Step

5

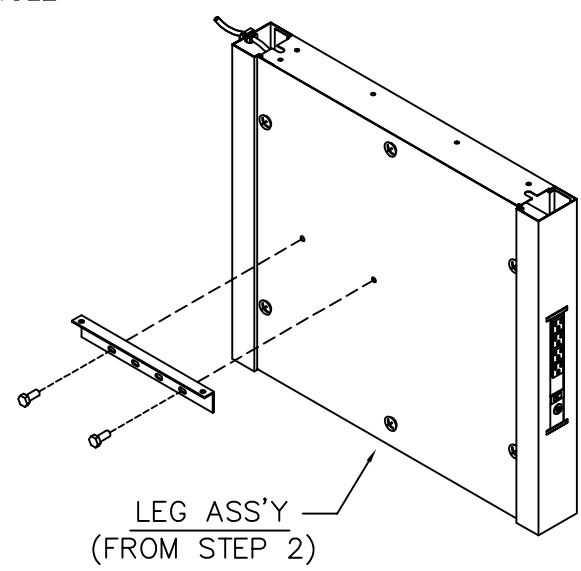
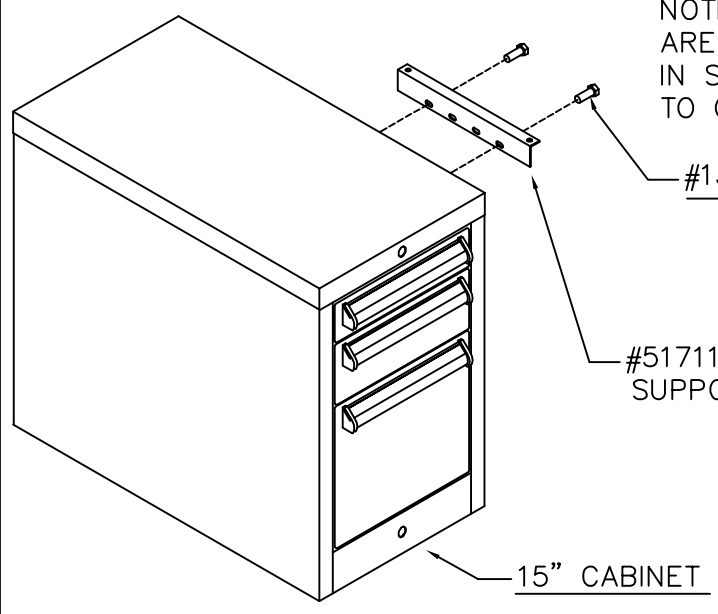
HALF SHELF ASSEMBLY

5a) SHELF SUPPORT ANGLE INSTALLATION

NOTE:

INSTALL SHELF SUPPORT ANGLE TO INNER PANEL. INNER PANEL ATTACHES TO LEG AFTER BENCH TOP HAS BEEN INSTALLED.

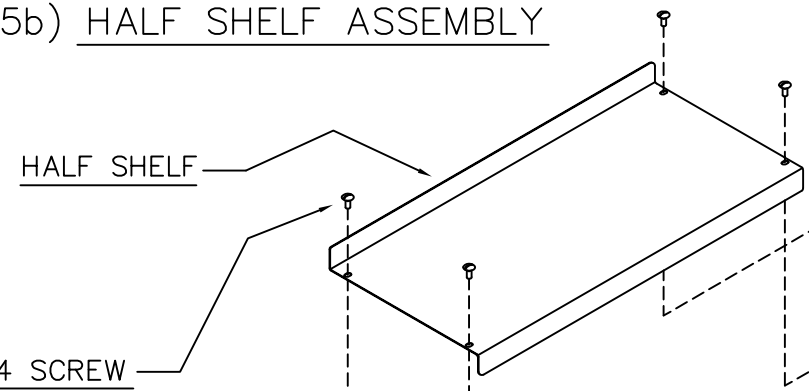
NOTE: WHILE DRAWERS ARE OUT OF THE CABINET IN STEP 3, MOUNT ANGLE TO CABINET



5b) HALF SHELF ASSEMBLY

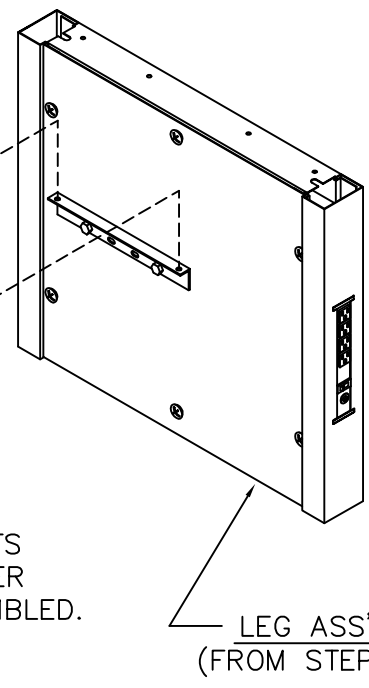
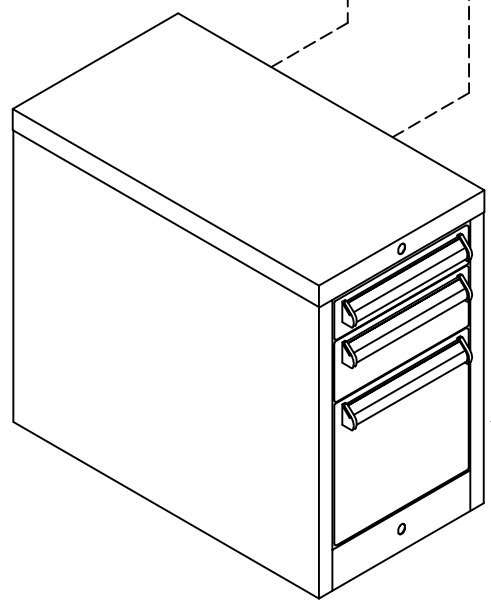
HALF SHELF

#13154 SCREW

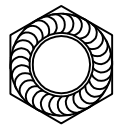
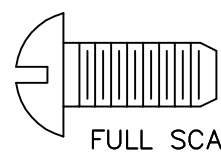


NOTE:

DO NOT TIGHTEN BOLTS UNTIL THE WORKCENTER IS COMPLETELY ASSEMBLED.

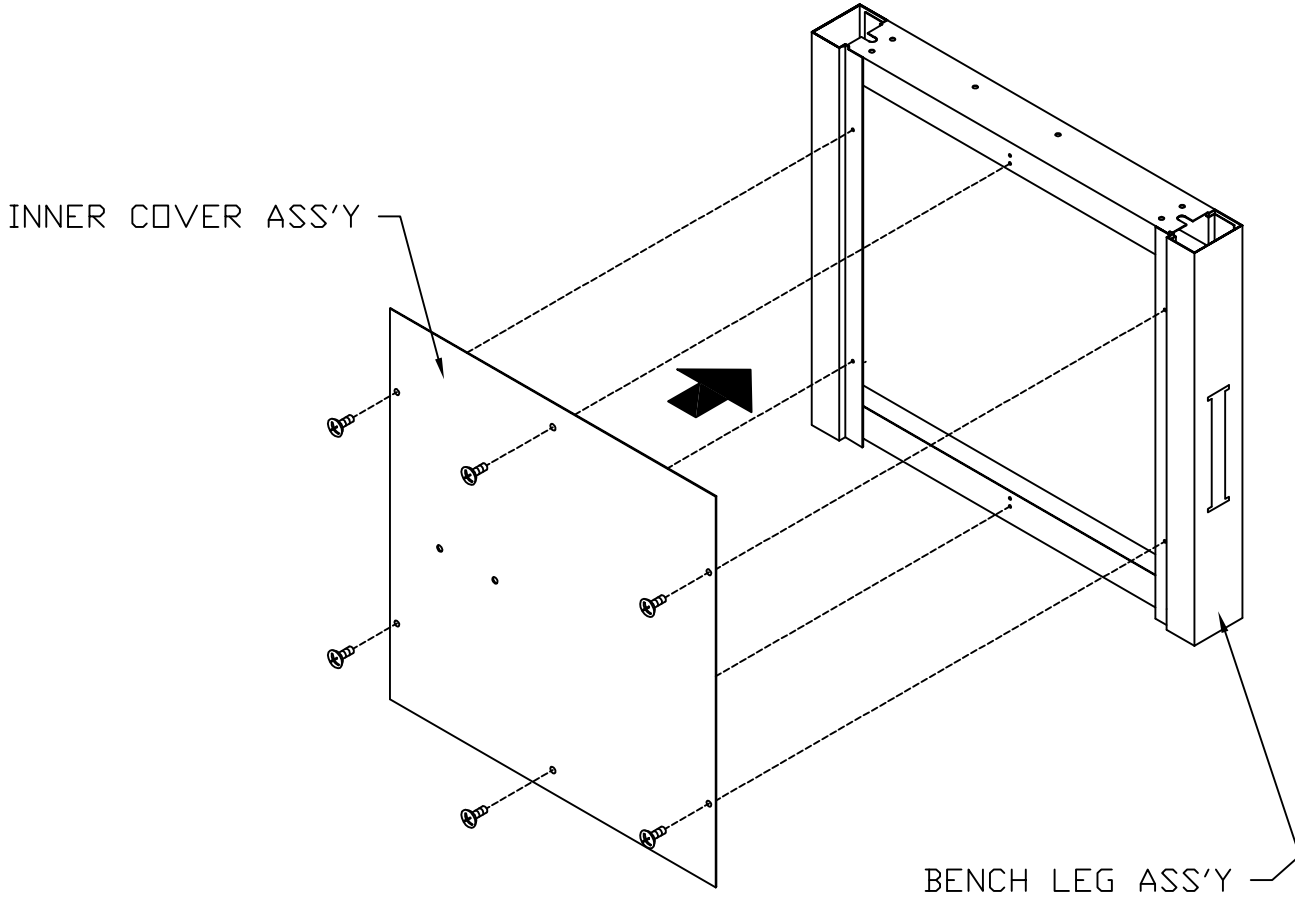


- #13154 TRUSS HD MACH SCREW
5/16" X 3/4"
- #13051 TWIN WHIZZ LOCKNUT
5/16" - 18
(8 PER SHELF)



Step

6 INNER COVER ASSEMBLY



NOTE:

TO CHANGE A LEG FROM THE RIGHT SIDE TO THE LEFT, PUT LEVELING SCREWS ON TOP OF THE LEG AND FLIP 180 DEGREES.

#13005
THREAD CUT. SCREW
#10-24 x 1/2"
#921310H WASHER
(6 PER COVER)

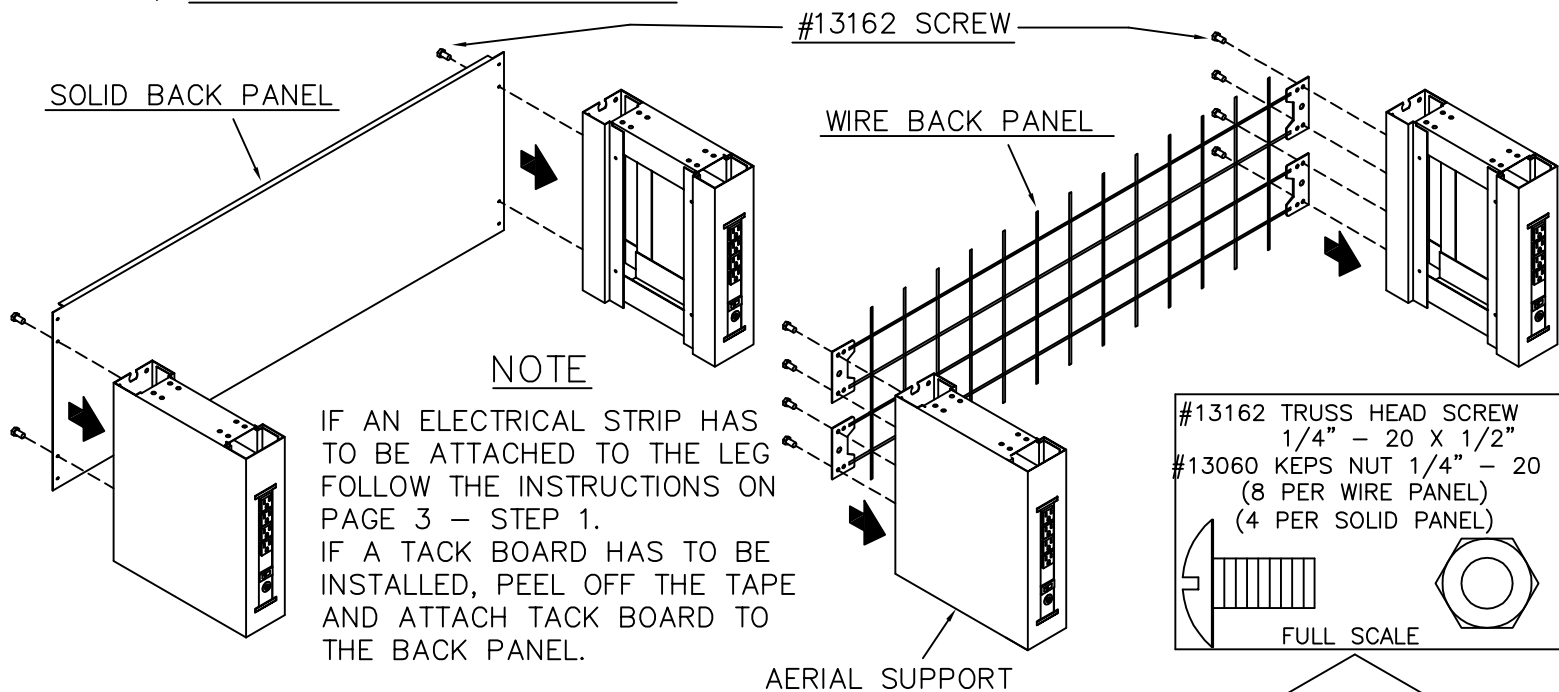


FULL SCALE

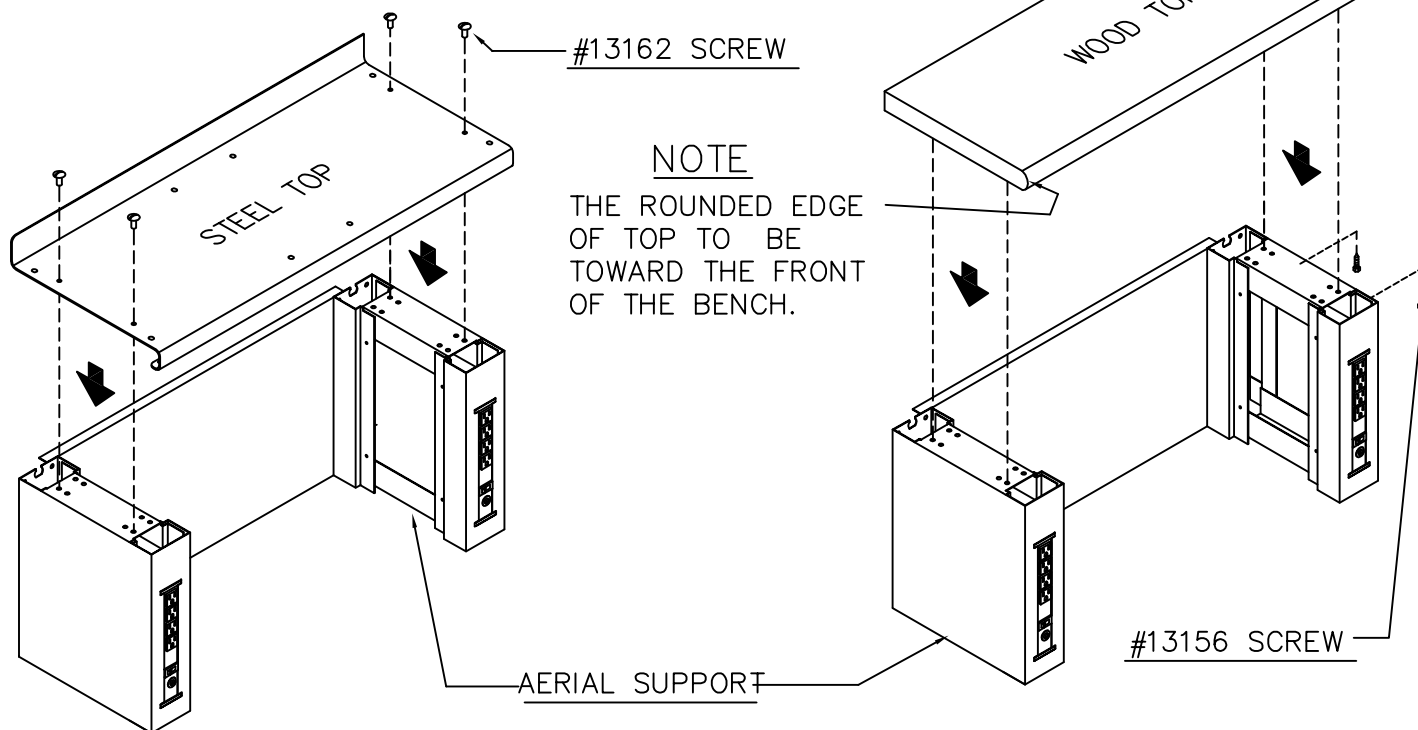
OPTIONAL ACCESSORIES

1. AERIAL SHELF ASSEMBLY

1a) BACK PANEL ASSEMBLY



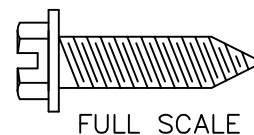
1b) SHELF ASSEMBLY



#13162 TRUSS HEAD SCREW
 1/4" - 20 X 1/2"
#13060 KEPS NUT 1/4" - 20
 (4 PER SHELF)



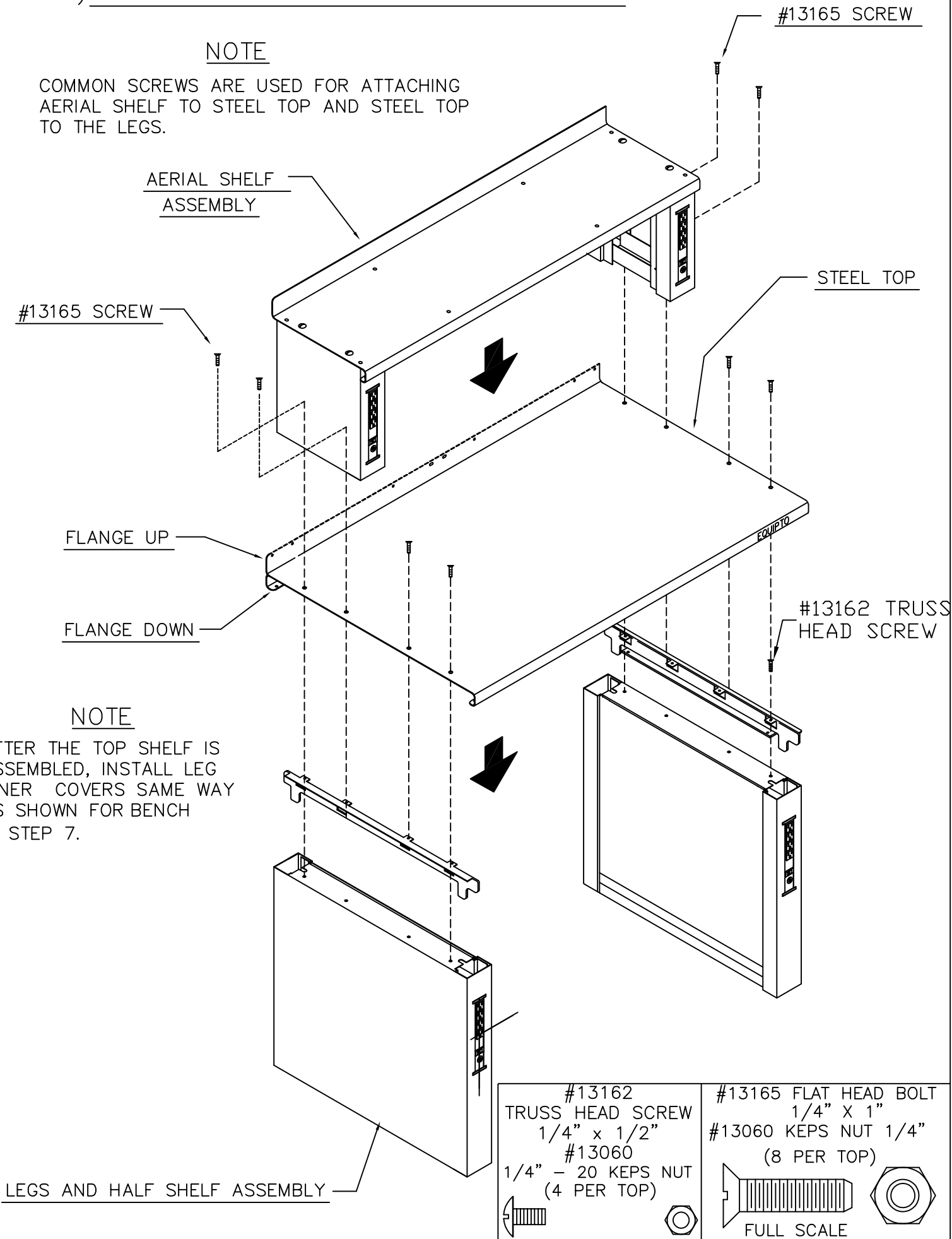
#13156 HEX WASHER HEAD TAPPING SCREW
 1/4" - 14 X 1"
 (4 PER TOP)



1c) ATTACHING AERIAL SHELF TO STEEL TOP

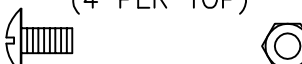

NOTE

COMMON SCREWS ARE USED FOR ATTACHING AERIAL SHELF TO STEEL TOP AND STEEL TOP TO THE LEGS.

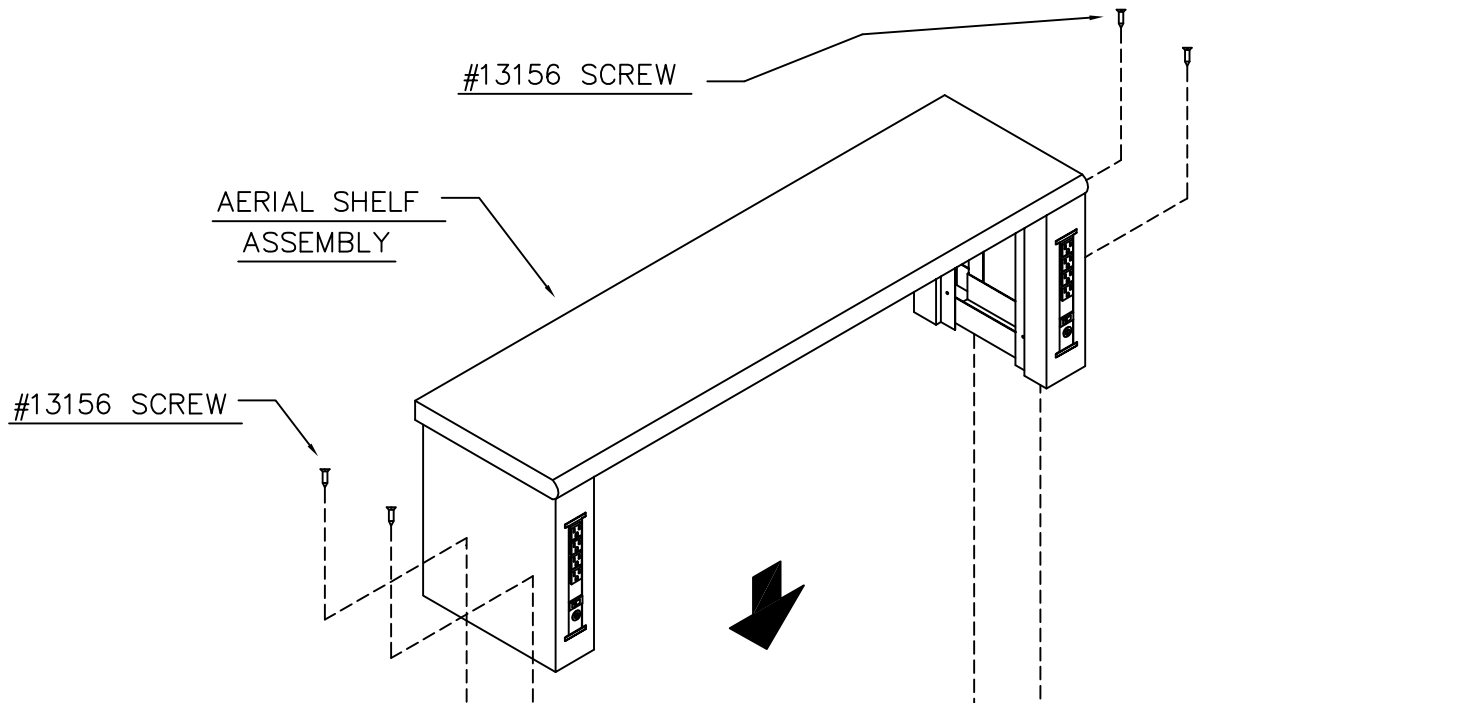


NOTE

AFTER THE TOP SHELF IS ASSEMBLED, INSTALL LEG INNER COVERS SAME WAY AS SHOWN FOR BENCH IN STEP 7.

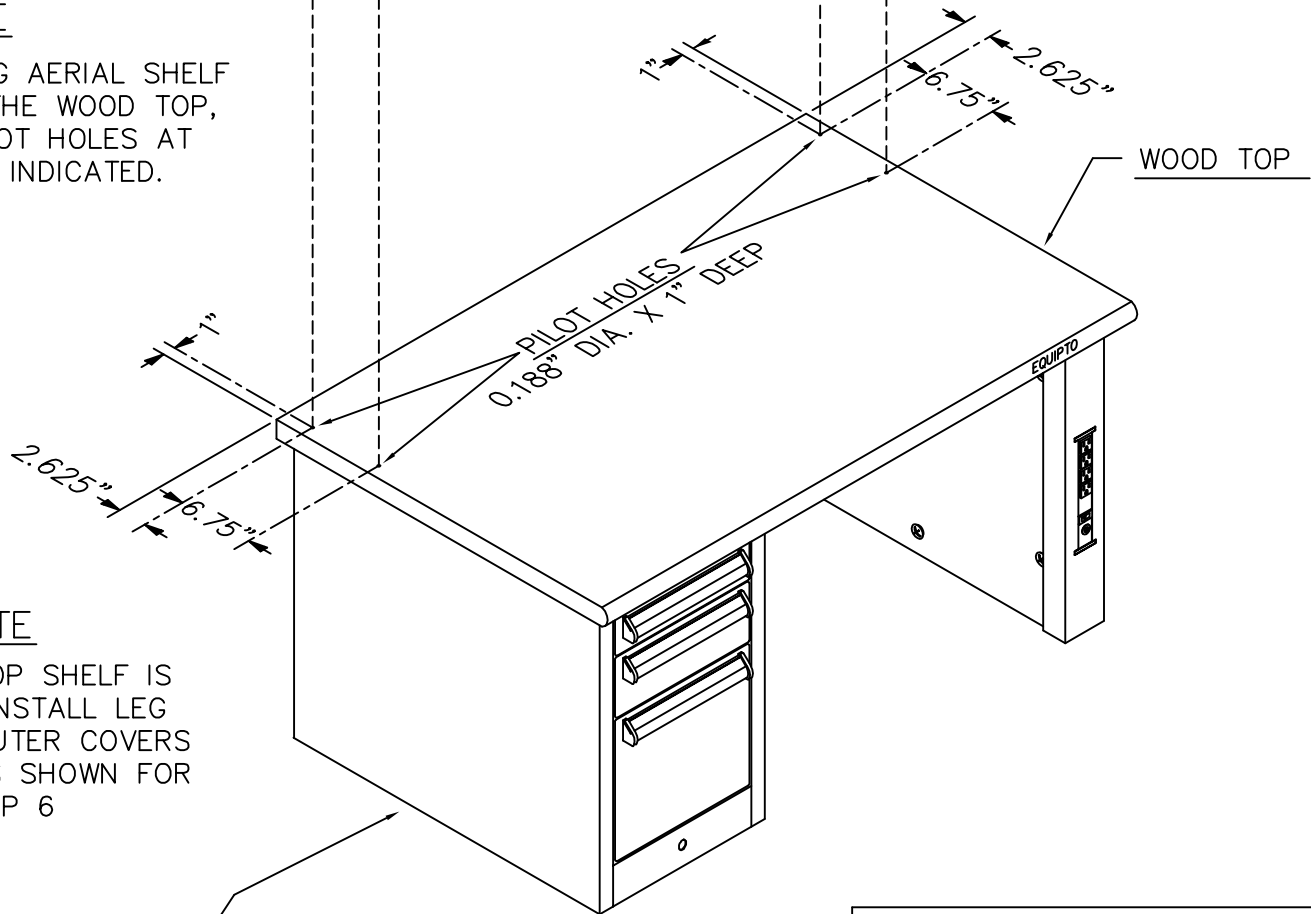
<p>#13162 TRUSS HEAD SCREW 1/4" x 1/2" #13060 1/4" - 20 KEPS NUT (4 PER TOP)</p> 	<p>#13165 FLAT HEAD BOLT 1/4" X 1" #13060 KEPS NUT 1/4" (8 PER TOP)</p>  <p>FULL SCALE</p>
---	---

1d) ATTACHING AERIAL SHELF TO WOOD TOP



NOTE

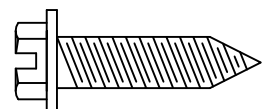
BEFORE BOLTING AERIAL SHELF ASSEMBLY TO THE WOOD TOP, DRILL FOUR PILOT HOLES AT THE LOCATIONS INDICATED.



NOTE

AFTER THE TOP SHELF IS ASSEMBLED, INSTALL LEG INNER AND OUTER COVERS SAME WAY AS SHOWN FOR BENCH IN STEP 6

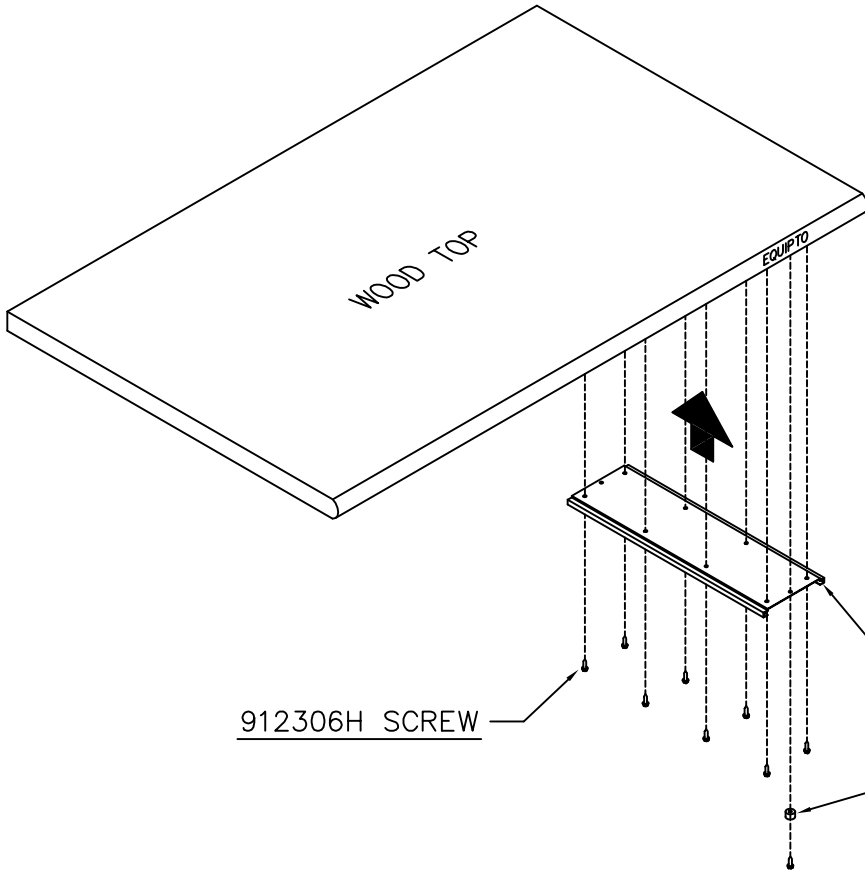
#13156 HEX WASHER HEAD TAPPING SCREW
1/4" - 14 x 1"
(4 PER ASSEMBLY)



FULL SCALE

2. KEYBOARD ASSEMBLY

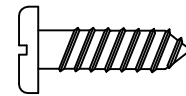
2a) SLIDE ASSEMBLY



NOTE

BEFORE BOLTING SLIDE TO THE WOOD TOP, DRILL NINE PILOT HOLES AT THE DESIRED LOCATION. TIGHTEN SCREWS SECURELY.

#912306H PAN HD SHT MET SCREW
 #10 - 3/4"
 (8 PER SLIDE)
 (1 PER RUBBER BUMPER)



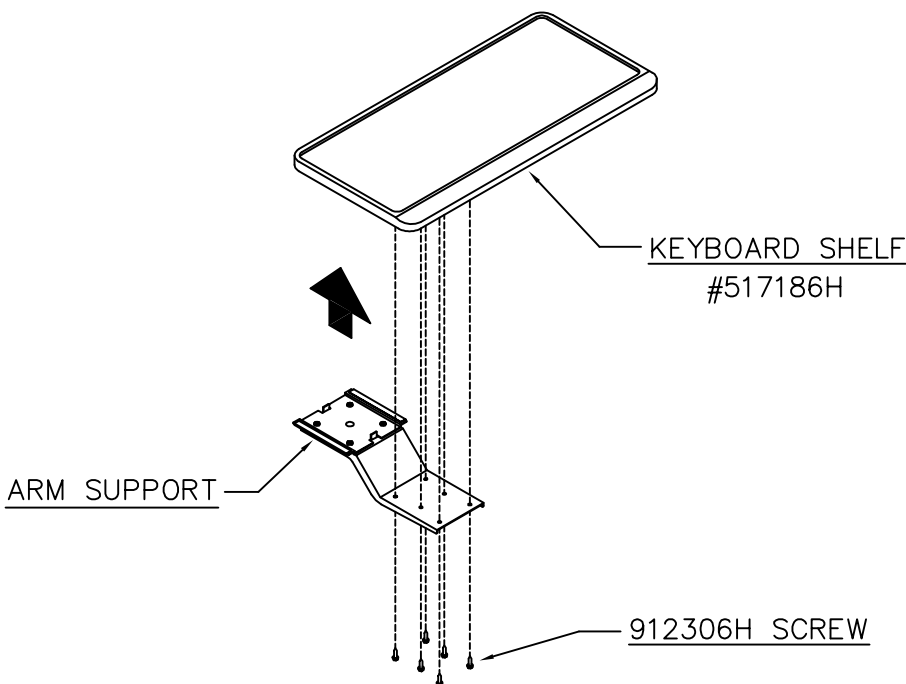
FULL SCALE

SLIDE-#517185H (Includes Arm Support)

912306H SCREW

RUBBER BUMPER
#974105HB

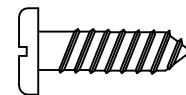
2b) ARM SUPPORT ASSEMBLY



NOTE

BOLT ARM SUPPORT IN THE MIDDLE OF THE KEYBOARD SHELF IN THE PRE DRILLED HOLES. TIGHTEN ALL SCREWS SECURELY.

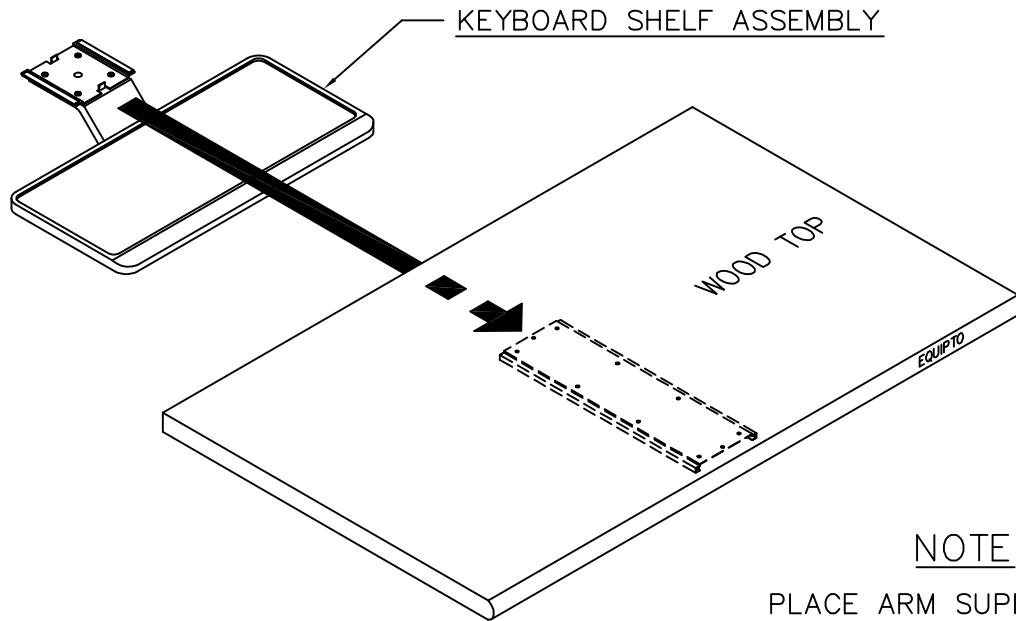
#912306H PAN HD SHT MET SCREW
 #10 - 3/4"
 (6 PER ARM SUPPORT)



FULL SCALE

912306H SCREW

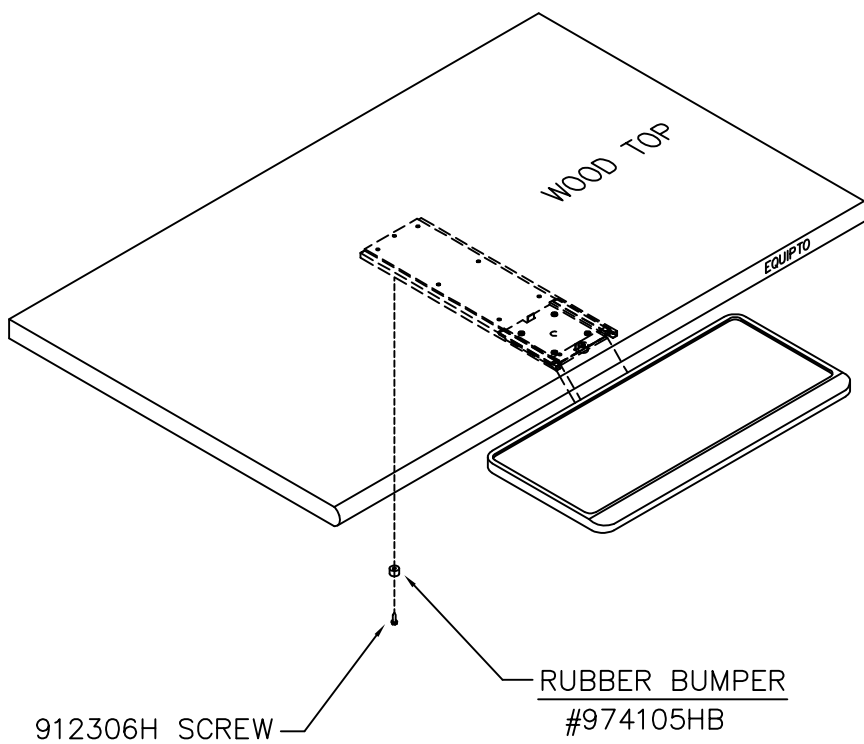
2c) KEYBOARD SHELF INSTALLATION



NOTE

PLACE ARM SUPPORT INTO THE SLIDE AND SLIDE IT FORWARD AS FAR AS IT GOES.

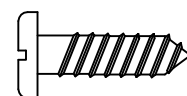
2d) REAR BUMPER ASSEMBLY



NOTE

INSTALL REAR BUMPER AS SHOWN. TIGHTEN SCREW SECURELY.

#912306H PAN HD SHT MET SCREW
#10 - 3/4"
(1 PER BUMPER)

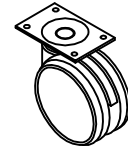
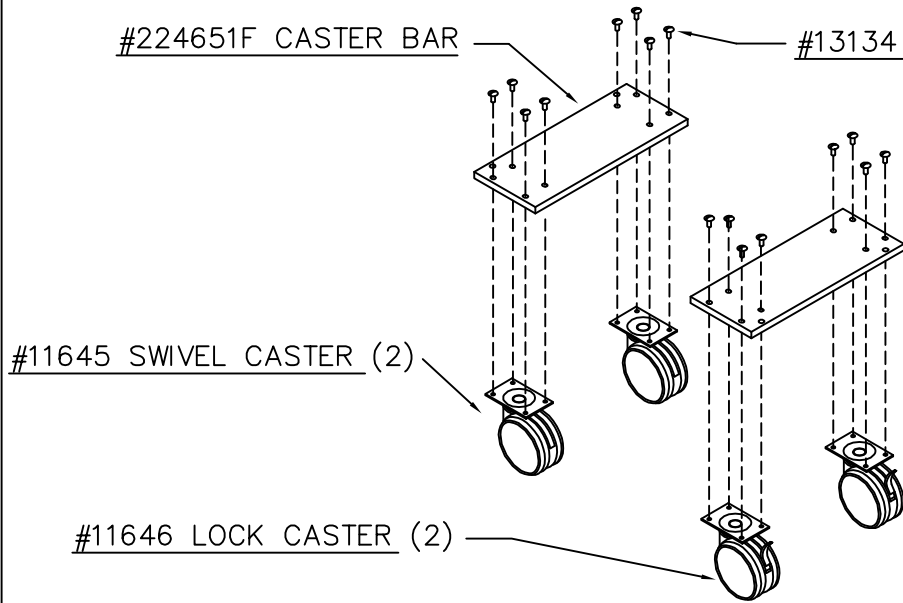


FULL SCALE

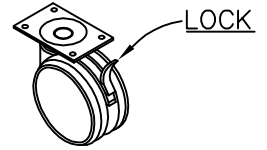
3. MOBILE WHEEL KIT ASSEMBLY

3a) CASTER BAR ASSEMBLY

#224651F CASTER BAR #13134 SCREW



#11645
SWIVEL
CASTER
(NO LOCK)



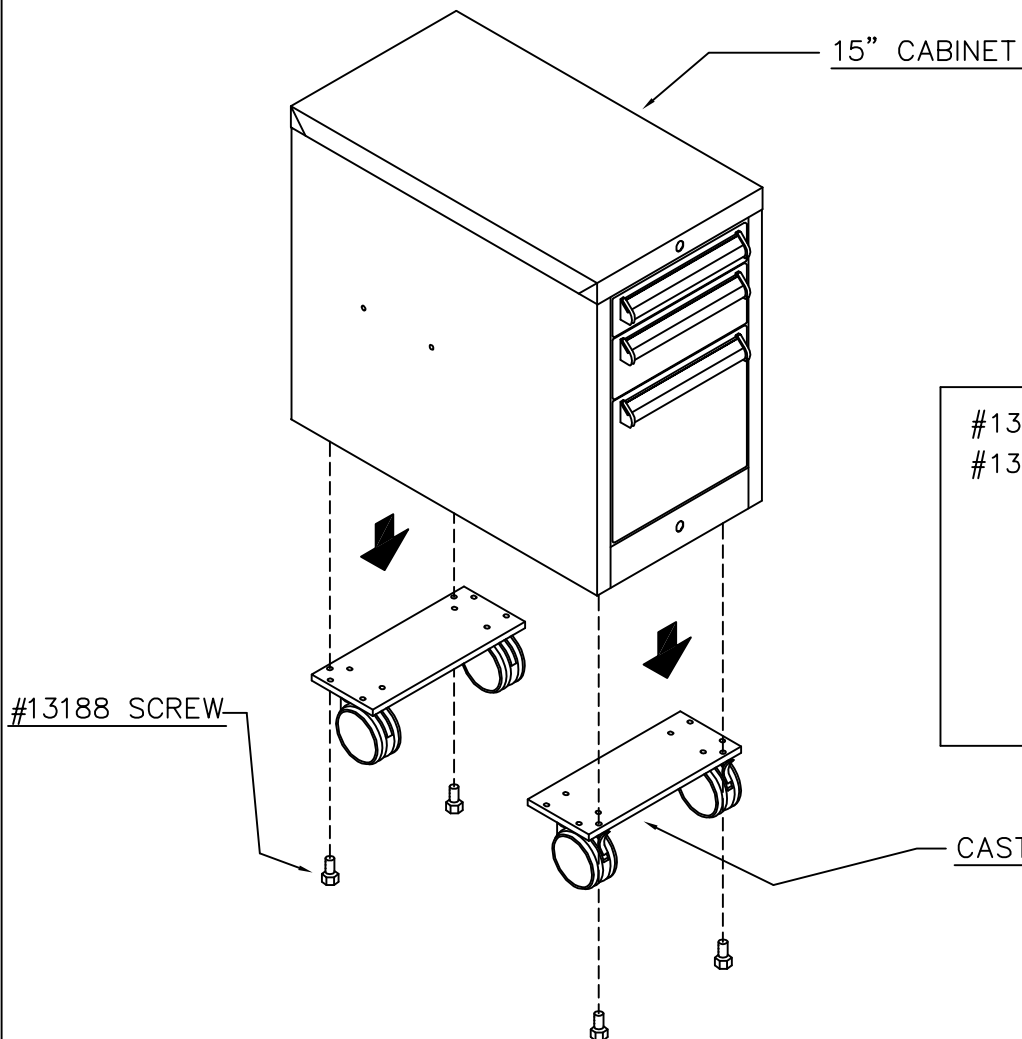
#11646
SWIVEL
CASTER
(WITH LOCK)

#13134 PHIL. TRUSS HD SCREW
#10-24 X 1/2"

#13061 KEPS SHAKEPROOF NUT
(4 PER CASTER)

FULL SCALE

3b) CABINET ASSEMBLY



NOTE

THIS MOBILE WHEEL KIT IS USED TO MOBILIZE ANY EQUIPTOFLEX CABINET.

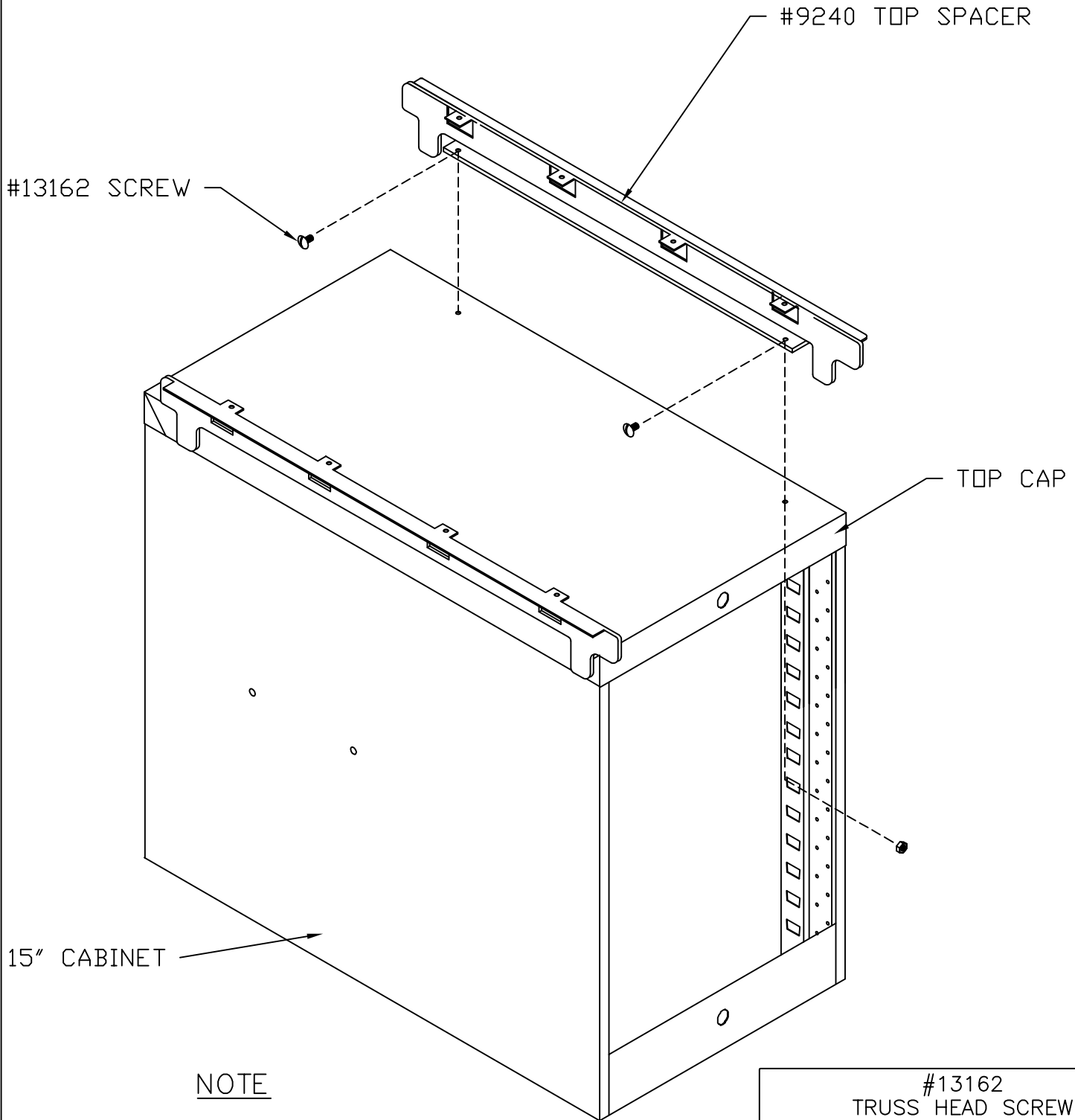
#13188 HEX HEAD BOLT 3/8"-16 x 3/4"

#13182 SPRING LOCKWASHER 3/8"

(2 PER CASTER BAR ASS'Y)

FULL SCALE

4. SPACER FOR STEEL TOP



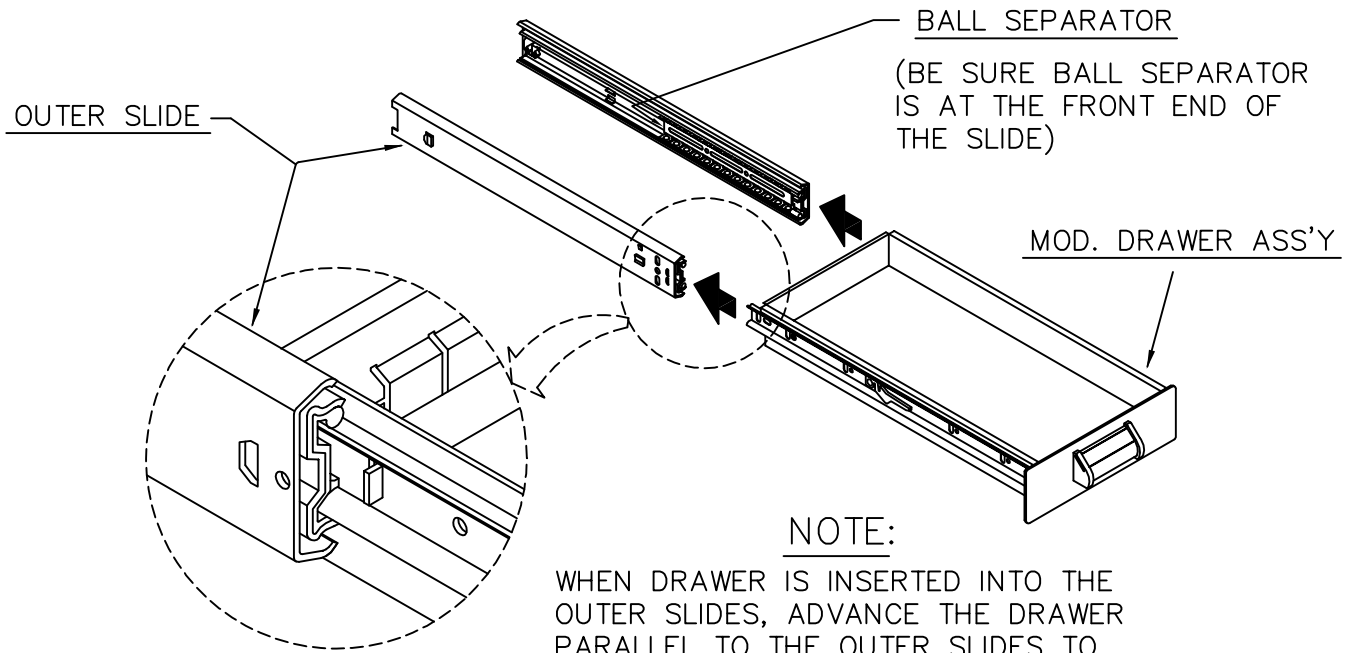
NOTE

IF A STEEL TOP IS INSTALLED ON THE TOP OF A 15" CABINET, A SPACER HAS TO BE MOUNTED ON THE CABINET AND REMOVE THE TOP DRAWER. ASSEMBLE THE SPACER WITH #13162 SCREWS ON THE TOP CAP FLANGE AS SHOWN. TIGHTEN ALL HARDWARE SECURELY.

- #13162
TRUSS HEAD SCREW
1/4" x 1/2"
- #13060
1/4" - 20 HEX NUT
(4 PER SPACER)

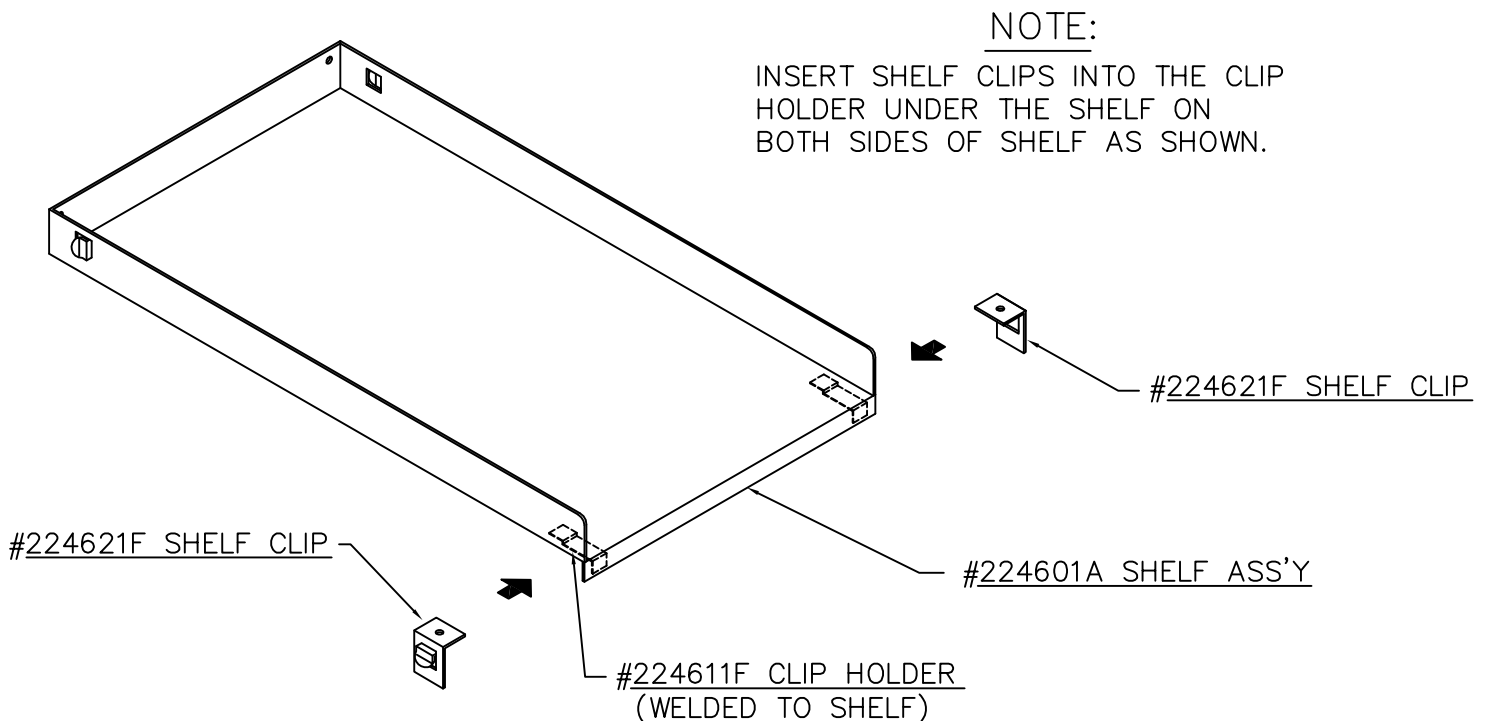


DRAWER AND SLIDE ASSEMBLY



OPTIONAL SHELF INSTALLATION

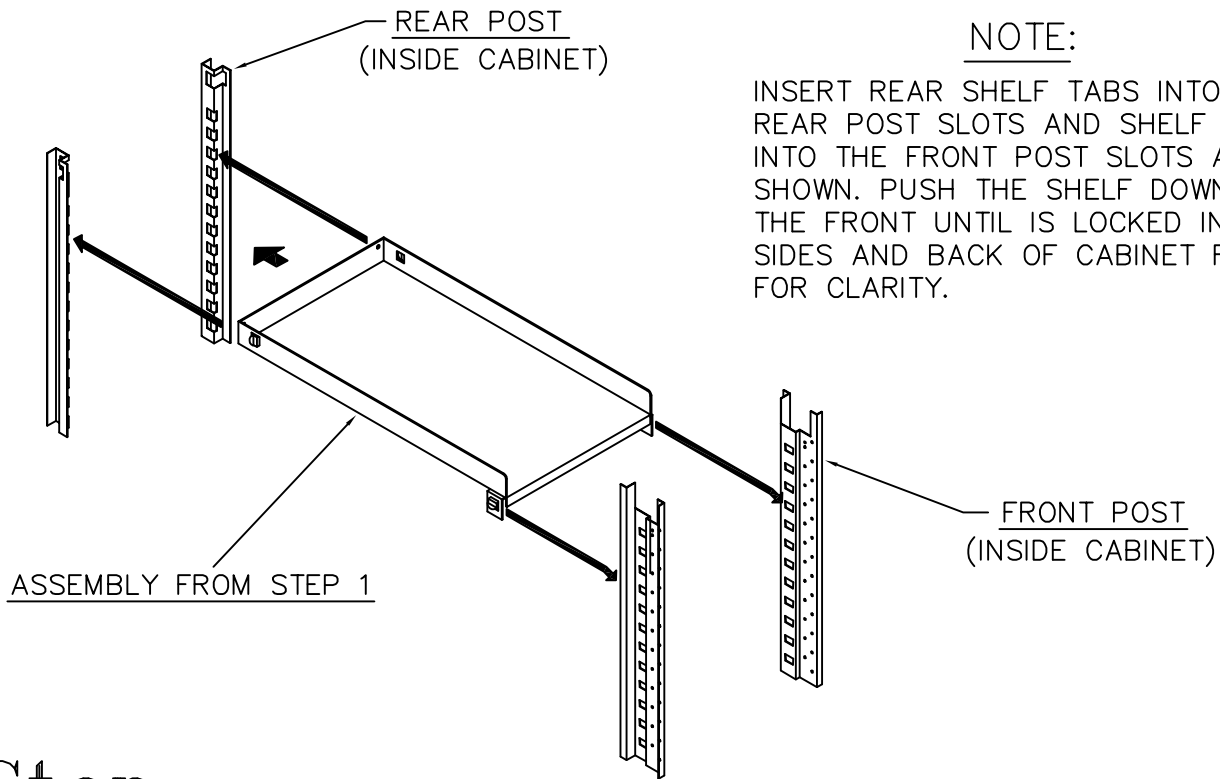
Step 1 SHELF CLIP INSTALLATION



Step

2

SHELF INSTALLATION



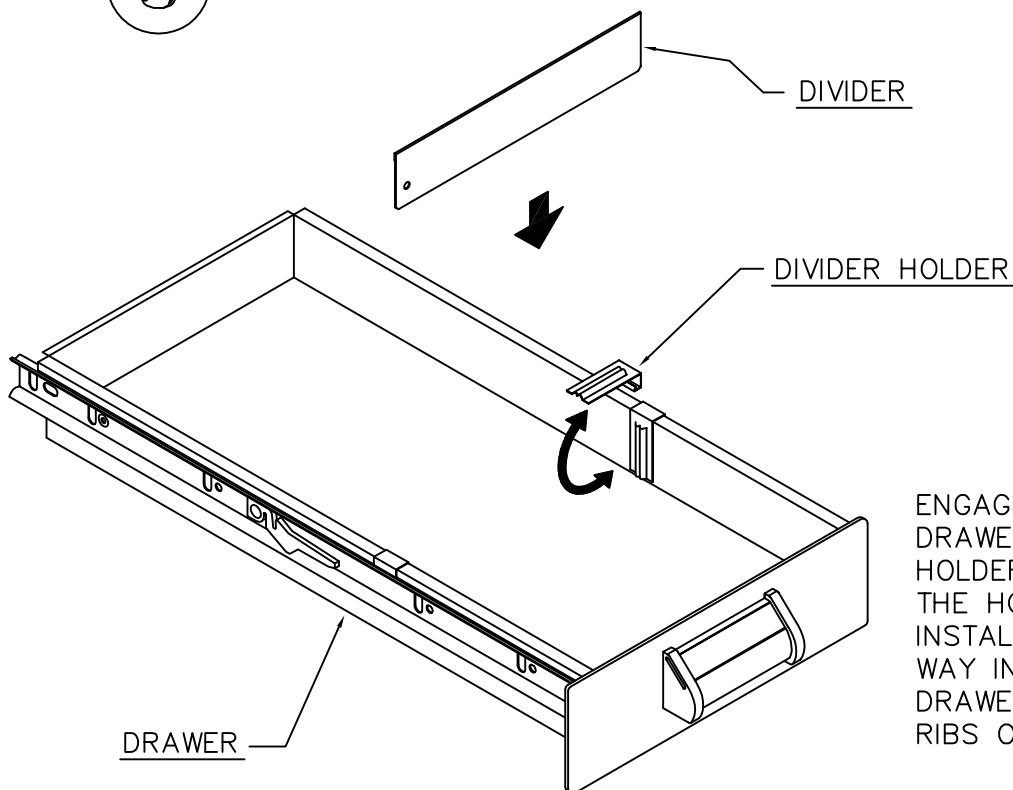
NOTE:

INSERT REAR SHELF TABS INTO THE REAR POST SLOTS AND SHELF CLIPS INTO THE FRONT POST SLOTS AS SHOWN. PUSH THE SHELF DOWN IN THE FRONT UNTIL IS LOCKED IN PLACE. SIDES AND BACK OF CABINET REMOVED FOR CLARITY.

Step

3

DIVIDER INSTALLATION



NOTE:

ENGAGE DIVIDER HOLDER FLANGE WITH DRAWER FLANGE AND ROTATE DIVIDER HOLDER DOWNWARD, AS SHOWN, UNTIL THE HOLDER IS LOCKED IN PLACE. INSTALL ANOTHER HOLDER IN THE SAME WAY IN THE OTHER SIDE OF THE DRAWER. INSERT DIVIDER BETWEEN THE RIBS OF HOLDERS.

EQUIPTOFLEX PARTS LIST

Cabinet Frames		
24 1/2"	Left Hand	224810AL
24 1/2"	Right	224810AR
29"	Left Hand	224811AL
29"	Right	224811AR
34"	Left Hand	224812AL
34"	Right	224812AR

Leg Assembly		
24 1/2"	Electrical	517034A
24 1/2"	Non-Elec	517031A
29"	Electrical	517035A
29"	Non-Elec	517032A
34"	Electrical	517036A
34"	Non-Elec	517033A

Leg Cover Panel	
24 1/2"	517091A
29"	517092A
34"	517093A

Drawers	
3"	541-10
4 1/2"	542-15
6"	543-20
12"	547-40

Aerial Shelf Supports		
	14"Hx12"D	24"Hx15"D
Electrical	517132A	517134A
Non-Elec	517131A	517133A
SideCover	517138F	517139F

Modesty Panels			
	4" Wide	5" Wide	6" Wide
24 1/2"H	517261A	517264A	517267A
29" High	517262A	517265A	517268A
34" High	517263A	517266A	517269A

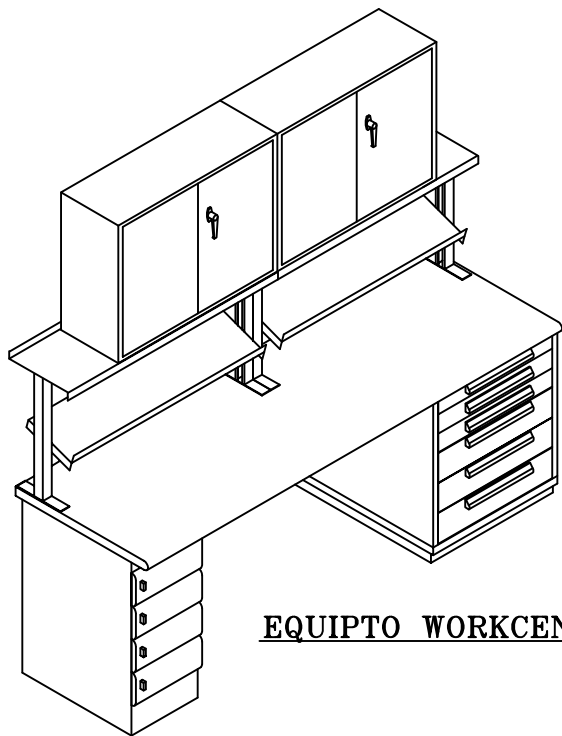
Shelves			
	2 Cabinet	2 Legs	Cab, Leg
4'	517141F	517145F	517142F
5'	517144F	517148F	517145F
6'	517147F	517149F	517148F

Aerial Back Panels			
	14" High	24" High	14" Wire
4'	517175F	517275F	517204A
5'	517176F	517276F	517205A
6'	517177F	517277F	517206A

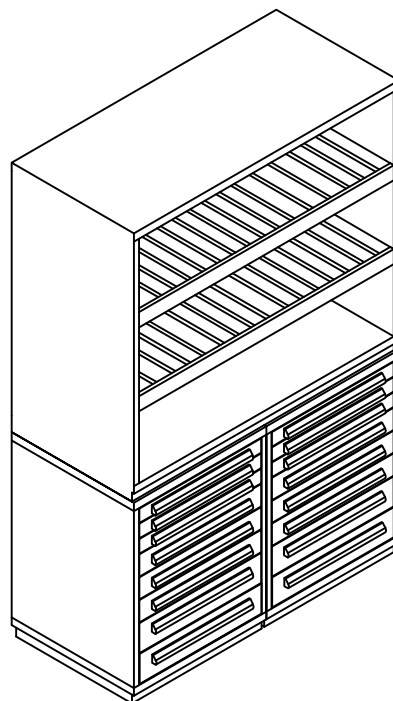
Bench Tops			
	4'	5'	6'
Ash	12338	12339	12340
Bonded	12347	12348	12349
Plastic	12368	12369	12370
Conductive	12312	12305	12306
Steel	11479	11480	11481
*Masonite	441U4M	441U5M	441U6M
*Steel w/Masonite installed by factory			

Aerial Shelf Top			
13 1/2"D	4'	5'	6'
Plastic	517192H	517193H	517194H
Conductive	517189H	517190H	517191H
Steel	6157	6159	6161
16 1/2"D	4'	5'	6'
Plastic	517292H	517293H	517294H
Conductive	517289H	517290H	517291H

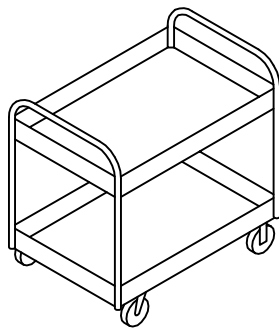
OTHER EQUIPTO PRODUCTS



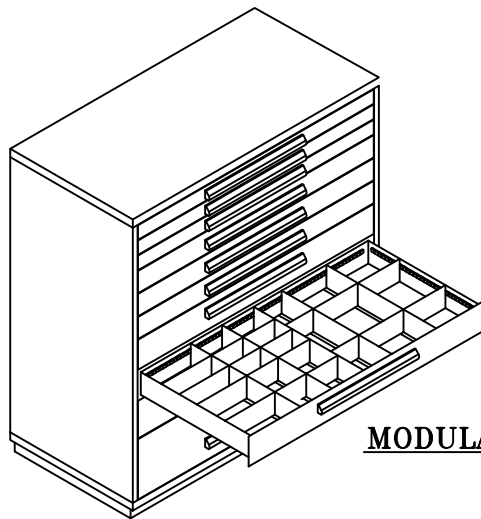
EQUIPTO WORKCENTER



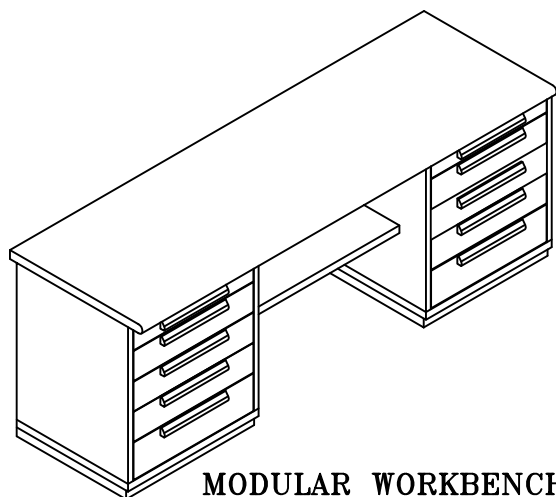
MODULAR CABINET AND
COUNTER CABINET



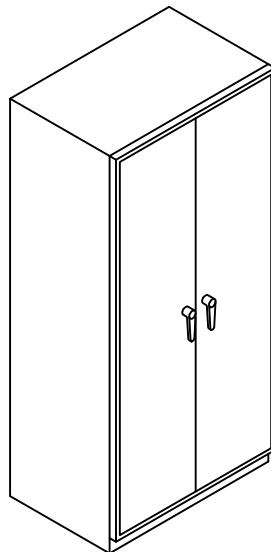
STOCK TRUCK



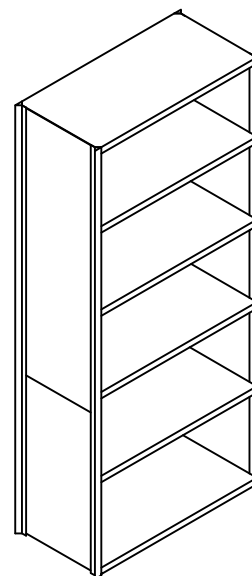
MODULAR DRAWER CABINET



MODULAR WORKBENCH



STORAGE CABINET



V-GRIP SHELVING